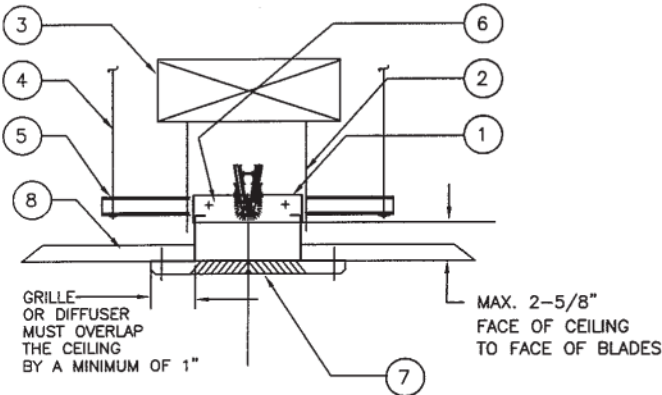




2700 Series

Ceiling Radiation Damper

Standard Installation Instructions



General Install Instructions

Models 2701 or 2702 (Rectangular – Fig 1A) Rated 3 hr or less
Models 2750/2751 (Round – Fig 1B) Rated 3 hr or less

1. Ceiling Radiation Damper
2. Steel duct drop
3. Branch duct
4. 12 SWG hanger wires (4) min. required
5. Steel support channels
6. Mounting fasteners (bolts, screws, rivets)
7. Mounted steel grille or diffuser
8. Ceiling: acoustical panel (lay-in), acoustical tile or gypsum wallboard
 Bearing the UL Classification Marking

These ceiling dampers are Classified by Underwriters Laboratories, Inc. as to heat barriers in the Fire Resistance Directory under the category of Ceiling Dampers (CABs). Refer to the classification information in the back of the Fire Resistance Directory Regarding the use of these dampers in the various floor-ceiling or roof-ceiling assemblies. Ceiling dampers and associated components (surface mounted diffusers or grilles, ducts, etc.) which are to be constructed of steel, are installed in the ceiling to maintain the hourly ratings of the floor-ceiling assemblies which are 3 hours or less.

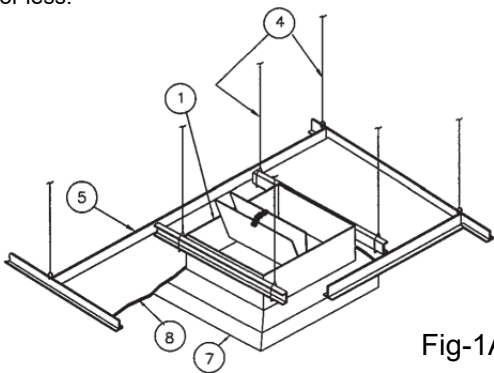


Fig-1A

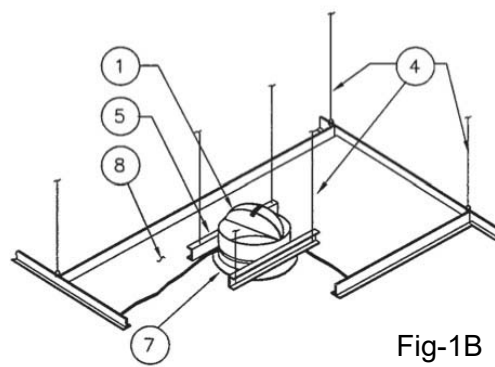


Fig-1B

Installation Instructions:

1. Before installing 2750 or 2751 damper, open the blades and hook the fusible link over the link catch on the opposite blade. Bend down the link catch to secure the link in position.
2. Support the duct with (2) 16 ga. Cold rolled steel support channels, 1-1/2 or 2 inches deep with 1/2 inch flanges. Place the support channels at the bottom of the duct adjacent to both sides of the duct drop. Use 12 SWG galvanized steel hanger wire to independently support channels from structural members of the floor or roof above. All hanger wires shall support directly from the structural members of the floor or the roof by vertical (not diagonal) hanger wires. Cold-rolled channels shall be used as required to insure that the grid and damper are supported from the structural members by vertical hanger wires (not diagonal).
3. Install the ceiling damper in the duct drop using 3/16 inch diameter by 1/2 inch long steel bolts, No. 8 by 1/2 inch steel sheet metal screws or 3/16 inch diameter steel rivets at 6 inches O.C. and a minimum of (3) places.
4. The clearance between each side of the ceiling damper and the duct drop shall be 1/8 inch maximum.
5. Maximum size of the 2750 or 2751 is 24 inches in diameter.
6. Duct outlets in lay-in ceilings should be field located in an acoustical ceiling panel or tile. Where it is necessary to cut a main runner or cross tee, each cut end shall be supported by a vertical 12 ga. hanger wire. A 1/2 inch clearance shall be maintained between the duct outlet and each cut end of main runner or cross tee. The duct outlet shall be located so that no more than one main runner or cross tee is cut when penetrating the ceiling membrane.
7. Steel grille or diffuser to be attached to the duct drop or ceiling damper using No. 8 by 1/2 inch long sheet metal screws at 6 inches O.C. and a minimum of (3) places.

Ceiling Damper Size Limitations:

Rectangular Maximum Size: 576 sq. in.
 Round Maximum Size: 452 sq. in.
 Maximum Diameter: 24"
 Minimum Diameter: 4"

**CONFORMING TO
 THE INSTALLATION
 REQUIREMENTS OF
 UL 555C**



APPLIED RESEARCH LABORATORIES (UL555C)
 CLASSIFIED CEILING RADIATION DAMPERS.
 FIRE RESISTENCE RATED 3 HOURS. FOR USE
 IN UL CLASSIFIED BUILDING MATERIALS
 RATED 3 HOURS OR LESS.

104 Montgomery Avenue
 Cle Elum, WA 98922

Tel: (866) 940-0696
 Fax: (509) 674-4420
sm@shoemakermfg.com

visit us online:
www.shoemakermfg.com

