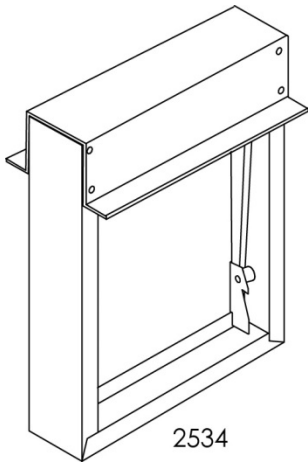




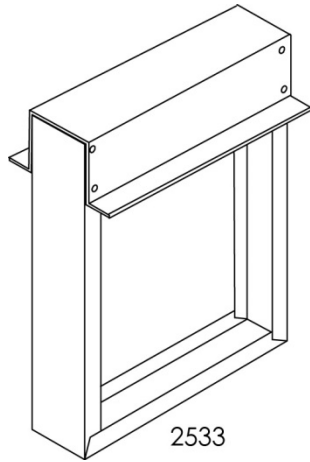
Fire Rated Submittal Sheet

2534 Series

Thin-line Frame 1 ½ Hour Curtain-Type Fire Damper Out-of-Airstream



2534



2533

Model: 2534

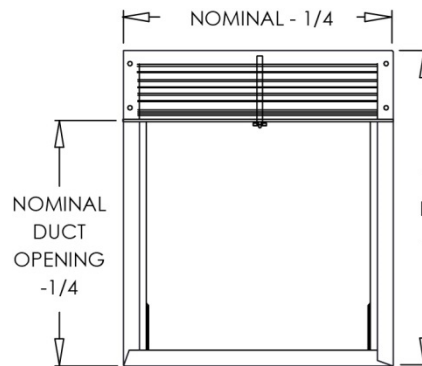
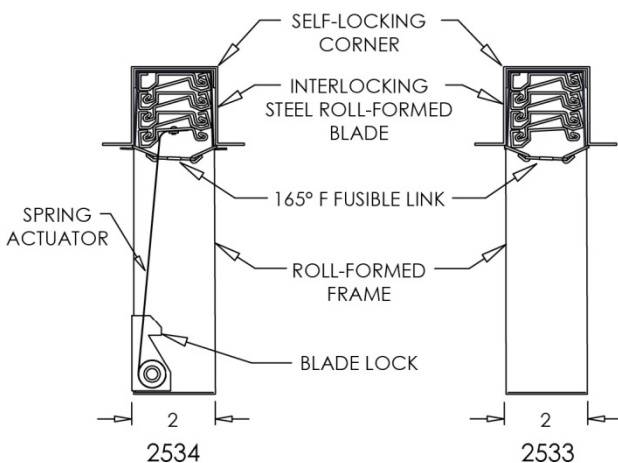
Description: Thin-line Frame 1 ½ Hour Curtain-Type Fire Damper Spring Actuated Out-of-Airstream

Standard Features:

- Square or rectangular spring actuated curtain-type fire damper for vertical or horizontal mount
- 2" thin-line roll formed out-of-airstream frame
- Designed for use in wall, floors, and partitions with fire resistance ratings of 2 hours or less (for ceiling application, see 2700 Series)
- UL listed and tested in accordance with UL Standard 555
- 1 1/2 hour fire resistance rating
- Building materials rated 2 hours or less
- CSFM California State Fire Marshal listed
- Interlocking steel roll-formed blade
- Blade lock
- Damper manufactured from corrosion tested galvanized mild steel (G-90)
- 165° replaceable fusible link
- Maximum one piece size 41" W, 29" H

Options:

- Vertical mount only, maximum one piece size 48" W, 41" H (2533)
- Stainless steel
- Sleeves
- Fractional, exact O.D. dimensions



2533 & 2534 Frame Height	
Duct Size	Height (B)
4" - 7"	+1 3/4"
8" - 12"	+2 3/4"
13" - 17"	+3 3/4"
18" - 24"	+4 3/4"
25" - 28"	+5 3/4"
29" - 34"	+6 3/4"
35" - 41"	+7 3/4"
Note: Duct sizes 30" - 41" available in 2533 only.	

Example: Height (B) for 20" duct would be 24 3/4"

Additional Information:

Project / Location:
Engineer:
Architect:
Contractor:

Submittal Notes