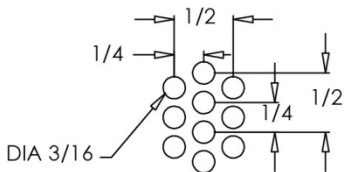
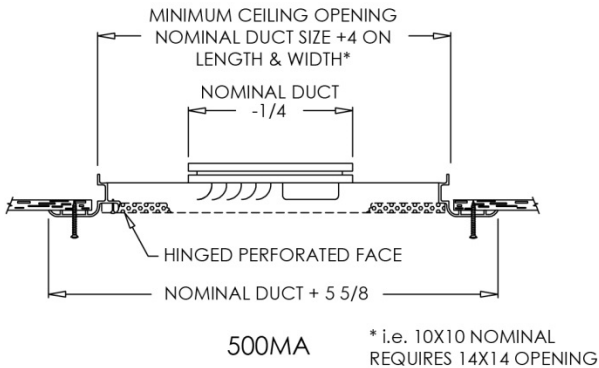
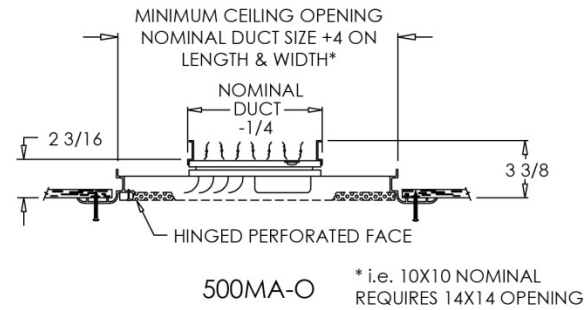
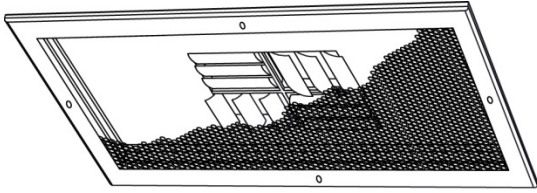




Commercial Submittal Sheet

500MA Series

Perforated Curved Blade Surface Mount Diffuser with Modular Core



Perforated Screen Detail

Model: 500MA

Description: Perforated Curved Blade Surface Mount Diffuser with Modular Core

Standard Features:

- Adjustable modular cores with fixed curved blades
- Extruded aluminum surface mount frame with signature line marks
- Hinged perforated face with screwdriver access to release
- 3/16" holes on 1/4" staggered centers
- Square Collar
- Countersunk mounting holes for flush appearance with color matching Philips posi-drive screws
- Ceiling opening must be 4" larger in length and width than the nominal duct size
- Rust resistant pre-coat with durable powder finish
- Soft White

Options:

- Recessed screwdriver operated Opposed Blade Damper (500MA-0)
- 2" ADC compliant round collar with bead for ease of installation
- T-20 Tamper Proof Screws

Finishes:

Standard Colors

- Soft White
- Driftwood Tan

Designer Colors

- Almond
- Black Velvet
- Bronze
- Camaro Silver
- Coffee Tan
- Navajo White
- Vanilla

Other

- Aluminum Paint
- Glossy White

Additional Information:

Project / Location:	Submittal Notes
Engineer:	
Architect:	
Contractor:	