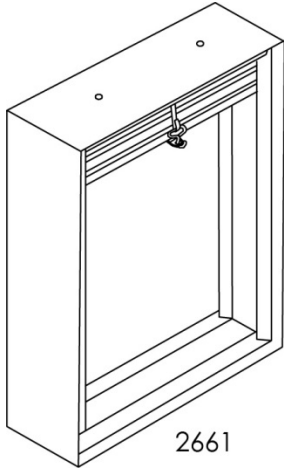




Fire Rated Submittal Sheet

2661 Series

Standard Frame 3 Hour Curtain-Type Fire Damper



Model: 2661

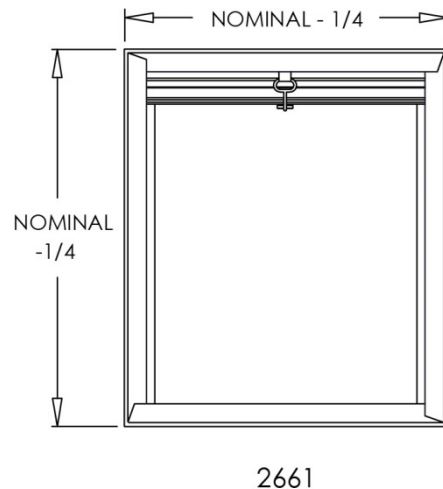
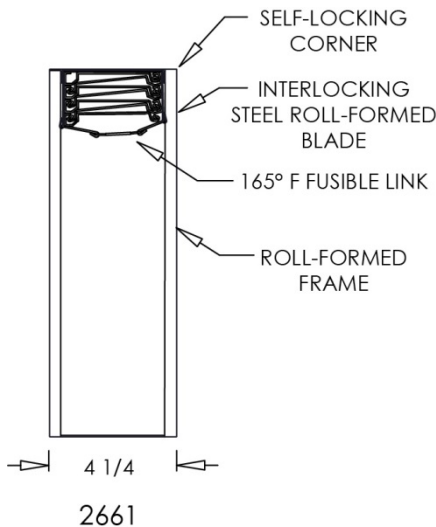
Description: Standard Frame 3 Hour Curtain-Type Fire Damper

Standard Features:

- Square or rectangular curtain-type fire damper for vertical mount
- 4 1/4" standard roll formed frame
- Designed for use in wall, floors, and partitions with fire resistance ratings of 3 hours or less (for ceiling application, see 2700 Series)
- UL listed and tested in accordance with UL Standard 555
- 3 hour fire resistance rating
- Building materials rated 4 hours or less
- CSFM California State Fire Marshal listed
- Interlocking steel roll-formed blade
- Damper manufactured from corrosion tested galvanized mild steel (G-90)
- 165° replaceable fusible link
- Maximum dimensions 60" W, 60" H

Options:

- Stainless steel
- Sleeves
- Fractional, exact O.D. dimensions



Additional Information:

Project / Location:
Engineer:
Architect:
Contractor:

Submittal Notes
