

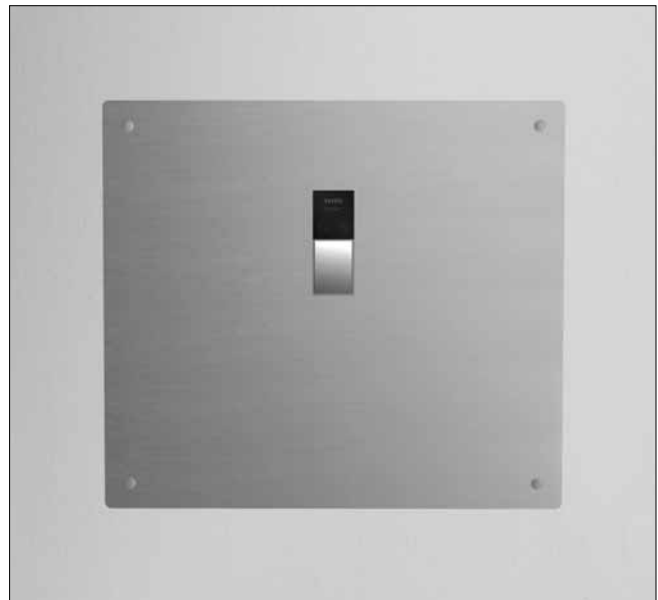
High-Efficiency Urinal EcoPower® Flushometer Valve, 1/8 gpf

FEATURES

- EcoPower® hydropower self-generating system
- Electronic flushometer valve complete with 3/4" angle stop and 3/4" vacuum breaker set
- 1/8 gpf or less
- Back spud - concealed 14" x 12" Cover plate
- 12 hour automatic flush for trap seal protection

MODELS

- TEU2UN#SS
Valve only, Surface mount, Satin finish
- TEU2UN11#SS (3/4" Vacuum breaker)
Back spud, Satin finish
Complete set supplied with:
Vacuum breaker & angle stop set - VB13RB-11
 - 3/4" Angle stop - 10077t6
 - 3/4" Vacuum breaker - 10075t6
 - Outlet tube - TH559EDV171
 - Sweat solder kit - SJ1
- Optional Part:
Z-4000-J - Adapter for ground joint angle stops



COLORS/FINISHES

- #SS Stainless Steel

CODES/STANDARDS (to be listed)

- Meets or exceeds ASSE 1037, CSA B125.3
- Certifications: IAPMO(cUPC), ASSE, State of Massachusetts, and others
- Code Compliance: UPC, IPC, NSPC, NPC Canada, and others
- Legislative Compliance: California AB715, California Green Building Code and others
- ADA compliant



Shall be
WaterSense
certified

PRODUCT SPECIFICATION

TOTO® Model No. _____
Automatic infrared sensor activated, urinal flush valve. Heavy-duty 14"x12" stainless steel coverplate with satin finish. Vandal resistant hex head screws. Automatic sensor adjustment on installation. Manual override button incorporated. Stainless steel self cleaning debris screen and solenoid with self cleaning mechanism. Automatic flush every twelve hours if not used. Angle stop and vacuum breaker included with accessories. Electrical sensor separated from valve and sealed in waterproof compartment.

TEU2UN

High-Efficiency Urinal EcoPower® Flushometer Valve, 1/8 gpf

SPECIFICATIONS

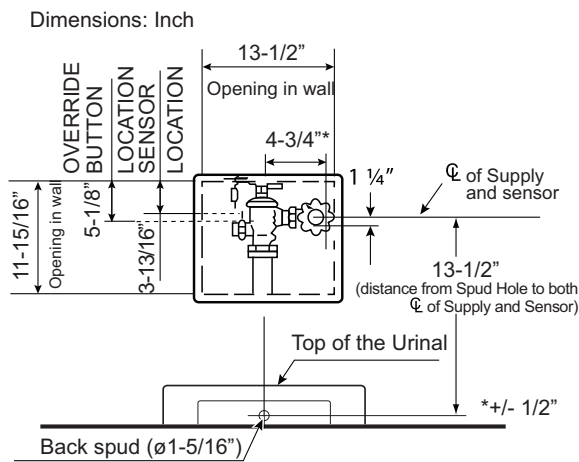
- Warranty Three Year Warranty
- Material Bronze casting
- Power Supply Hydro-Power Charge
- Water Supply 3/4" NPT
- Detection time Factory setting at six (6) seconds minimum
- Detection range Self-adjusting to environment
- Discharge quantity Preset to 1/8 gpf / 0.47 lpf
- Operating temperature 32°-104°F (0°-40°C)
- Supply water pressure 15 psi - 125 psi*
- Trap seal protection Automatically flushes once after twelve (12) hours of non-use

INSTALLATION NOTES

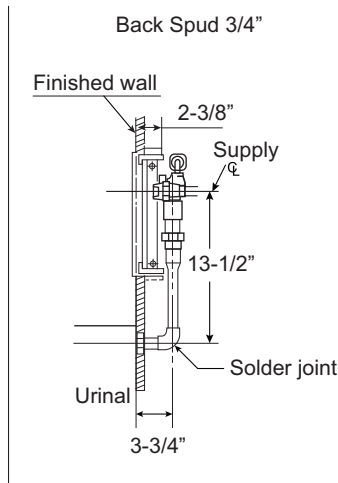
The recommended installation for the urinal flushometer valve is to have a 7" (178mm) minimum space in wall.

These specifications are subject to change without notice.
 *Water pressures over 80 psi are not recommended for most plumbing fixtures.
 Check your local plumbing code for details.

DIAGRAM



RECOMMENDED INSTALLATION



TOTO

These dimensions and specifications are subject to change without notice