

UNIFIT ROUGH-IN INSTALLATION INSTRUCTIONS

MATERIALS REQUIRED:

1. Mounting bolts
2. Wax ring / seal

PACKAGE CONTENT:

1. PVC Outlet Connection - 1
2. Toilet mounting bolt (T-bolt) - 2
3. Mounting screw w/washer - 4
4. T-bolt nut - 2
5. T-bolt washer - 2
6. Anchor - 4

COMMON TOOLS NEEDED:

1. Tape measure
2. Screw driver
3. Putty knife
4. Drill motor, 11/64" drill bit (for wood floor installation) & 1/4" masonry drill bit (for masonry/tile floor installation)

STEP 1 PIPING CHECK AND ROUGHING-IN

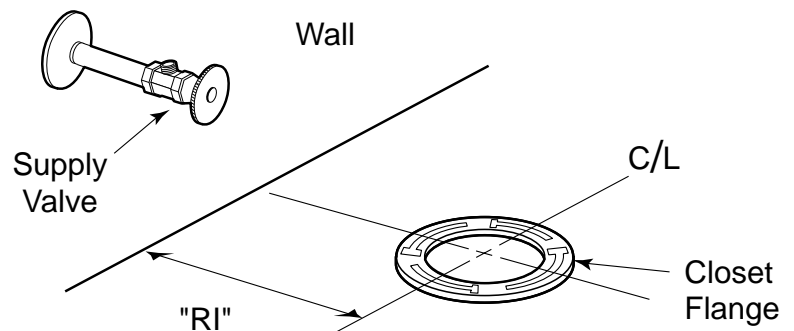
In order for your new TOTO toilet to fit correctly, check the dimensions below.


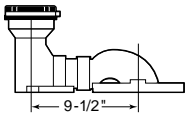
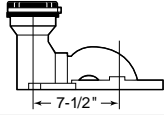
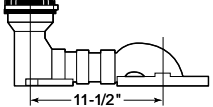
Rough-In ("RI"): Distance between finished wall to the center of the toilet outlet.

REMOVE EXISTING TOILET (If Necessary)

STEP 2 INSTALLING MOUNTING BOLTS

Clean any debris out of the closet flange, then install the mounting bolts into the slots of the flange. The bolt should be inserted into the slot with its head down and threaded shank pointed upward.



"RI"	Outlet Connection Part No.
12 inch	TSU01W.12 (supplied)  
10 inch	TSU01W.10 (optional - must be purchased separately) 
14 inch	TSU01W.14 (optional - must be purchased separately) 

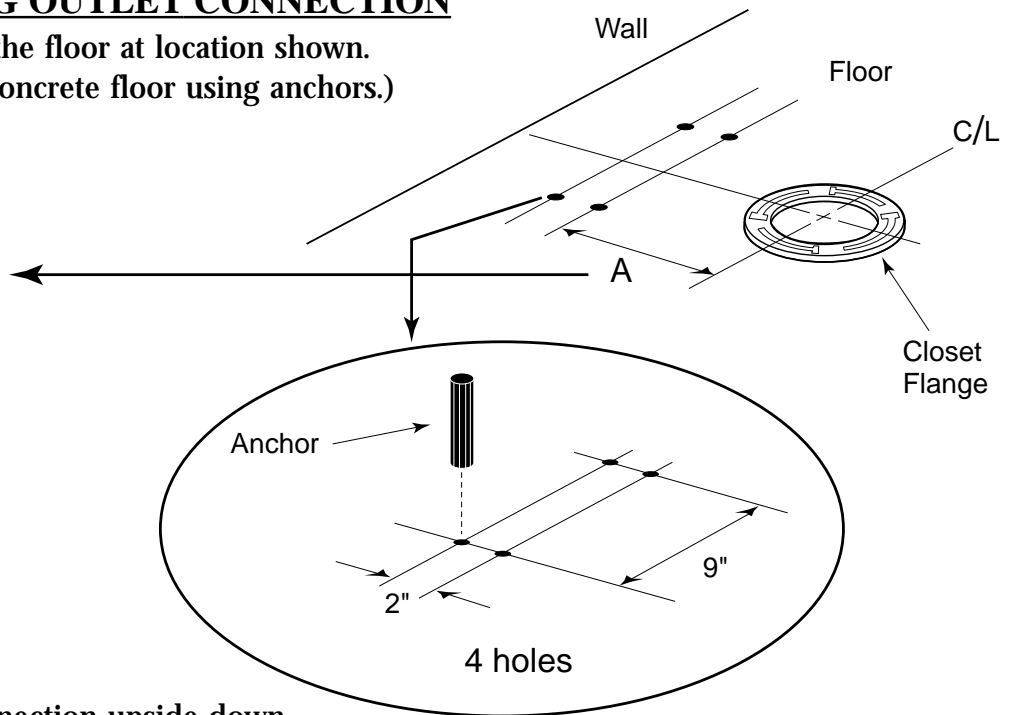
Please make sure that you have the correct outlet connection part.

TOTO[®]
Perfection by Design

STEP 3 INSTALLING OUTLET CONNECTION

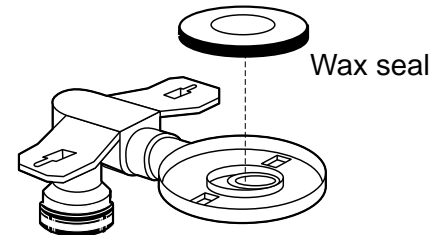
Drill 4 holes 11/64" on the floor at location shown.
(1/4" holes are for tile/concrete floor using anchors.)

RI	A Dimension
10"	A = 3-1/2"
12"	A = 5-1/2"
14"	A = 7-1/2"



Turn the PVC outlet connection upside down. Firmly press a new wax seal onto the circular recess around the outlet opening.

Turn the outlet connection upright and lower it into position over closet flange. With the unit properly aligned, press down firmly to set wax seal.



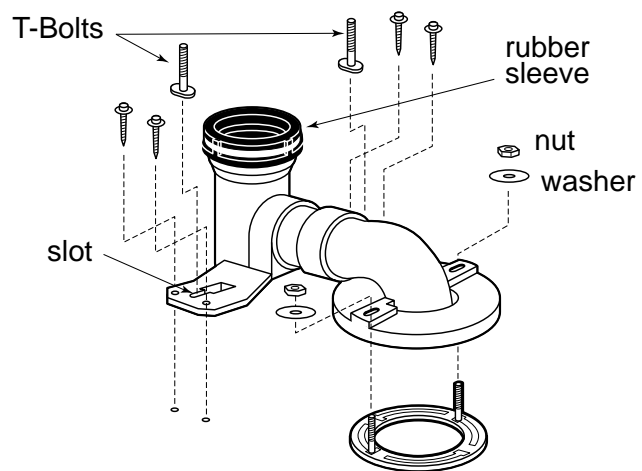
CAUTION: DO NOT move the outlet connection after the wax seal is set.

Insert washers and thread nuts onto mounting bolts and hand tighten. Then tighten bolts an additional 1/2 turn.

Secure back side of outlet connection to the floor using the 4 screws and washers.

Insert the T-Bolts into the slots with its head down and threaded shank pointed upward.

NOTE: DO NOT remove the white tie-wrap from rubber sleeve.



TOTO[®]
Perfection by Design

TOTO U.S.A., INC. • 1155 Southern Road, Morrow, GA 30260
Tel. (770) 282-8686 • Fax. (770) 282-8701 • www.totousa.com

TOTO KIKI U.S.A. is a wholly owned subsidiary of TOTO LTD. Printed in U.S.A. © 1997 by TOTO LTD. 5/98


Printed on recycled paper