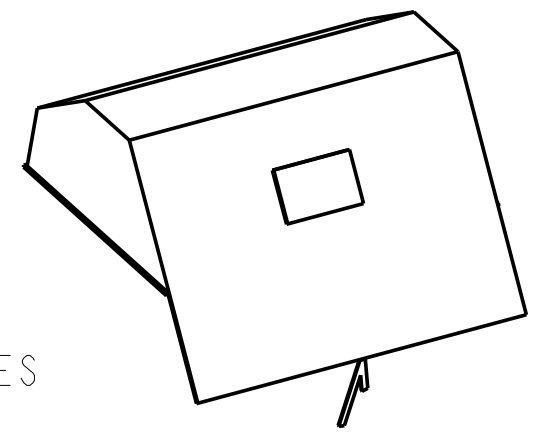
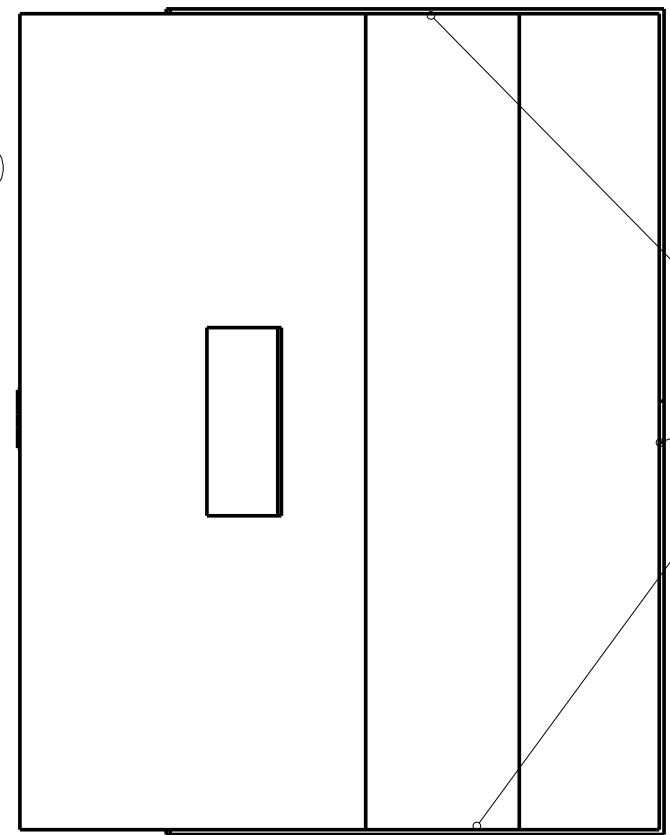


PART No: **VCS500BIC**

ITEM	QTY	PART No	DESCRIPTION	REMARK

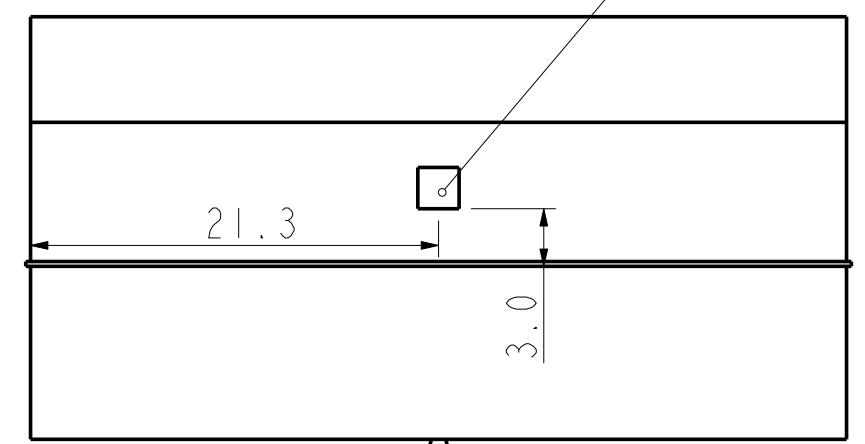
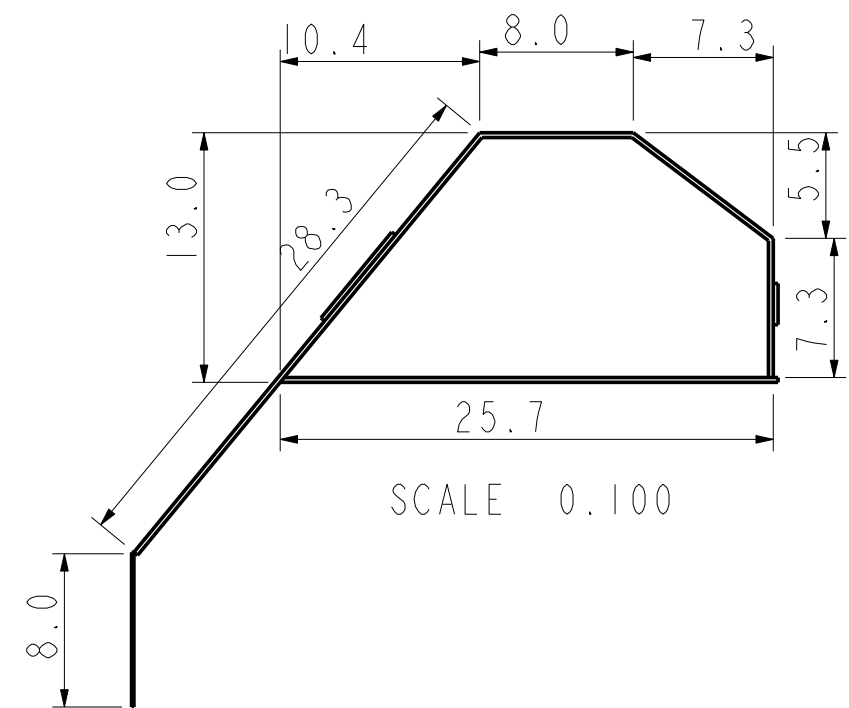
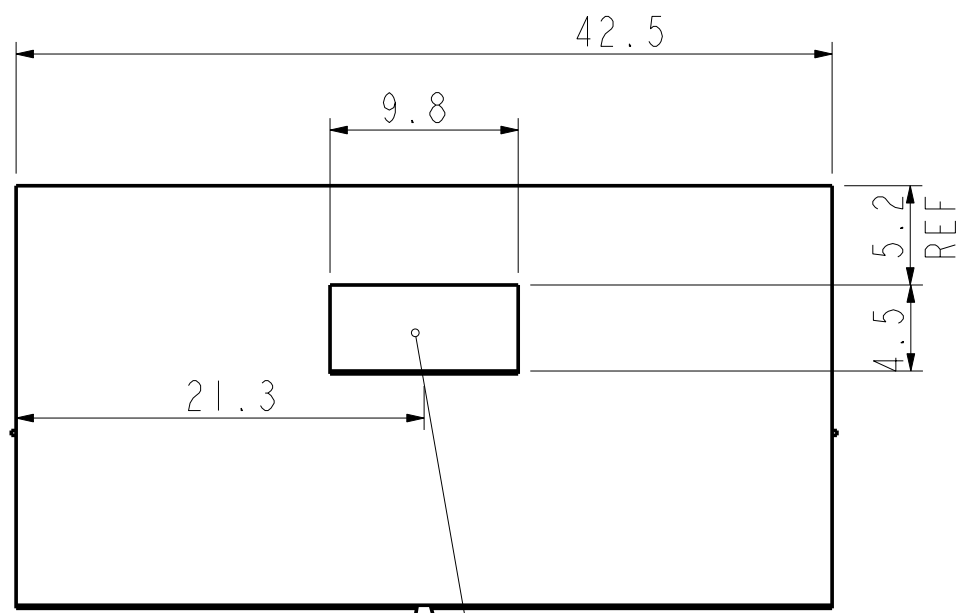
- NOTES:
1. BLACK POLYESTER FABRIC (PANTONE PROCESS BLACK C)
 2. UV PROTECTION TO COMPLY WITH AATCC 16 CLASS 4.0 AT 40 HOURS. CLASS 3.0 AT 100 HOURS.
 3. WATER RESISTANT PIPE SEAM STITCHING
 4. COVERS ARE TO BE INDIVIDUALLY BOXED

<1>



ELASTIC EDGING ON
BOTTOM EDGE OF SIDES
AND BACK

LABEL
"DO NOT REPLACE APPLIANCE
COVER IF UNIT IS HOT"
"NO SUBSTITUIR LA CUBIERTA DE
LA APLICACION SI LA UNIDAD
ES CALIENTE"
"NE REMPLACEZ PAS LE
COUVERCLE DU APPARIEL
SI L'APPREIL EST ENCORE CHAUD"



EMBROIDERED
VERMONT CASTINGS LOGO
USE TAN COLORED THREAD
<1> (PANTONE #7499)
(REFERENCE DWG "VCLOGO")

VELCRO STRAPS

REVISION LOG					
REV No	ECN No	DATE	DESCRIPTION	BY	APPROVED
1	3013200	7-2-13	ADDED COLOR NOTES	DRB	VC

NOTES:
1. DO NOT SCALE
2. CONTROLLED HARD COPY DRAWING IS MASTER (ELECTRONIC FILES ARE FOR REF ONLY)

VERMONT CASTINGS
PROPERTY OF MHS Corporation
CONFIDENTIALITY AGREEMENT:
THIS DOCUMENT IS ISSUED ON THE CONDITION THAT THE INFORMATION CONTAINED IN THIS DOCUMENT IS THE PROPERTY OF MHS CORPORATION. EXCEPT AS SPECIFICALLY AUTHORIZED IN WRITING BY MHS CORPORATION, THE HOLDER OF THIS DOCUMENT SHALL KEEP ALL INFORMATION CONTAINED HEREIN CONFIDENTIAL AND SHALL PROTECT SAME IN WHOLE OR IN PART FROM DISCLOSURE AND DISSEMINATION TO ALL THIRD PARTIES. THIS INFORMATION IS NOT TO BE COPIED, REPRODUCED OR DISCLOSED TO ANY OTHER PARTIES WITHOUT THE WRITTEN CONSENT OF VERMONT CASTINGS.

USED ON: 2B/3B GRILL

TOLERANCES UNLESS OTHERWISE SPECIFIED

LINEAR & DIAMETER	BEND RADIUS
x.x ± 0.039 in (1.0 mm)	0.397 mm + 0.025 mm
x.xx ± 0.020 in (0.5 mm)	- 0
x.xxx ± 0.004 in (0.1 mm)	0.0156 in + 0.001 in
	- 0

GD & T TO COMPLY WITH ANSI Y14.5-1994

THIRD ANGLE PROJECTION:

MATERIAL THICK:	MAX: mm (in)	MATERIAL SPECIFICATION:	SEE NOTES
	MIN: mm (in)		
DRAWN BY:	DATE:	SIZE:	MATERIAL FINISH:
PRM	11.05.12	B	SEE NOTES
DESCRIPTION:			SHEETS:
GRILL COVER- 3B BUILT IN, VCS			1 of 1
ECN No:	REV No:	PART No:	
3013200	1		

VCS500BIC