

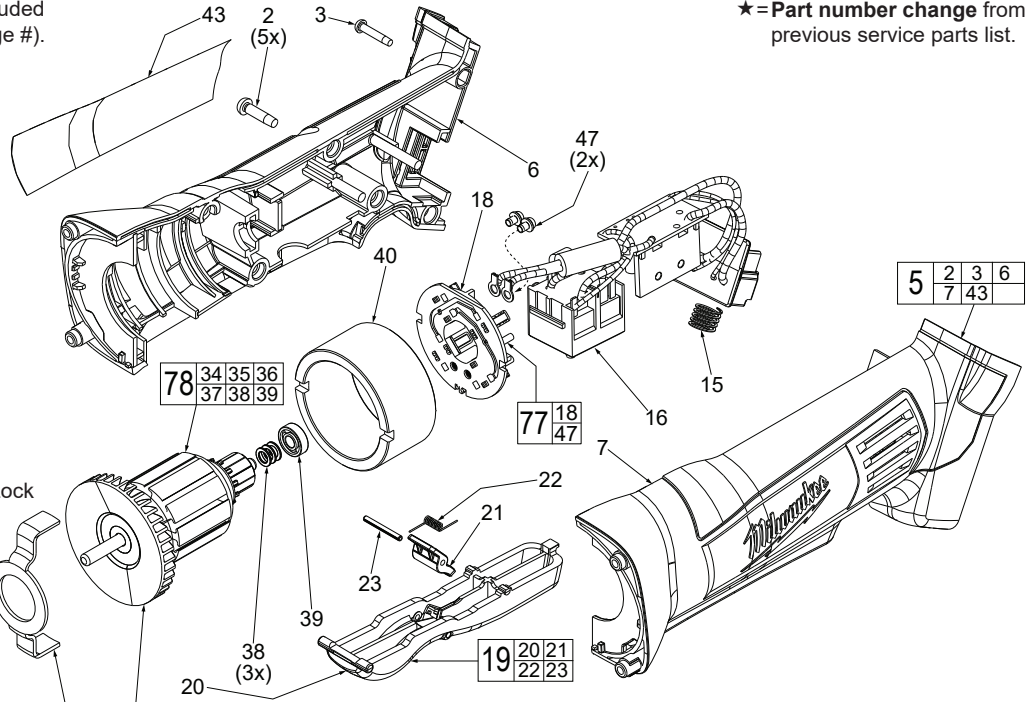
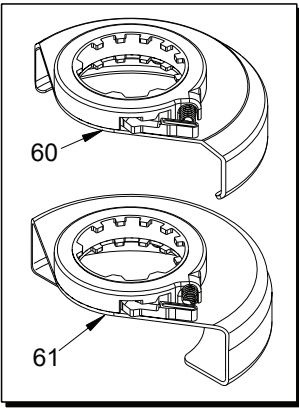


SERVICE PARTS LIST

BULLETIN NO.
54-38-2684

SPECIFY CATALOG NO. AND SERIAL NO. WHEN ORDERING PARTS		REVISED BULLETIN 54-38-2683	DATE Mar. 2020
CORDLESS 18 VOLT 4-1/2" CUT-OFF/GRINDER			
CATALOG NO.	2680-20	STARTING SERIAL NO.	B96E
			WIRING INSTRUCTION SEE PAGE 2

EXAMPLE:
Component Parts (Small #) Are Included
When Ordering The Assembly (Large #).



Functionally check the Spindle Lock mechanism. Spindle Lock must return briskly when released from engagement in Gear (14).

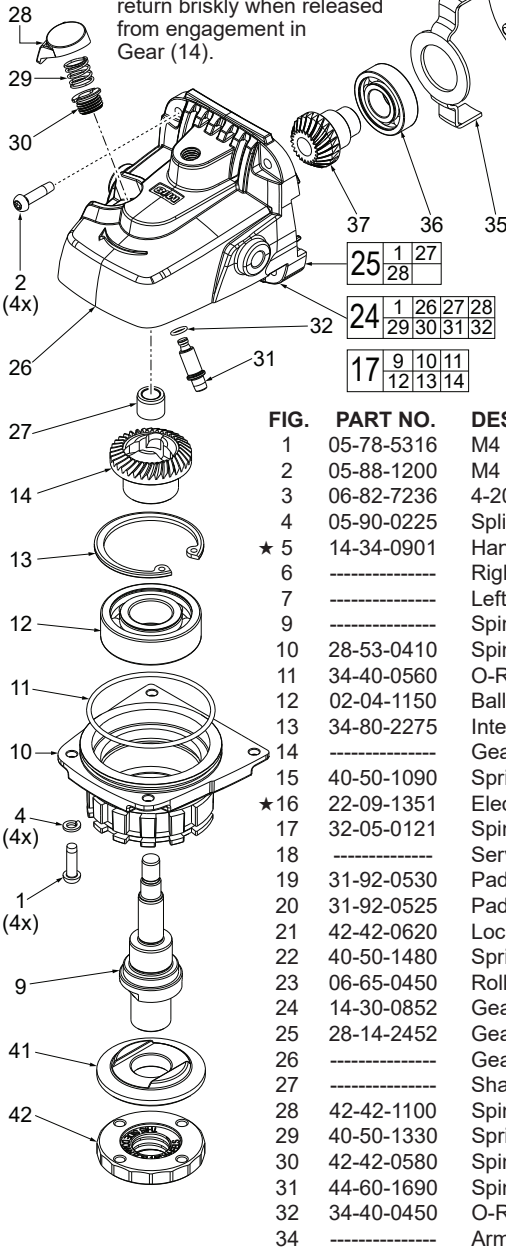


FIG.	PART NO.	DESCRIPTION OF PART	NO. REQ.
1	05-78-5316	M4 x 14mm Pan Hd. Tapt. T-20	(4)
2	05-88-1200	M4 x 16 T-20 Screw	(9)
3	06-82-7236	4-20 x 5/8" Pan Hd. Plast. T-10	(1)
4	05-90-0225	Split Washer	(4)
★5	14-34-0901	Handle Kit	(1)
6	-----	Right Handle Halve	(1)
7	-----	Left Handle Halve	(1)
9	-----	Spindle Shaft	(1)
10	28-53-0410	Spindle Hub	(1)
11	34-40-0560	O-Ring	(1)
12	02-04-1150	Ball Bearing	(1)
13	34-80-2275	Internal Snap Ring	(1)
14	-----	Gear	(1)
15	40-50-1090	Spring	(1)
★16	22-09-1351	Electronics Module Assembly	(1)
17	32-05-0121	Spindle Shaft/Gear Assembly	(1)
18	-----	Serviceable Brush Card	(1)
19	31-92-0530	Paddle Assembly	(1)
20	31-92-0525	Paddle Trigger	(1)
21	42-42-0620	Lock-Off Lever	(1)
22	40-50-1480	Spring	(1)
23	06-65-0450	Roll Pin	(1)
24	14-30-0852	Gearcase Kit	(1)
25	28-14-2452	Gearcase Assembly	(1)
26	-----	Gearcase	(1)
27	-----	Shaft Bushing	(1)
28	42-42-1100	Spindle Lock Button	(1)
29	40-50-1330	Spring	(1)
30	42-42-0580	Spindle Lock Tube	(1)
31	44-60-1690	Spindle Lock Pin	(1)
32	34-40-0450	O-Ring	(1)
34	-----	Armature	(1)

FIG.	PART NO.	DESCRIPTION OF PART	NO. REQ.
35	-----	Bearing Retainer	(1)
36	-----	Ball Bearing	(1)
37	-----	Pinion	(1)
38	45-36-2040	Armature Spacer	(3)
39	02-04-1875	Ball Bearing	(1)
40	18-01-3025	Service Field	(1)
41	43-34-0036	Disk Flange	(1)
42	44-40-0035	Flange Nut	(1)
43	12-20-2490	Service Nameplate Kit	(1)
47	05-88-0920	M3 x 5mm T-10 Screw w/Wash	(2)
60	43-54-1070	4.5" T27 Guard Assembly	(1)
61	43-54-1090	4.5" T1 Guard Assembly	(1)
★77	14-46-2017	Brush Card Assembly	(1)
78	16-01-0061	Armature Assembly	(1)
	42-62-0105	Side Handle (Not Shown)	(1)
	49-96-7215	Spanner Wrench (Not Shown)	(1)

- FIG. LUBRICATION:**
(Use Type 'Y' grease, No. 49-08-5270)
- 11 Apply a thin coat of grease to Spindle Hub O-Ring.
 - 14,37 Apply grease to all teeth of the Pinion and Gear.
 - 26 Place 1/8 oz. grease in Gearcase cavity.
 - 31,32 Apply a thin coat of grease between Spindle Lock Shaft and O-Ring.

- FIG. NOTES:**
- 27 Assemble Needle Bearing with vendor I.D. facing the Gear.
 - 36 Assemble Ball Bearing with seal towards Pinion and shield towards Armature.