

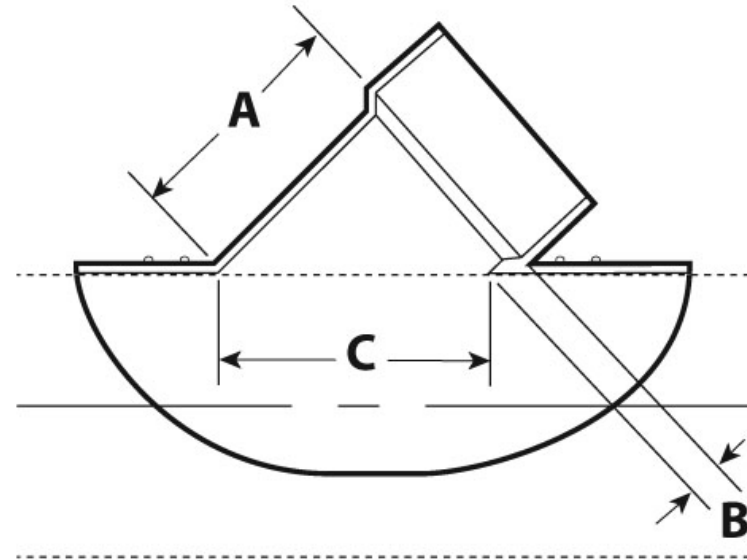


Submittal Sheet

Part Description:
6" on 8" PVC WHITE Sewer Saddle Wye
Solvent Skirt X H

Part Number:
414868BC

Approvals and Listings maintained by:
Canplas Industries Ltd
Canada: 1-800-461-5300 USA: 1-888-461-5307



| Part # | Part UPC | Colour | Size (inches) | Ctn Qty | Ctn Bar Code | Ctn. Wt (Kgs) | Ctn. Wt (lbs) | Skid Cubic (m) | Skid Cubic (ft) | Ctns/Skid |
|----------|--------------|--------|---------------|---------|----------------|---------------|---------------|----------------|-----------------|-----------|
| 414868BC | 662671412416 | WHITE | 6X8 | 6 | 20662671412410 | 7.53 | 16.57 | 1.90 | 67.04 | 18 |

Dimensions (inches)

| A | B | C |
|------|------|------|
| 6.39 | 8.31 | 8.31 |