



# SYMMONS® Degas®

## Widespread Lavatory Faucet SLW-5412 Installation and Service Instructions



### Model Number

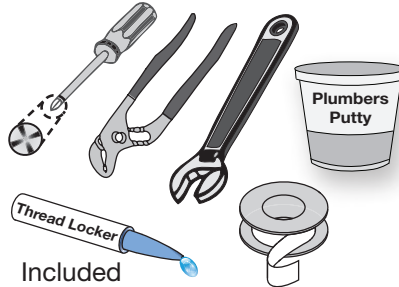
SLW-5412..... Lavatory faucet with pop-up drain

### Decorative Finish Code

Append to part numbers when applicable

- STN Satin Nickel
- ORB Oil Rubbed Bronze
- Chrome (standard)

### Tools & Materials



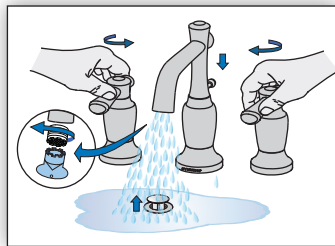
Included

### ☎ Need Help?

Contact Symmons customer service at  
P: (800) 796-6667, F: (800) 961-9621  
Email: [gethelp@symmons.com](mailto:gethelp@symmons.com)  
Monday - Friday 7:30 am - 7:00 pm EST

💻 Please check Symmons website for technical help, the latest product information and warranty policy.  
[www.symmons.com/service](http://www.symmons.com/service)

## Quick Install Guide Degas Widespread Lavatory Faucet, SLW-5412



**Step 9**  
Flush lines and check for leaks

**Step 2**  
Attach handles

**Step 3**  
Install lift rod & attach spout

**Step 4**  
Connect hoses between valves and spout

**Step 1**  
Attach control valves

Removable position  
Non-Removable position

**Step 8**  
Connect supply lines  
(supply hoses not included)

**Step 7**  
Connect lift rod, clevis strap, pivot rod and adjust linkage

**Step 5**  
Attach drain body to flange

**Step 6**  
Install stopper and pivot rod

⊘ Pipe Sealant

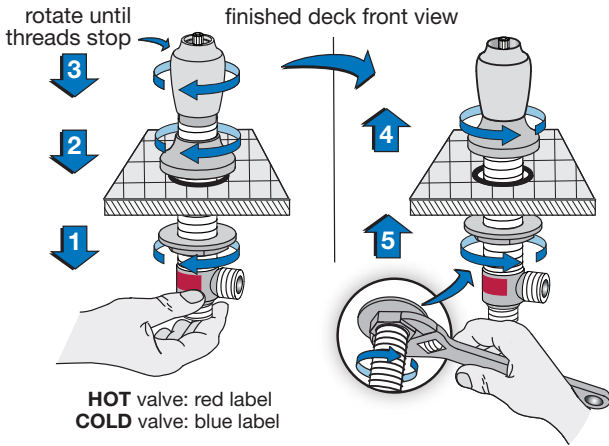
For California Residents

**WARNING:** This product contains chemicals known to the State of California to cause cancer, birth defects, or other reproductive harm.

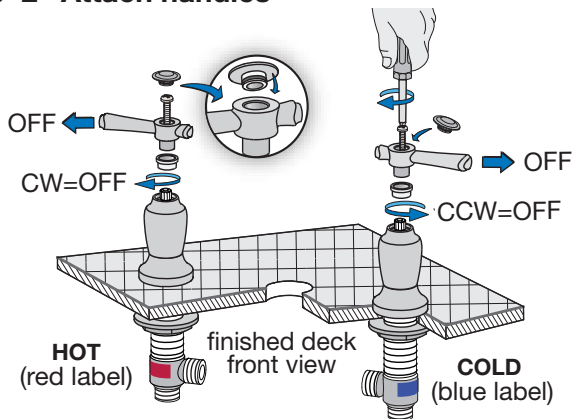
# Installation Instructions

**Caution:** If replacing an older faucet ensure water supply is turned OFF before removing, then open faucet valves to relieve water pressure.

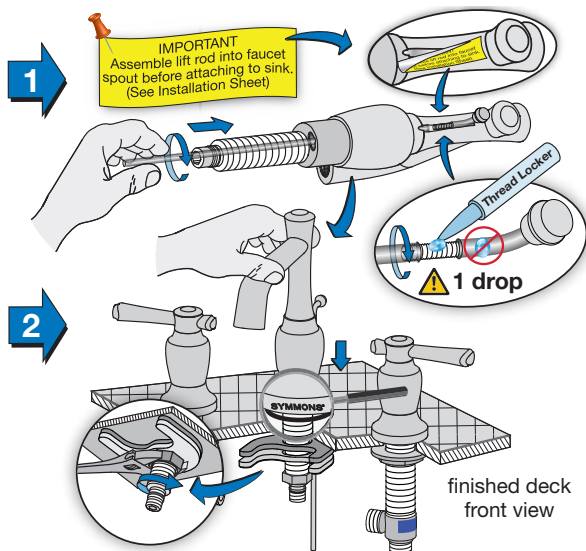
## Step 1 Attach hot & cold control valves



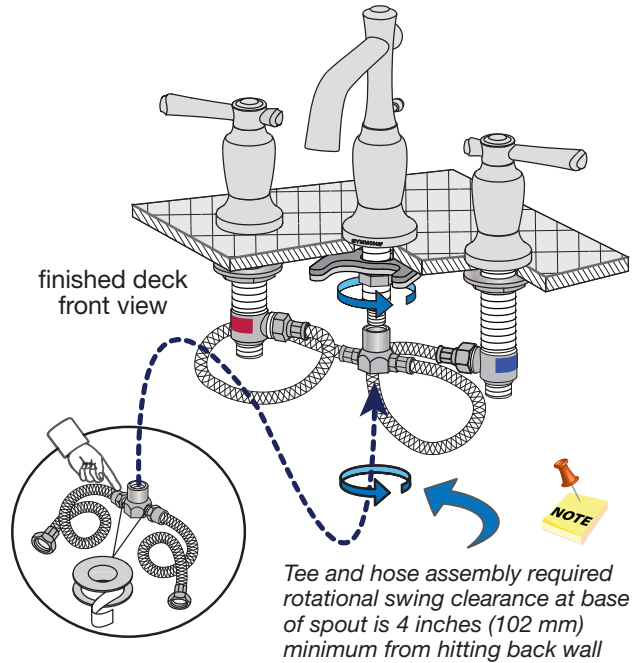
## Step 2 Attach handles



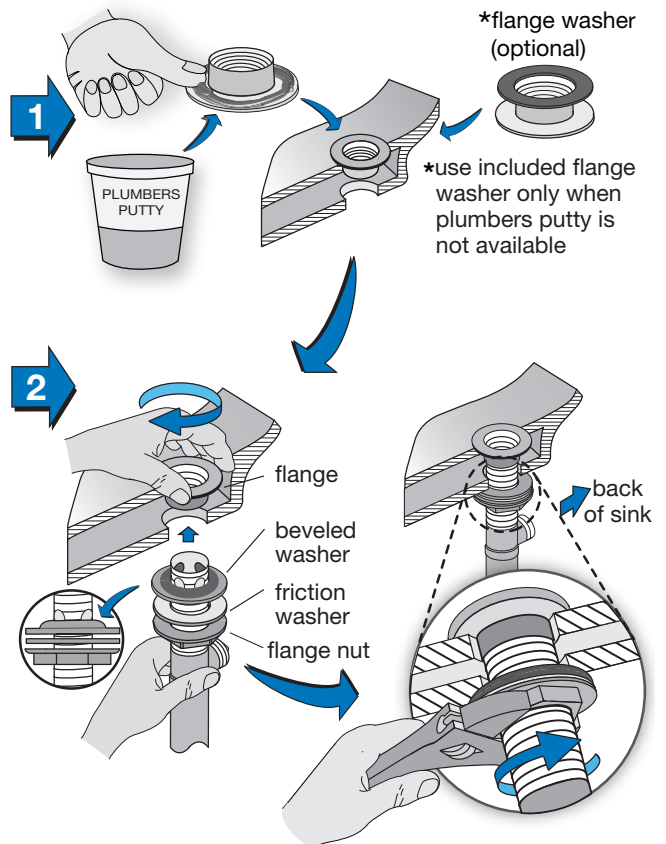
## Step 3 Install lift rod and attach spout



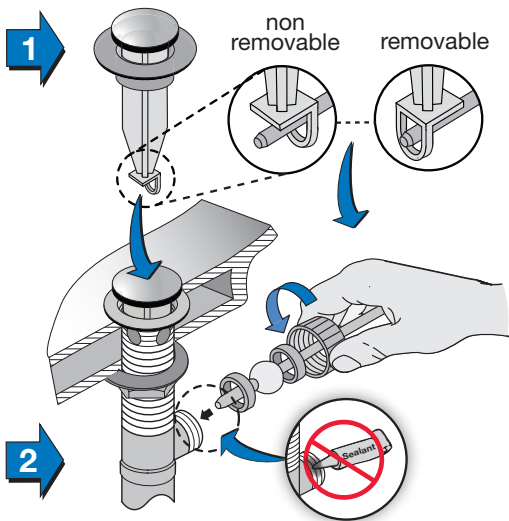
## Step 4 Connect hoses between valves & spout



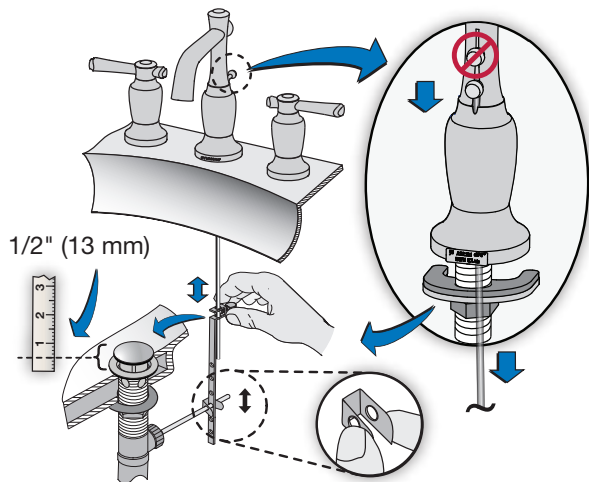
## Step 5 Attach drain body to flange



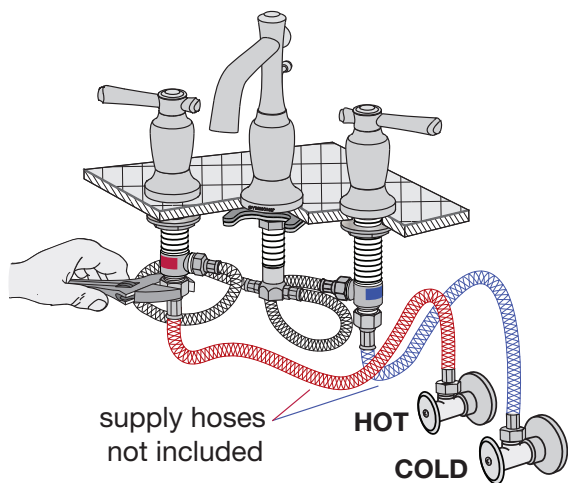
### Step 6 Install stopper and pivot rod



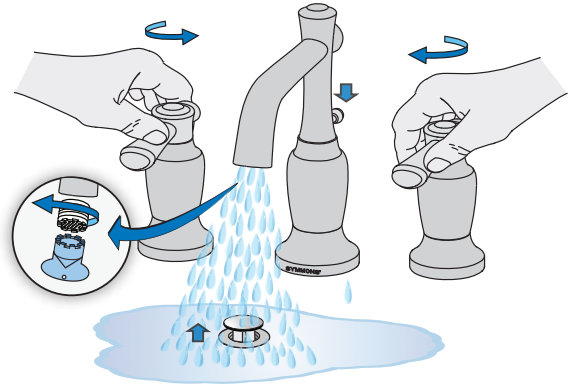
### Step 7 Connect lift rod and adjust linkage



### Step 8 Connect supply lines



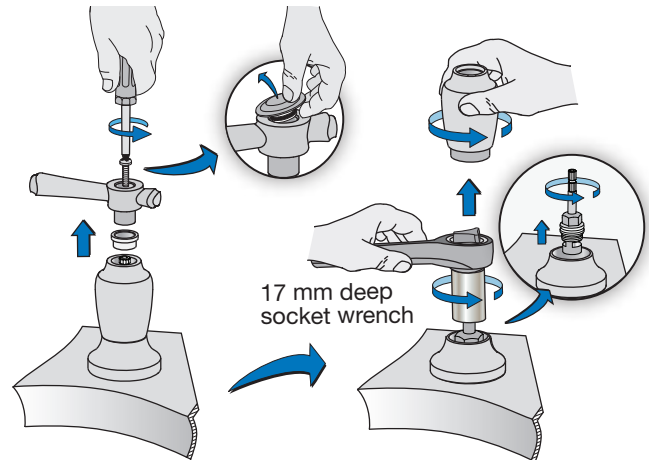
### Step 9 Flush water supply lines



### Care of faucet finish

Clean finish area by using mild soap and water or non-abrasive cleaner and then rinse immediately. A non-abrasive wax may be used to preserve finish area.

### Valve cartridge replacement

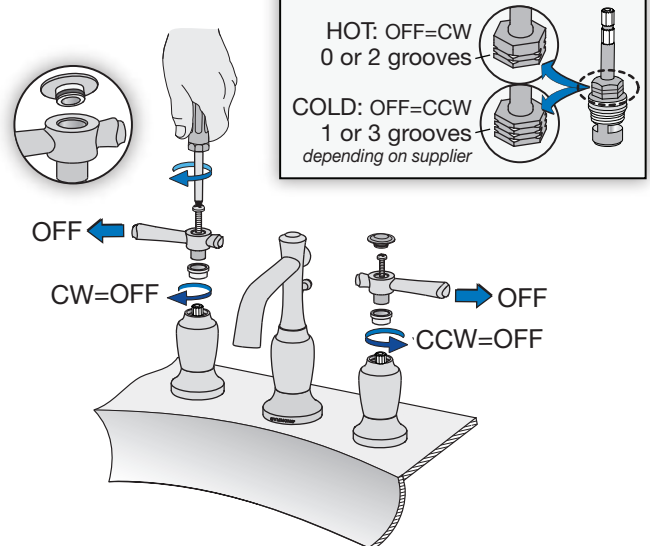


### Replace handles

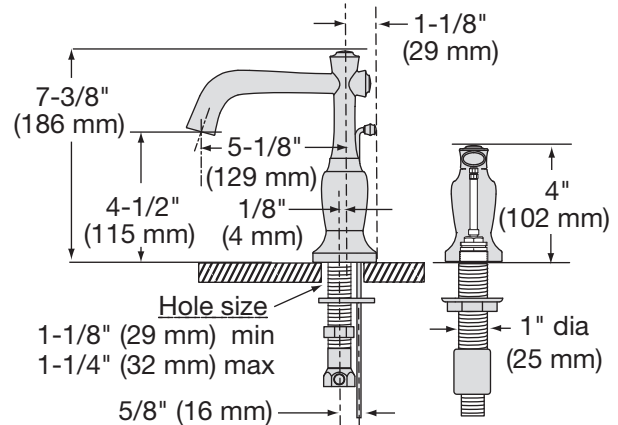
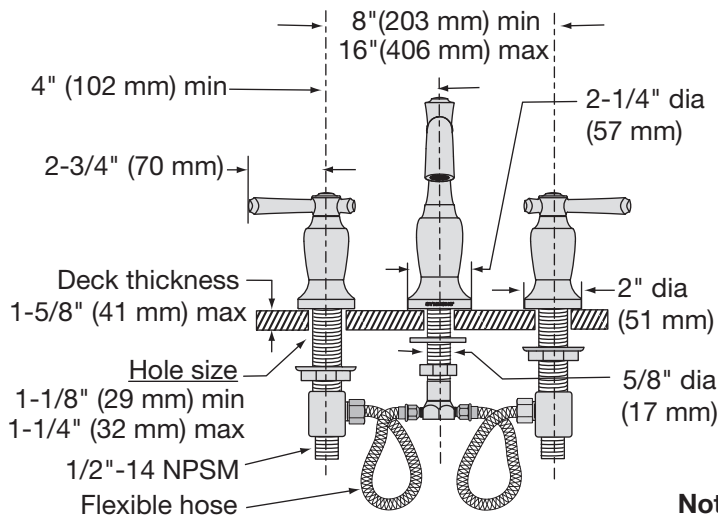
Lead free brass valve cartridges  
(reference replacement parts table)

HOT: OFF=CW  
0 or 2 grooves

COLD: OFF=CCW  
1 or 3 grooves  
depending on supplier

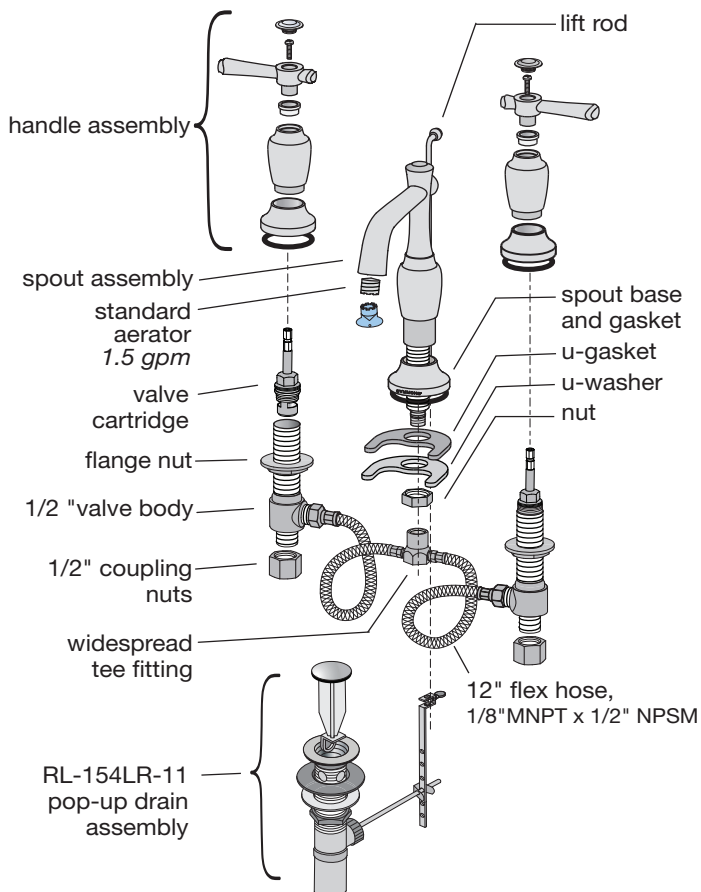


## Dimensions Degas Widespread Lavatory Faucet, SLW-5412



**Note:** Dimensions subject to change without notice

## Parts Assembly Degas Widespread Lavatory Faucet, SLW-5412



### Replacement Part Kits

Part Number	Item
WSF-542L-KIT *.....	Single handle kit plug button phillips panhead (M4x. 7x16 mm) handle bushing handle escutcheon base and gasket
LN-333-KIT.....	Aerator flow rates 2.2 gpm (8.3L/min)
FLR-102-1.5-KIT.....	1.5 gpm (5.7L/min)
LN-742-KIT.....	1.0 gpm (3.8L/min)
	aerator removal tool included in all kits, p/n LN-383
KN-114E.....	Valve cartridge, lead free brass <b>HOT:</b> OFF = CW 0 or 2 grooves
KN-113E.....	<b>COLD:</b> OFF = CCW 1 or 3 grooves
RL-205 *	Lift rod

#### Ordering replacement parts:

Call Symmons customer service at (800) 796-6667, M-F 7:30 am - 7:30 pm EST or check our website at [www.symmons.com](http://www.symmons.com) for a list of Symmons distributors.

\* Note: When ordering replacements parts for faucets with an optional decorative finish, append appropriate three letter finish suffix code to part numbers marked with an asterisk (\*).

Symmons Industries, Inc. ■ 31 Brooks Drive ■ Braintree, MA 02184

Phone: (800) 796-6667 ■ Fax: (800) 961-9621

Website: [symmons.com](http://symmons.com) ■ Email: [gethelp@symmons.com](mailto:gethelp@symmons.com)

Copyright © 2017 Symmons Industries, Inc. ■ ZV-1020 REV C ■ 082517

**SYMMONS**<sup>®</sup>  
the smart choice™