

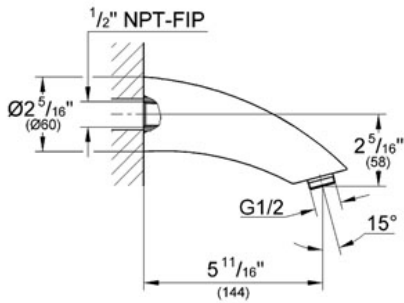
MOVARIO 6" Shower Arm

MODEL # 28535

Pure Freude an Wasser

GROHE

GROHE America, Inc | 200 North Gary Avenue, Suite G, Roselle, IL 60172
Phone: +1 (800) 444-7643 | Fax: +1 (800) 225-2778 | us-customerservice@grohe.com



Product Description: 6" Shower Arm

Standard Specification:

- GROHE StarLight® finish
- Shower arm for brass shower head
- 1/2" NPT Female Threads

Applicable Codes & Standards:

- ASME A112.18.1/CSA B125.1

Color:

- 28535 000 chrome
- 28535 BE0 Sterling inf
- 28535 EN0 Brushed Nickel
- 28535 ZB0 Oil Rubbed Bronze