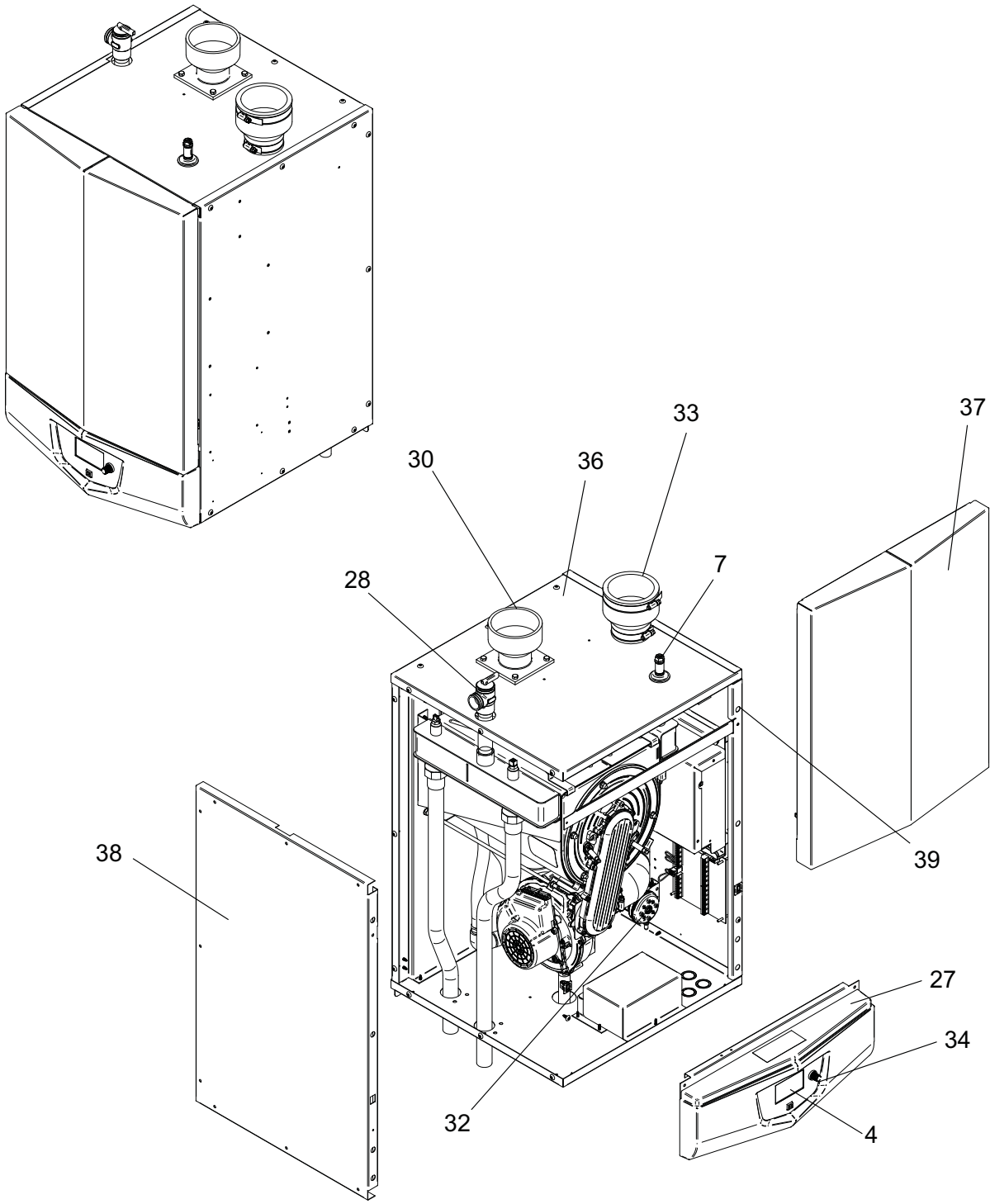




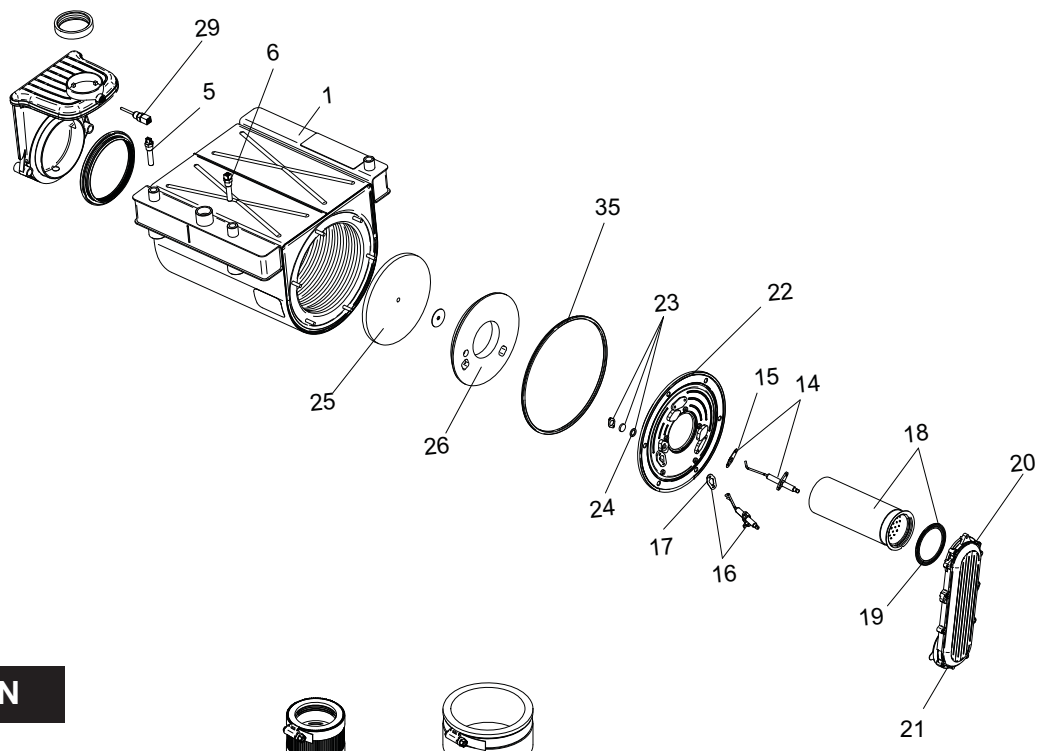
**PARTS & SERVICE DEPARTMENT**  
 Nashville, Tennessee  
 615-889-8900 • Fax: 615-882-2918  
 parts\_team@lochinvar.com  
 www.Lochinvar.com

**Replacement Parts List**

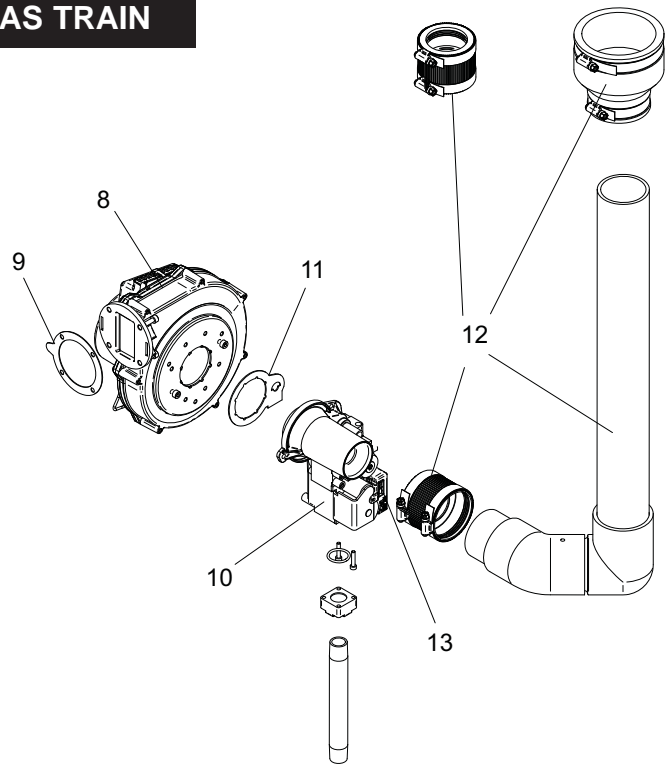
**Knight**  
**Wall Mount Boilers**  
**WB 51 thru 211**



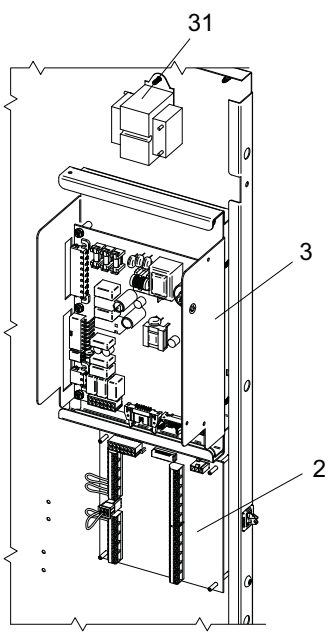
# HEAT EXCHANGER 81-211



# GAS TRAIN



# CONTROL PANEL



ITEM NO.	PART NO.	DESCRIPTION	MODEL
<b>HEAT EXCHANGER ASSEMBLY</b>			
1	HEX3690	HEAT EXCHANGER	WB51/81
1	HEX3691	HEAT EXCHANGER	WB106
1	HEX3692	HEAT EXCHANGER	WB151
1	HEX3693	HEAT EXCHANGER	WB211
<b>CONTROLS</b>			
2	RLY20064	LOW VOLTAGE CONNECTION BOARD	ALL
3	RLY30043	INTEGRATED CONTROL PRIOR TO H10	WB 81-211
3	RLY30061	INTEGRATED CONTROL BEGINNING H10	WB 81-211
3	RLY30045	INTEGRATED CONTROL PRIOR TO H10	WB 51
3	RLY30063	INTEGRATED CONTROL BEGINNING H10	WB 51
3	RLY30044	HIGH ALTITUDE INTEGRATED CONTROL PRIOR TO H10	WB 81-211
3	RLY30062	HIGH ALTITUDE INTEGRATED CONTROL BEGINNING H10	WB 81-211
3	RLY30046	HIGH ALTITUDE INTEGRATED CONTROL PRIOR TO H10	WB 51
3	RLY30064	HIGH ALTITUDE INTEGRATED CONTROL BEGINNING H10	WB 51
4	RLY20058	USER INTERFACE CONTROL	ALL
	LBL20119	USER INTERFACE OVERLAY	ALL
5	TST2060	INLET SENSOR	ALL
6	TST20009	OUTLET SENSOR/ HIGH LIMIT	ALL
7	RLV30000	AIR VENT VALVE	ALL
8	FAN3030	FAN ASSEMBLY	WB51-106
8	FAN3031	FAN ASSEMBLY	WB151
8	FAN3032	FAN ASSEMBLY	WB211
9	GKT2456	BLOWER GASKET	WB51-81, 151
9	GKT2436	BLOWER GASKET	WB106 & 211
<b>GAS VALVES</b>			
10	VAL3208	GAS VALVE ASSEMBLY	WB51
10	VAL3209	GAS VALVE ASSEMBLY	WB81
10	VAL3210	GAS VALVE ASSEMBLY	WB106
10	VAL3211	GAS VALVE ASSEMBLY	WB151/211
11	GKT2443	GASKET, VENTURI	ALL
12	MSC3006	AIR INLET KIT	ALL
13	MSC2233	GAS VALVE SWITCH	ALL
<b>PILOT &amp; BURNER ASSEMBLIES</b>			
14	PLT3022	FLAME SENSOR W/ GASKET	ALL
15	GKT2450	GASKET, FLAME SENSOR	ALL
16	PLT3021	IGNITOR W/ GASKET	ALL
17	GKT2449	GASKET, IGNITER	ALL
18	BNR3424	BURNER W/ GASKET	WB51/81
18	BNR3425	BURNER W/ GASKET	WB106
18	BNR3426	BURNER W/ GASKET	WB151
18	BNR3427	BURNER W/ GASKET	WB211
19	GKT2451	GASKET, BURNER	ALL
20	WTR3077	GAS/AIR ARM ASSEMBLY W/GASKET	WB 51-151
20	WTR3078	GAS/AIR ARM ASSEMBLY W/GASKET	WB211
21	GKT2454	GASKET, GAS/AIR ARM ASSEMBLY	ALL
22	WTR30002	HEAT EXCHANGER ACCESS DOOR	ALL
<b>MISCELLANEOUS</b>			
23	MSC3180	SIGHT GLASS	ALL
24	GKT2453	GASKET, SIGHT GLASS	ALL
25	FIB2167	DIVIDER PLATE, INSULATION BAFFLE	ALL
26	FIB2291	BURNER PLATE, INSULATION, DOOR	ALL
27	MSC2230	DISPLAY BEZEL	ALL
<b>PLEASE HAVE MODEL AND SERIAL NUMBER WHEN ORDERING PARTS</b>			

ITEM NO.	PART NO.	DESCRIPTION	MODEL
<b>MISCELLANEOUS (CONTINUED)</b>			
28	RLV2030	RELIEF VALVE 30 PSI	ALL
29	TST20007	FLUE SENSOR	ALL
30	PVC2047	FLUE CONNECTION 2"	WB51-106
30	PVC2048	FLUE CONNECTION 3"	WB151-211
31	TRF20000	TRANSFORMER, 24V, 40VA	ALL
32	PRS20015	PRESSURE SWITCH	WB51/81
32	PRS20016	PRESSURE SWITCH	WB106/151
32	PRS20017	PRESSURE SWITCH	WB211
33	CPG2059	COUPLING, AIR INLET	ALL
34	MSC20123	KNOB, FLUTED W/ SKIRT	ALL
35	GKT2455	GASKET, DOOR, RUBBER	ALL
	TST2044	BULB WELL, 1/4"	ALL
	TST2032	SYSTEM SENSOR	ALL
	JKB2011	WALL MOUNT BRACKET	ALL
	FUS20001	0.8 AMP	ALL
	FUS2001	3.15 AMP	ALL
	FUS2002	5 AMP	ALL
	WTR2040	FLOW SWITCH	ALL
	TST2311	OUTDOOR AIR SENSOR	ALL
	SWT2011	BLOCKED DRAIN SWITCH	ALL
	GTP2900	GAUGE TRIOMETER, 75# PSI	ALL
	KIT3078	SYSTEM SENSOR KIT	ALL
	WTR20009	MRLWCO WITH TEST	ALL
	KIT3087	NEUTRALIZER KIT	ALL
	KIT3085	ALARM BELL	ALL
	LPK3418	LP CONVERSION KIT	WB51
	LPK3944	LP CONVERSION KIT	WB81
	LPK3945	LP CONVERSION KIT	WB106
	LPK3947	LP CONVERSION KIT	WB151/211
	MSC20009	CONDENSATE TRAP ASSEMBLY	ALL
	KIT30062	HEAT EXCHANGER CLEANING KIT	WB51-106
	KIT30063	HEAT EXCHANGER CLEANING KIT	WB151-211
<b>PUMPS</b>			
	PUM3020	PUMP	ALL
	PUM30005	PUMP, HIGH ALTITUDE	ALL
<b>JACKET ASSEMBLY</b>			
36	JKB6143	JACKET, TOP	WB051-081
36	JKB6149	JACKET, TOP	WB106
36	JKB6150	JACKET, TOP	WB151
36	JKB6151	JACKET, TOP	WB211
37	JKB30000	JACKET, FRONT	ALL
38	JKB6152	JACKET, LEFT SIDE	WB051 - 106
38	JKB5153	JACKET, LEFT SIDE	WB151
38	JKB6154	JACKET, LEFT SIDE	WB211
39	JKB40078	JACKET, RIGHT SIDE	WB051 - 106
39	JKB40073	JACKET, RIGHT SIDE	WB151
39	JKB40074	JACKET, RIGHT SIDE	WB211
<b>PLEASE HAVE MODEL AND SERIAL NUMBER WHEN ORDERING PARTS</b>			