

Toro 300 Series Stream Rotor® Sprinklers

4.6-9.2m Radius

Toro Multi-stream rotors are well known for their visually appealing, multi-stream distribution of water. For medium-to-large lawn and shrub areas, in residential and light commercial applications.

Key Features

- Multiple rotating stream pattern allows water to soak into tight soils and slopes reducing risk of runoff
- True matched precipitation rate nozzles and arc discs
- Choice of six nozzles and-nine interchangeable arc discs
- Planetary, water-lubricated, gear-drive design for longer-life
- Large basket filter screen
- Durable engineering plastic and stainless-steel construction

Additional Features

- Lawn and 300mm Pop-up
- Stainless-steel retraction spring
- Wiper seal
- Small surface diameter
- At-grade installation
- 300mm body has bottom and side inlets
- Locking cap available

Specifications

- Recommended operating pressure: 240-350 kPa
- Maximum operating pressure: 520 kPa
- Flow rate: 2-28.5 Lpm
- Fixed-radius models: 5-9.2m
- Omni adjustable radius models: 4.6-9.2m
- Trajectory: 27°

Lawn Pop-up

- Pop-up to nozzle: 70mm
- 20mm (3/4") FBSP inlet
- Dimensions:
 - Body diameter: 59mm
 - Cap diameter: 75mm
 - Height: 157mm

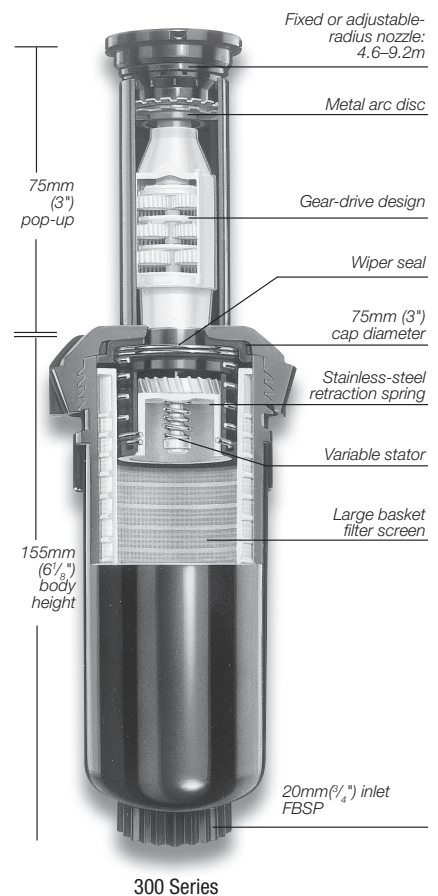


Shrub

- 20mm (3/4") FBSP inlets
- Dimensions:
 - Base diameter: 50mm
 - Height: 150mm
- Check valve maintains up to 2.4m elevation change

High-pop

- Pop-up to nozzle: 290mm
- 20mm (3/4") FBSP bottom and side inlets
- Side inlet: 180mm from top of sprinkler to centre of side inlet
- Dimensions:
 - Body diameter: 59mm
 - Cap diameter: 75mm
 - Height: 405mm



300 Series

MultiStream (300 Series) Ordering Information

Lawn Pop-Up	
300-00-00	75mm Pop-Up Body Only, without Nozzle and Arc Disc, 20mm FBSP Inlet
89-7853	Lilac Cap 300 Series Pop-Up
Shrub	
300-10-00	Shrub Rotor Body Only, without Nozzle and Arc Disc, 20mm FBSP Inlet
300mm (12") Pop-UP	
300-12-00	300mm Pop-Up Body Only, without Nozzle and Arc Disc, 20mm FBSP Inlet
89-7854	Lilac Cap 300 Series High-Pop

300 Fixed-Radius Nozzle Performance Chart

				360°	270°	225°	202.5°	180°	157.5°	135°	112°	90°	
Nozzle	kPa	Radius (m)	Prec. Rate*		Flow (at Designated Arcs) (Lpm)								
			△	□									
01	250	4.9	25.4	22.0	8.8	6.6	5.5	4.9	4.4	3.9	3.3	2.8	2.2
	350	5.5	25.2	21.8	11.0	8.3	6.9	6.2	5.5	4.8	4.1	3.4	2.8
02	250	6.5	18.2	15.7	11.1	8.3	6.9	6.2	5.5	4.8	4.2	3.5	2.8
	350	7.4	16.4	14.2	13.0	9.8	8.1	7.3	6.5	5.7	4.9	4.1	3.3
03	250	8.6	19.5	16.9	20.9	15.7	13.1	11.7	10.4	9.1	7.8	6.5	5.2
	350	9.2	20.1	17.4	24.6	18.5	15.4	13.8	12.3	10.8	9.2	7.7	6.2
63§	250	8.6	9.8	8.5	10.5	7.8	6.5	5.9	5.2	4.6	3.9	3.3	2.6
	350	9.2	10.1	8.7	12.3	9.2	7.7	6.9	6.2	5.4	4.6	3.9	3.9
93§	250	8.6	14.7	12.7	15.7	11.7	9.8	8.8	7.8	6.9	5.7	4.9	3.9
	350	9.2	15.1	13.1	18.5	13.9	11.5	10.4	9.2	8.1	6.9	5.8	4.6

§ Indicates low flow

Omni™ Adjustable Radius Nozzle Performance Chart Standard

				360°	270°	225°	202.5°	180°	157.5°	135°	112°	90°
(kPa)	Radius (m)	Prec. Rate*		Flow (at Designated Arcs) (Lpm)								
		△	□									
250	4.5	44.1	38.2	12.9	9.7	8.1	7.3	6.5	5.7	4.9	4.0	3.2
	5	39.0	33.8	14.1	10.6	8.8	8.0	7.1	6.2	5.3	4.4	3.5
	6	31.9	27.6	16.6	12.5	10.4	9.3	8.3	7.3	6.2	5.2	4.2
	7	27.0	23.3	19.1	14.3	11.9	10.7	9.6	8.4	7.2	5.9	4.8
350	8	24.0	20.8	22.2	16.7	13.9	12.5	11.1	9.7	8.3	6.9	5.6
	6	36.9	31.9	19.2	14.4	12.0	10.8	9.6	8.4	7.2	6.0	4.8
	7	31.3	27.1	22.2	16.7	13.9	12.5	11.1	9.7	8.3	6.9	5.6
	8	27.2	23.6	25.2	18.9	15.7	14.2	12.6	11.0	9.4	7.8	6.3
	9	24.1	20.9	28.2	21.1	17.6	15.8	14.1	12.3	10.6	8.8	7.0
	10	21.6	18.7	31.2	23.4	19.5	17.5	15.6	13.6	11.7	9.7	7.8

△ Precipitation rates are for triangular spacing, shown in millimetres per hour, calculated at 50% of diameter.
 □ Precipitation rates are for square spacing, shown in millimetres per hour, calculated at 50% of diameter.
 All performance specifications are based on the stated working pressure available at the base of the sprinkler.

300 Series Shrub (360° Arc Disc) (Model No. 300-10-15COM)

Nozzle	kPa	Lpm	Radius (m)
01	350	7.9	4.3
01	500	10.8	4.8
02	350	9.5	7.0
02	500	13.5	7.6
03	350	17.4	8.2
03	500	23.0	8.8
63	350	10.2	8.6
63	500	14.0	9.1
93	350	14.0	8.9
93	500	19.4	9.4
Omni (Min)	350	10.2	4.9
Omni (Min)	500	14.5	5.4
Omni (Max)	350	21.1	9.2
Omni (Max)	500	23.8	10

Apex at 350kPa – Metric

Nozzle	27°
	Maximum Ht. of Spray
01	1.47m
02	1.55m
03	1.8m
63	2.1m
93	1.9m



Omni Nozzle – Adjusts from 4.6 to 9m

Multi-Stream (300 Series) Ordering information

Stream Rotor Arc Discs		Nozzle Assemblies (Lawn and Shrub Heads)		Nozzle Assemblies (Hi-Pop Heads)	
304-00	90° Stainless Steel Arc Disc	300-15	Omni Nozzle, Adjustable Radius, 4.5-10.0m	300-25	Omni Nozzle, High Pop, Adjustable Radius, 4.5-10.0m
305-00	112° Stainless Steel Arc Disc			300-21	#01 Nozzle Assembly, High Pop, (Blank I.D. Plug), 4.9-5.5m
306-00	135° Stainless Steel Arc Disc	300-11	#01 Nozzle Assembly, (Blank I.D. Plug), 4.9-5.5m	300-22	#02 Nozzle Assembly, High Pop, (Blank I.D. Plug), 6.5-7.4m
307-00	157° Stainless Steel Arc Disc	300-12	#02 Nozzle Assembly, (Blank I.D. Plug), 6.5-7.4m	300-23	#03 Nozzle Assembly, High Pop, (Blank I.D. Plug), 8.6-9.2m
308-00	180° Stainless Steel Arc Disc	300-13	#03 Nozzle Assembly, (Blank I.D. Plug), 8.6-9.2m	300-63-12	#63 Nozzle Assembly, High Pop, (Blank I.D. Plug), (50% less flow than #03 nozzle), 8.6-9.2m
309-00	202° Stainless Steel Arc Disc	300-63-1	#63 Nozzle Assembly, (Blank I.D. Plug), (50% less flow than #03 nozzle), 8.6-9.2m	300-93-12	#93 Nozzle Assembly, High Pop, (Blank I.D. Plug), (25% less flow than #03 nozzle), 8.6-9.2m
310-00	225° Stainless Steel Arc Disc				
312-00	270° Stainless Steel Arc Disc				
316-00	360° Stainless Steel Arc Disc	300-93-1	#93 Nozzle Assembly, (Blank I.D. Plug), (25% less flow than #03 nozzle), 8.6-9.2m		