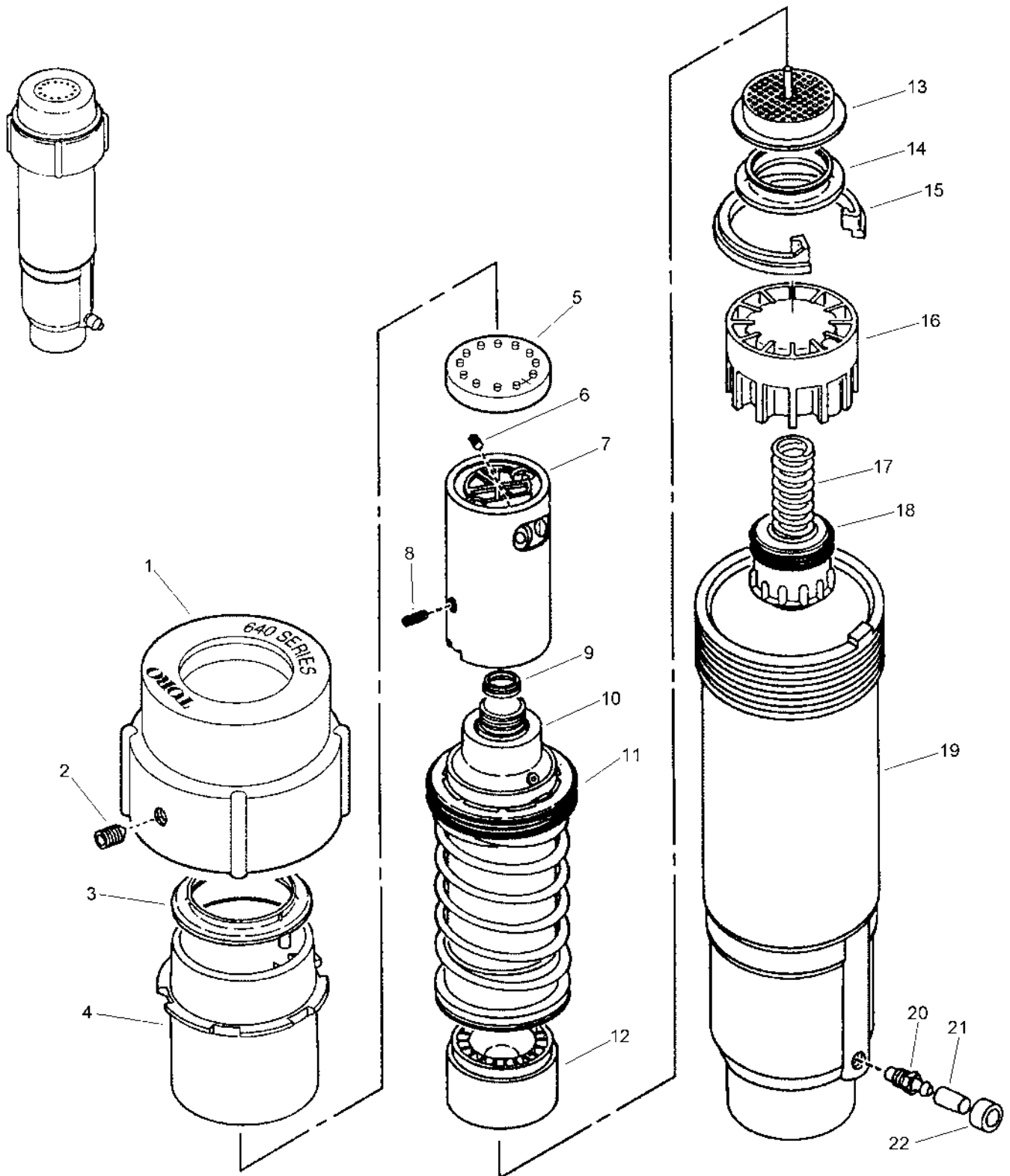


640



640 (continued)

Ref.	Part Number	Qty.	Description	Ref.	Part Number	Qty.	Description
1	89-8999	1	Cap Assy., 640 Service (Includes Item 2)		89-1046		Valve Assy., 1.0" Hyd., No, (Includes Items 16 18) ●■
2	2-9653	1	Set Screw, 1/4-20		9-7271		Adapter-Tubing, Oversized Thread (Replaces Item 2) ●
3	3-3756	1	Seal, Nozzle Container				■
4	3-3755	1	Retainer		35-4280		Seal Assembly Replacement Kit ●■
5	89-9000	1	Rubber Cover, Nozzle (For 1993 Or Later Models)		35-0579		Stator Assy., Fast, #41 (Includes Items 12 14) ●■
5	89-9001	1	Rubber Cover, Nozzle, Effluent (For 1993 Or Later Models)		35-1011		Stator Assy., Fast, #42/43 (Includes Items 12 14) ●■
6	360-0223	1	Screw-Set, Half-Dog Point, 6-32 X 1/4"		640-40		#40 Nozzle/Stator Assy. (Includes Items 5 9 And 12 14) ●■◆
7		1	Nozzle Assy. (See Service Items: Nozzle / Stator Assy.) ▲		640-41		#41 Nozzle/Stator Assy. (Includes Items 5 9 And 12 14) ●■◆
8	1-7038	1	Screw, Half-Dog Point, 6-32 X 7/16" X 0.44		640-42		#42 Nozzle/Stator Assy. (Includes Items 5 9 And 12 14) ●■◆
9	35-1075	1	Seal, (Nozzle To Spindle)		640-43		#43 Nozzle/Stator Assy. (Includes Items 5 9 And 12 14) ●■◆
10	640-0045	1	Drive Assy., 640, 45° ◆		640-44		#44 Nozzle/Stator Assy. (Includes Items 5 9 And 12 14) ●■◆
10	640-0060	1	Drive Assy., 640, 60° ◆		640-40E		#40 Nozzle/Stator Assy., Effluent (Includes Items 5 9 And 12 14) ●■◆
10	640-0090	1	Drive Assy., 640, 90° ◆		640-41E		#41 Nozzle/Stator Assy., Effluent (Includes Items 5 9 And 12 14) ●■◆
10	640-0180	1	Drive Assy., 640, 180° ◆		640-42E		#42 Nozzle/Stator Assy., Effluent (Includes Items 5 9 And 12 14) ●■◆
10	640-0270	1	Drive Assy., 640, 270° ◆		640-43E		#43 Nozzle/Stator Assy., Effluent (Includes Items 5 9 And 12 14) ●■◆
10	640-0360	1	Drive Assy., 640, 360° ◆		640-44E		#44 Nozzle/Stator Assy., Effluent (Includes Items 5 9 And 12 14) ●■◆
10	640-0108	1	Drive Assy., 640, 108° ◆		640-10		Body Package, 640, Hyd., No (Includes Items 1 4 And 15 22) ●■◆
10	640-0127	1	Drive Assy., 640, 127° ◆		640-51		Body Package, 640, Hyd., No, Bsp (Includes Items 1 4 And 15 22) ●■◆
10	640-0148	1	Drive Assy., 640, 148° ◆		640-20		Body Package, 640, Com (Includes Items 1 4 And 19) ●■◆
10	640-0173	1	Drive Assy., 640, 173° ◆		640-52		Body Package, 640, Com, Bsp (Includes Items 1 4 And 19) ●■◆
10	640-0192	1	Drive Assy., 640, 192° ◆		89-9080		Rubber Cover Upgrade Kit #40 (Includes Items 1, 2 And 5 9) ●■
10	640-0238	1	Drive Assy., 640, 238° ◆				
11		1	Seal Assy. (See Service Item 35-4280) ▲				
12	35-1529		Stator Assy., #40 (Includes Items 13 And 14)				
12	35-1359		Stator Assy., #41 (Includes Items 13 And 14)				
12	9-2816		Stator Assy., #42 (Includes Items 13 And 14)				
12	9-2817		Stator Assy., #43 (Includes Items 13 And 14)				
12	35-1701		Stator Assy., #44 (Includes Items 13 And 14)				
13	9-2072	1	Screen				
14	9-2633	1	Seat, Com				
15	89-4702	1	Snap Ring, Valve				
16	9-1485	1	Cylinder Assy., No & Com				
17	3-2633	1	Spring, Valve, No, El & Nc				
18	89-8082	1	Piston Assy., Hyd., No				
19	9-2099	1	Body Assy., Com				
19	35-2076	1	Body Assy., Com (Bsp)				
19	89-8088		Body Assy., Hyd., No				
19	89-8089		Body Assy., Hyd., No (Bsp)				
20	9-6002	1	Adapter-Tubing, Threaded, 1/4"				
21	89-8157	1	Cap, 1/4", Poly, No				
22	900-40	1	Retainer, Tube, Pr And Cr ◆				

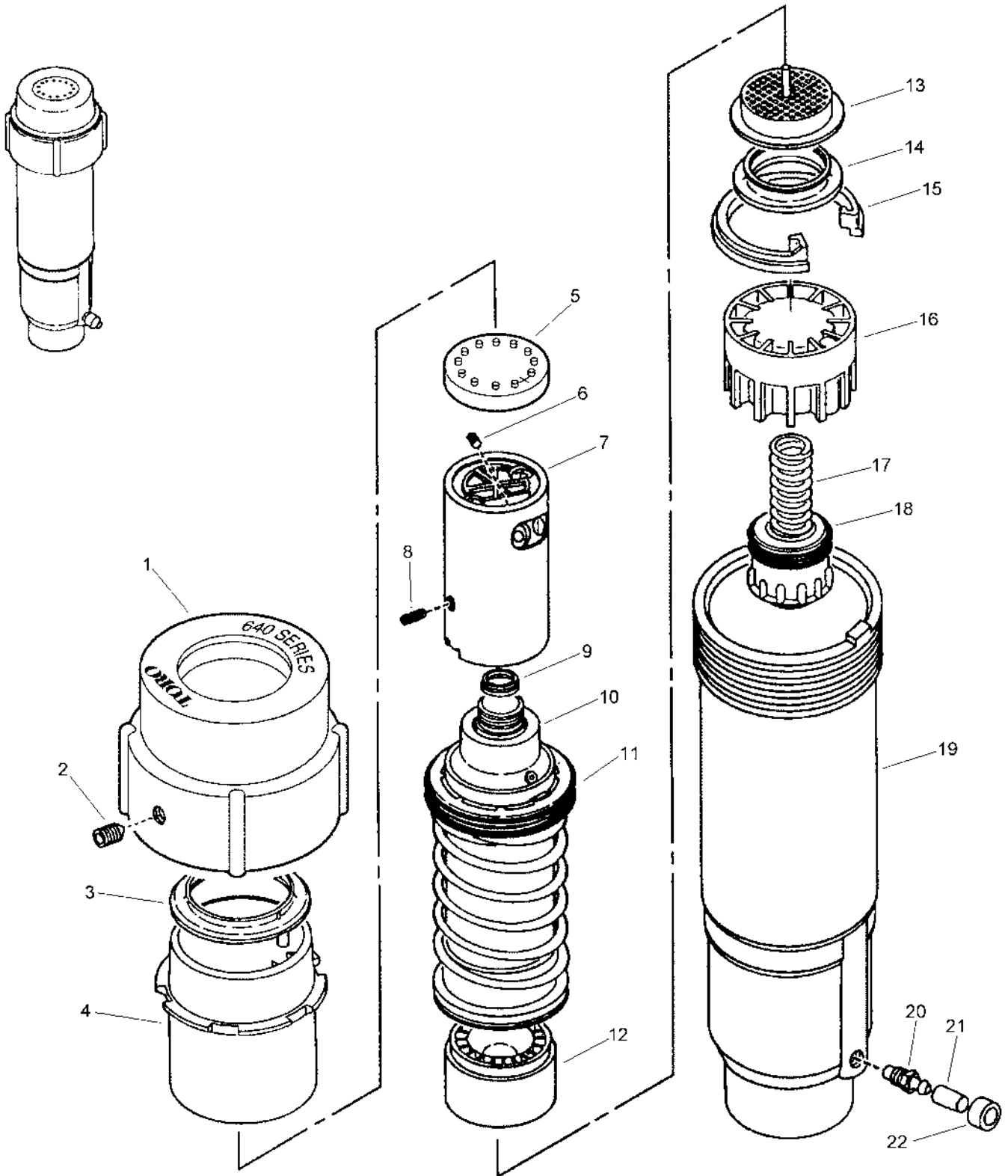
● SERVICE ITEMS

▲ Not serviced separately

◆ Order Through Finished Goods Distribution System - Minneapolis

■ Not illustrated

640 (continued)



640 (continued)

<i>Ref.</i>	<i>Part Number</i>	<i>Qty.</i>	<i>Description</i>	<i>Ref.</i>	<i>Part Number</i>	<i>Qty.</i>	<i>Description</i>
	89-9083		Rubber Cover Upgrade Kit #43 (Includes Items 1, 2 And 5 9) ●■		89-7984		Retainer, Rubber Cover ●■
	89-9084		Rubber Cover Upgrade Kit #44 (Includes Items 1, 2 And 5 9) ●■		89-3744		Rubber Cover, Cap ●■
	35-3652		Container, Nozzle (Pre-1993 Models) ●■		995-100		Valve Snap Ring Pliers With Screen Remover ●■
	35-9113		Container, Nozzle (Without Set Screw Hole, Pre-1993 Models) ●■		995-08		Valve Removal Tool ●■
	9-6086		Rubber Cover, Nozzle (Pre-1993 Models) ●■		995-35		Valve Insertion Tool ●■
					995-37		Seal Installation Tool ●■
					995-42		640 Canister Removal Tool ●■
					996-51		Cap Removal Tool ●■

● SERVICE ITEMS

▲ Not serviced separately

◆ Order Through Finished Goods Distribution System - Minneapolis

■ Not illustrated