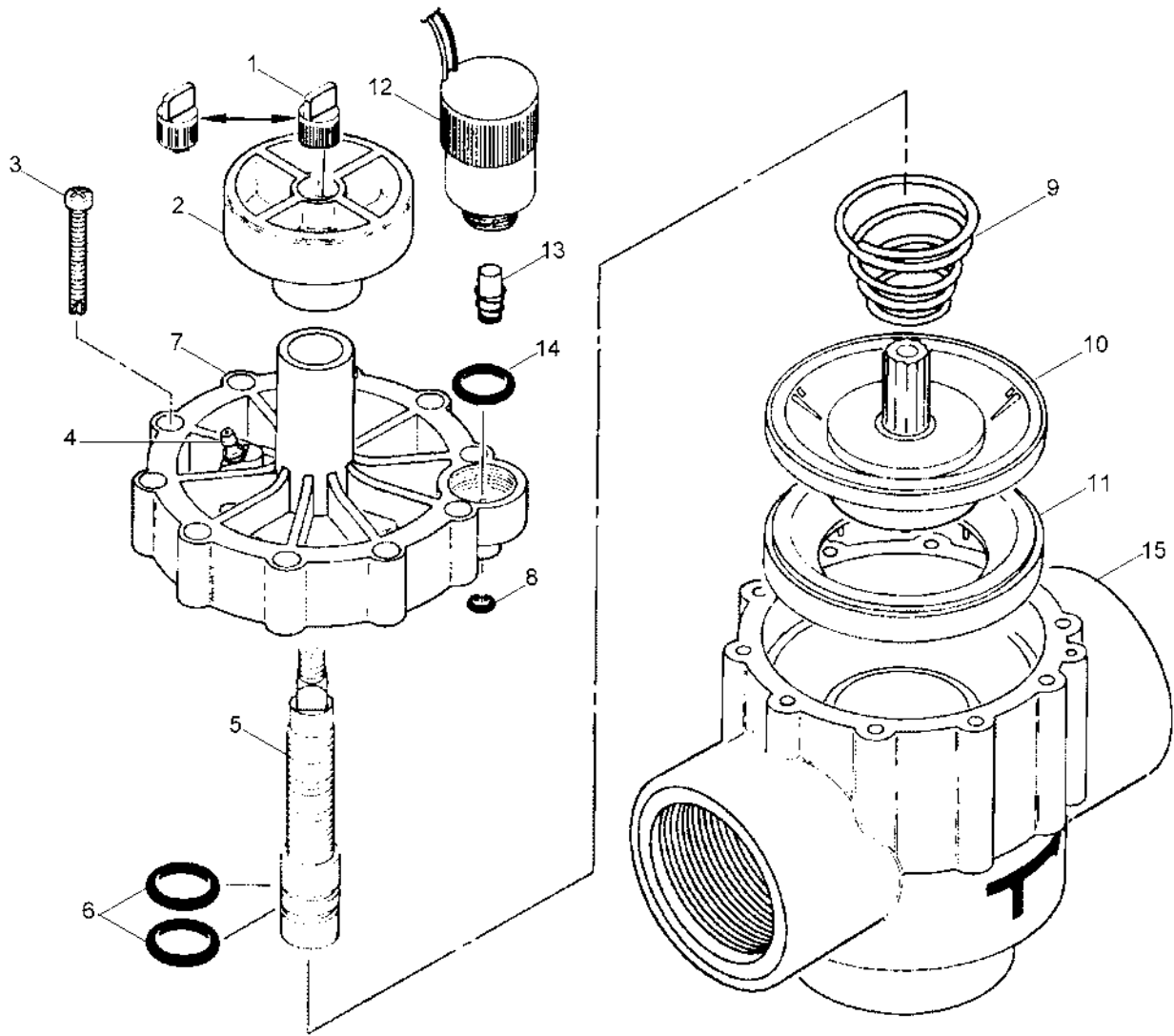


252 Series, 1.5 Inch (Sheet 1 of 2)

Ref.	Part Number	Qty.	Description
1	35-4521	1	Bleed Cap ASM, W/ Pin, EI, Fast Closing
1	35-1748	1	Bleed Cap ASM, W/O Pin, No And Pt
1	89-7855	1	Bleed Cap ASM, W/O Pin, No And Pt, Effluent
2	35-3777	1	Knob, Handle, Cross
3	360-0203	10	Screw, Tap, #10-25 X 1-3/4, Sst
4		1	Cap, Valve, EI ●
4		1	Cap, Valve, No & Pt (See Service Items) ●
4		1	Cap, Valve, Pr (See Service Items) ●
4		1	Cap, Valve, Cr (See Service Items) ●
5	35-1983	1	Stem-Flow Control

Ref.	Part Number	Qty.	Description
6	360-0220	2	O-Ring (0.070 X 0.551 X 0.691) (As568-015)
7	9-6791	1	Connector, Poly, No And Pr
8	1-2035	1	O-Ring, EI, Pr And Cr (0.070" X 0.114" X 0.254") (As568-006)
9	9-4425	1	Spring, Diaphragm, Pt
10	89-0812	1	Diaphragm ASM, EI
10	89-0814	1	Diaphragm ASM, Pt
10	89-0813	1	Diaphragm ASM, No, Pr And Cr
11	89-6110	1	Support-Diaphragm
12	118-0248	1	Solenoid Assy., EI, Pr And Cr
13	35-4609	1	Plunger ASM, EI, Pr And Cr
14	360-0220	1	O-Ring (0.070 X 0.551 X 0.691) (As568-015)
15	9-7100	1	Body ASM, No And Pt, Npt

● Not serviced separately



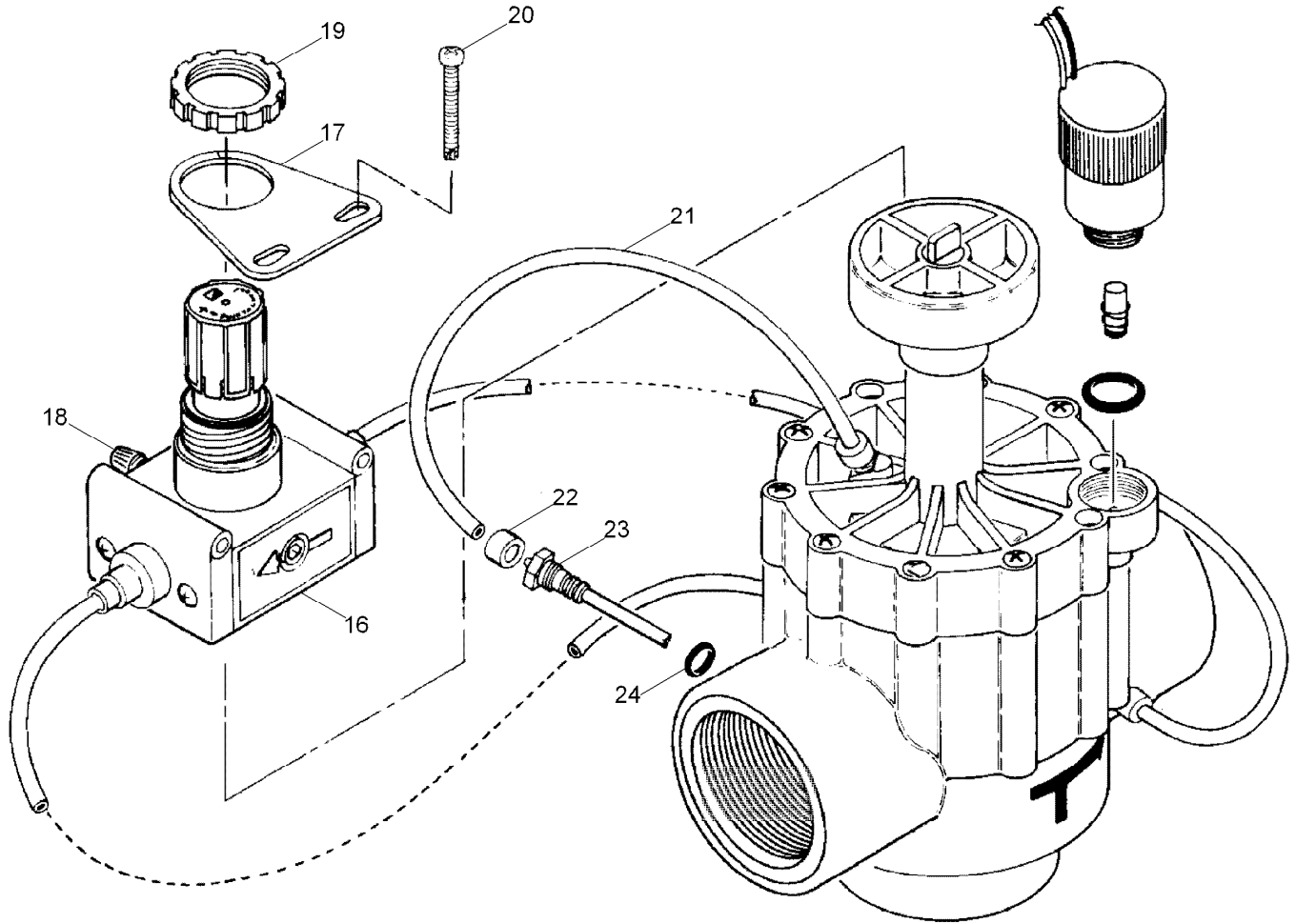
252 Series, 1.5 Inch (Sheet 1 of 2) (continued)

Ref.	Part Number	Qty.	Description
15	9-7238	1	Body ASM, El, Npt
15		1	Body Assy., No & Pt, Bsp ●
15	35-1973	1	Body ASM, El, Bsp
15	35-4937	1	Body ASM, Pr, Npt

Ref.	Part Number	Qty.	Description
15	35-5642	1	Body ASM, Pr, Bsp
15	89-4805	1	Body ASM, Cr, Npt
15	89-6036	1	Body ASM, Cr, Bsp

● Not serviced separately

252 Series, 1.5 Inch Valve (Sheet 2 of 2)



252 Series, 1.5 Inch Valve (Sheet 2 of 2) (continued)

<i>Ref.</i>	<i>Part Number</i>	<i>Qty.</i>	<i>Description</i>	<i>Ref.</i>	<i>Part Number</i>	<i>Qty.</i>	<i>Description</i>
16	363-3141	1	Regulator-Water Pressure, Plastic Valve, Pr	89-8157			Cap, 1/4", Poly, No ●■
17	35-3444	1	Bracket, Regulator, Pr	35-9346			Bleed Cap ASM, W/Pin, Slow-Closing ●■
18	363-1762	1	Valve, Schrader, 1/8", Pr, Npt	35-0595			Cap ASM, Valve, El ●■
19	363-1894	1	Nut-Regulator, Pr	35-0769			Cap ASM, Valve, No And Pt ●■
20	360-0203	2	Screw, Tap, #10-25 X 1-3/4, Sst	35-4935			Cap ASM, Valve, Pr And Cr ●■
21	9-2623	3	Tube, 1/4" X 8", El	35-4926			Regulator ASM, Plastic Valve, Pr ●■
21	9-2624	1	Tubing, Poly, 1/4" X 11.5", Cr	89-0817			Diaphragm Kit, 1.5, El ●■
22	900-40	6	Retainer, Tube, Pr And Cr ▲	89-0818			Diaphragm Kit, 1.5, No ●■
23	35-4619	1	Filter Assy., 1/4", Regulator, Pr And Cr	89-0814			Diaphragm ASM, Pt ●■
24	360-0494	1	O-Ring (0.070" X 0.426" X 0.566") Pr And Cr (As568-013)	89-9453			Service Kit, Valve, 1.5, No ●■
	35-3099		Solenoid ASM, El And Pr And Cr ●■	89-3853			Service Kit, Valve, 1.5, El ●■
				89-3892			Service Kit, Valve, 1.5, Pt ●■

● SERVICE ITEMS

▲ Order Through Finished Goods Distribution System - Minneapolis

■ Not illustrated