

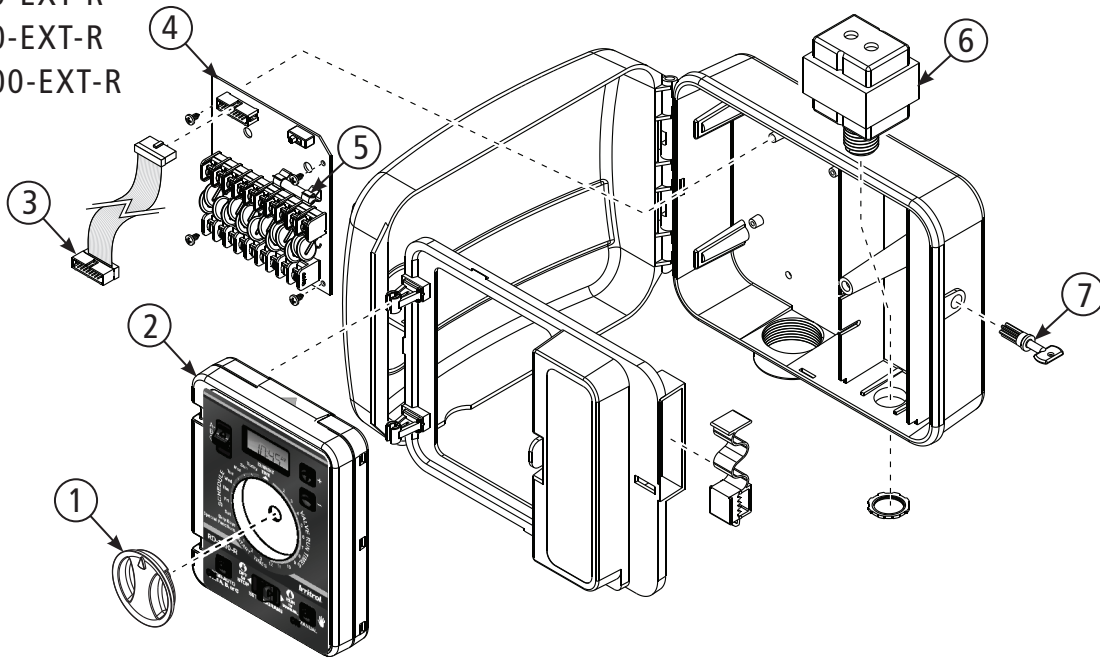
CONTROLLERS

RAIN DIAL® SERIES HYBRID



OUTDOOR MODELS:

- RD600-EXT-R
- RD900-EXT-R
- RD1200-EXT-R



NOTE: The new Rain Dial-R module will retrofit older Rain Dial cabinets.

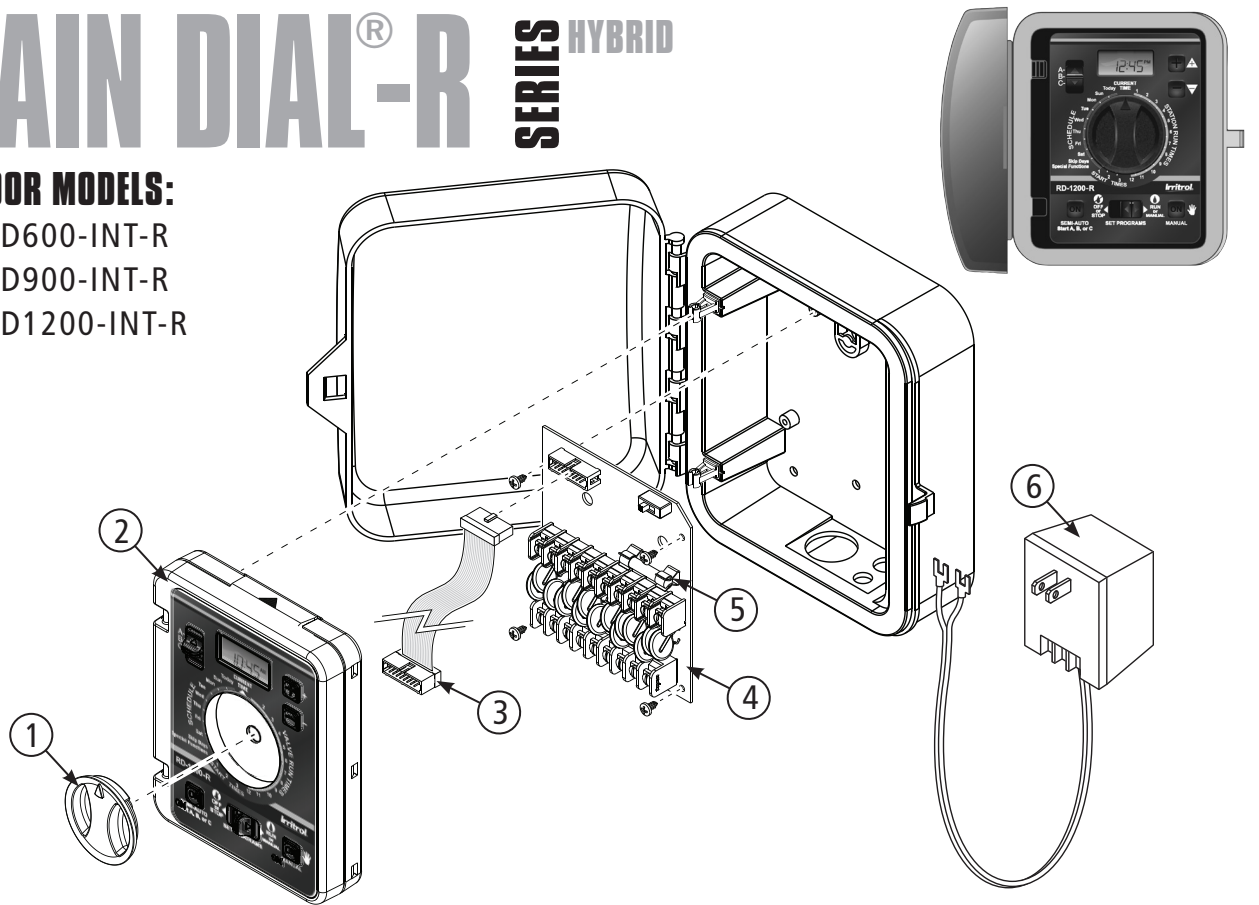
REF.#	DESCRIPTION	RD600-EXT-R PART NO.	RD900-EXT-R PART NO.	RD1200-EXT-R PART NO.
1	Select Knob, Rain Dial	638702	638702	638702
2	Module Assembly	RD-6 MOD-R	RD-9 MOD-R	RD-12 MOD-R
3	Cable, Adapter, 20 x 16 Pin	R102-5476	R102-5476	R102-5476
4	Terminal Board Assembly	102-7995	102-7995	102-7995
4	Terminal Board Assembly "Lead Free"	102-8283	102-8283	102-8283
5	Fuse 2 amp SLO-BLO	363-8640	363-8640	363-8640
6	Transformer Assembly, 120 VAC, 60 HZ	R675302	R675302	R675302
6	Transformer Assembly, 220 VAC, 50 Hz	R363-2415	R363-2415	R363-2415
6	Transformer Assembly, 240 VAC, 50 Hz	R719102	R719102	R719102
6	Transformer, Corded, 240 VAC, 30 VA	363-9541C	363-9541C	363-9541C
7	Key	R8969	R8969	R8969
	Door Label Instructions	Visit www.irritrol.com to download		
	Instruction Manual	Visit www.irritrol.com to download		

CONTROLLERS

RAIN DIAL® SERIES HYBRID

INDOOR MODELS:

- RD600-INT-R
- RD900-INT-R
- RD1200-INT-R



NOTE: The new Rain Dial-R module will retrofit older Rain Dial cabinets.

REF.#	DESCRIPTION	RD600-INT-R PART NO.	RD900-INT-R PART NO.	RD1200-INT-R PART NO.
1	Select Knob, Rain Dial	638702	638702	638702
2	Module Assembly	RD-6 MOD-R	RD-9 MOD-R	RD-12 MOD-R
3	Cable Adapter, 20 x 16 Pin	R102-5476	R102-5476	R102-5476
4	Terminal Board Assembly	102-7995	102-7995	102-7995
4	Terminal Board Assembly "Lead Free"	102-8283	102-8283	102-8283
5	Fuse 2 amp SLO-BLO	363-8640	363-8640	363-8640
6	Transformer Assembly, 120 VAC, 60 Hz	R201902	R201902	R201902
	Instruction Manual	Visit www.irritrol.com to download		
	Door Label Instructions	Visit www.irritrol.com to download		