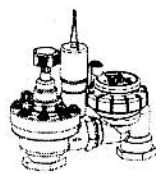




Automatic Anti-Siphon Valve Models 2711APR, 2713APR, 2711DPR & 2713DPR Installation and Operating Instructions

Specifications

- Connections: 3/4" NTP (2711) or 1" NTP (2713)
- Voltage: 24 V a.c., (18 V a.c. Min.)
Inrush: 0.40 amps, 11.50 VA @ 24 V a.c.
Holding: 0.20 amps, 5.75 VA @ 24 V a.c.
- Operating Pressure: 10 to 150 PSI
- Flow Range: 5 to 30 GPM
- Friction Loss:



2711 / 2713APR



2711 / 2713DPR

GPM Flow	5	10	15	20	30
PSI Loss (2711)	4.14	4.11	4.72	7.60	—
PSI Loss (2713)	2.03	3.10	2.22	3.72	8.01

Installation Guidelines

Ensure the following requirements, in addition to all local code requirements, are met when installing an anti-siphon valve:

- The installed height, measured from the valve base, must not be less than of 6" above the highest downstream outlet controlled by the valve.
- The anti-siphon valve must not be subject to standing water which can rise to less than 6" from the base of the valve.
- The anti-siphon valve must **not** be installed indoors (some spillage may occur) or in a valve box below ground level.
- The installation site must be accessible to allow inspection and servicing.
- Additional control valves must **not** be installed downstream of the anti-siphon valve.
- The anti-siphon valve must be installed vertically with the top of the anti-siphon cap level.
- The valve must not be operated continuously for more than 12 hours in any 24-hour period.
- Installing a manual shut-off valve between the main water supply and automatic valve or valve manifold is recommended for ease of valve maintenance and sprinkler system winterization.

Installation Procedure

Step 1. Flush the valve supply line thoroughly before installing the valve. Use three to five wraps of PTFE tape on male pipe threads.

CAUTION: Use only Teflon tape on threaded valve connections. Pipe dope will damage plastic threads.

Step 2. Note the flow direction arrow on the side of the body. Install the valve inlet onto the supply pipe threads hand tight. (Use a wrench only to straighten the valve into position.)

Step 3. Screw the outlet pipe into the valve with a wrench, holding the valve by hand as the outlet pipe is tightened.

Step 4. Run 18-gauge,* multi-wire, direct-burial sprinkler system cable underground from the valves to the sprinkler timer. Make sure all splices are joined with waterproof wire connectors to prevent corrosion and short circuit. Connect one common wire to either solenoid lead of all valves. At the timer, connect this wire to the "Valve Common" terminal. Connect an individual wire to each remaining valve solenoid lead. At the timer, connect these wires to the numbered output terminals in the order you want the valves to run during automatic operation.

*If wiring run is 800–2000 feet, use 14-gauge wire.

Manual Operation

Bleed Screw (external bleed): To open the valve, turn the bleed screw (A) counterclockwise one full turn or until water begins discharging past the bleed screw threads.

To close the valve, turn the bleed screw clockwise until it stops. Do not over-tighten! The valve may take a few seconds to close.

Note: Removing the bleed screw is not required for manual operation, but can be removed to help flush debris from the upper diaphragm area.

Bleed Handle (internal bleed): To open the valve, move the bleed handle (B) counterclockwise to the stop. The valve will open as discharge water is routed internally downstream. To close the valve, move the handle clockwise until resistance is felt. Do not over-tighten!

Flow Control Adjustment

The valve is set for maximum flow at the factory. If flow adjustment is required, use the following procedure:

For APR valves (Figure 1): While the valve is operating, turn the flow control knob (C) clockwise to decrease flow or counterclockwise to increase flow.

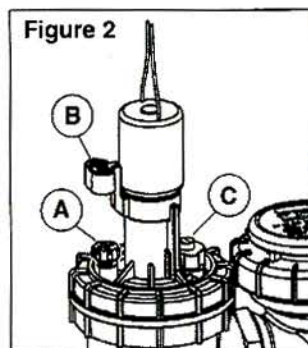
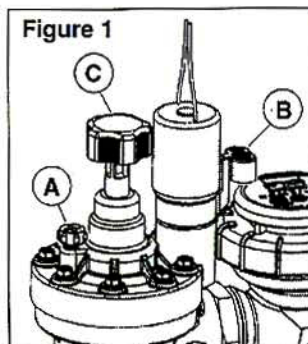
For DPR valves (Figure 2): While the valve is operating, use a small screwdriver to turn the flow control screw (C) clockwise to decrease flow or counterclockwise to increase flow.

Note: Flow control screw requires approximately seven turns to adjust from maximum to minimum flow.

CAUTION: Do not use the flow control to shut off the valve. Do not force the flow control screw past the end of normal adjustment travel. Damage to the flow control components can occur.

Winterization

When winterizing the sprinkler system using compressed air, operate each valve manually from the timer or at the valve for a minimum of one minute, enabling each valve to drain thoroughly.



Trade Warranty

Irritrol and its affiliate, Irritrol Warranty Company, pursuant to an agreement between them, warrants to its trade customers that its products will be free from original manufacturing defects in materials and workmanship.

"One"

For the first year from the date of original sale, Irritrol offers "Hassle-Free" over the counter exchange of products found to have original manufacturing defects.

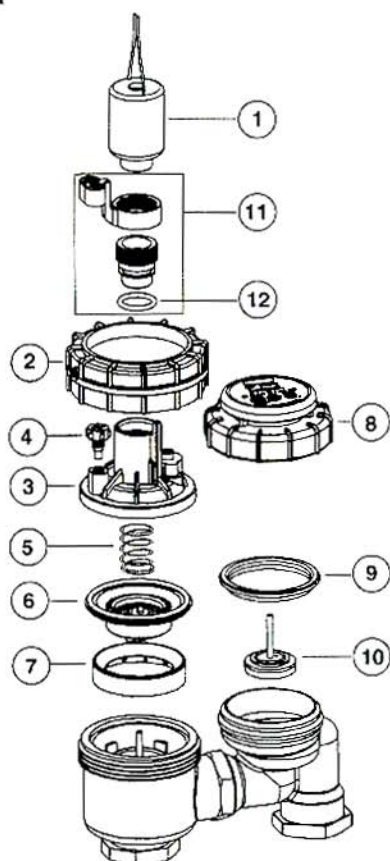
"Five"

For years two through five from the date of original sale, we will repair or replace — without charge — all parts found to have original manufacturing defects, provided the product is returned at customer's expense.

This warranty does not apply to loss or damage to the product due to improper installation, abuse, alteration, mishandling, accident, or if the product has been serviced by other than Irritrol Systems or its authorized service centers. This warranty is not a consumer warranty and does not extend to anyone other than those trade customers who purchase Irritrol Systems products. Neither Irritrol Systems nor Irritrol Warranty Company is liable for failure of products not manufactured by Irritrol Systems even though such products may be sold or used in conjunction with Irritrol System products. Neither Irritrol Systems nor Irritrol Warranty Company is liable for indirect, incidental or consequential damages, including but not limited to vegetation loss during periods of malfunction or resulting non-use. Neither Irritrol Systems nor Irritrol Warranty Company is liable for any loss or damage and property damage resulting from installer's negligence.

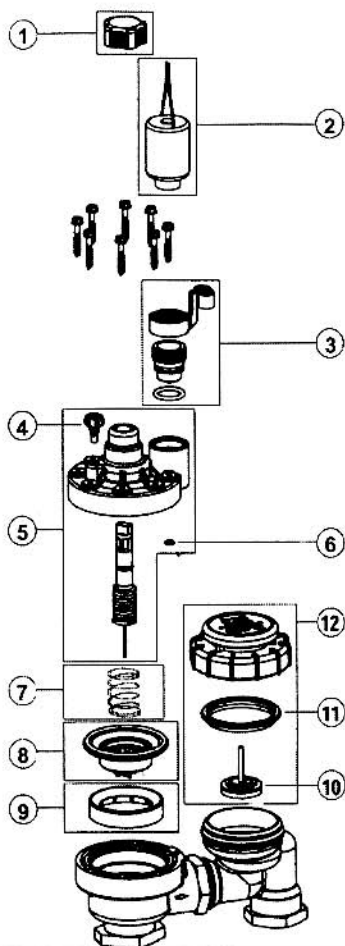
This warranty is the only warranty made by Irritrol or Irritrol Warranty Company. It replaces all other express warranties and all implied warranties are disclaimed including the implied warranties of merchantability and fitness for a particular purpose.

Valve Replacement Parts
Models 2711DPR & 2713DPR



Item No.	Description	Part Number
1	Solenoid Assembly, 24 VAC, 60 Hz	R811-24VACG
1	Solenoid Assembly, 24 VAC, 50 Hz	588403
2	Nut Cap	549101
3	Cover Assembly, Flow Adjust	534801
4	Bleed Screw	100229
5	Spring	100235
6	Diaphragm Assembly	100236
7	Divider	100237-H
8	Anti-siphon Cover Assembly (2711DPR)	R217104
8	Anti-siphon Cover Assembly (2713DPR)	R519108
9	O-Ring (Anti-Siphon) (2711DPR)	100241
9	O-Ring (Anti-Siphon) (2713DPR)	100233
10	Stem Assembly (2711DPR)	100246
10	Stem Assembly (2713DPR)	100234-H
11	Manual Bleed Assembly	R606902
12	O-Ring	R1631

Valve Replacement Parts
Models 2711APR & 2713APR



Item No.	Description	Part Number
1	Knob	R835601
2	Solenoid Assembly, 24 V a.c., 60 Hz	R811-24VACG
2	Solenoid Assembly, 24 V a.c., 50 Hz	588403
3	Manual Bleed Assembly	R606902
4	Bleed Screw	100229
5	Cover Assembly	R1074601
6	O-Ring	121001
7	Spring	R153201
8	Diaphragm Assembly	539001
9	Divider	100237-H
10	Stem Assembly (2711APR)	100246
10	Stem Assembly (2713APR)	100234-H
11	O-Ring (Anti-Siphon) (2711APR)	100241
11	O-Ring (Anti-Siphon) (2713APR)	100233
12	Anti-siphon Cover Assembly (2711APR)	R217104
12	Anti-siphon Cover Assembly (2713APR)	R519108