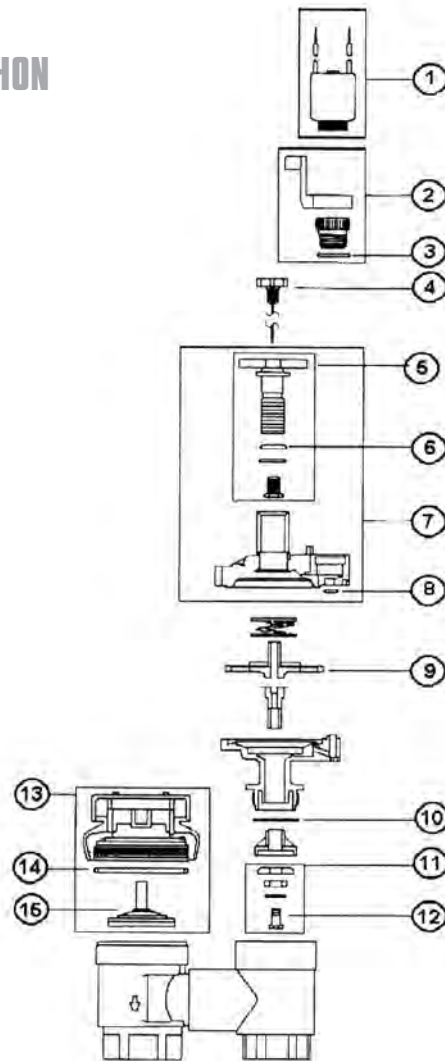


# VALVES

## 311A SERIES ELECTRIC ANTI-SIPHON

### MODEL NUMBERS:

- 311A-.75
- 311A-1



REF.#	DESCRIPTION	311A-.75 PART NUMBERS	311A-1 PART NUMBERS
1	Solenoid Assembly, 24 VAC, 60 Hz	R811-24VACG	R811-24VACG
1	Solenoid Assembly, 24 VAC, 50 Hz	588403	588403
2	Manual Bleed Assembly	R606902	R606902
3	O-Ring	R1631	R1631
4	Metering Rod Assembly	R-2025	R-2025
5	Flow Adjustment Assembly	R2862-1	R2862-1
6	O-Ring	R688701	R688701
7	Bonnet Assembly	R933601	R933601
8	O-Ring	R1054	R1054
9	Diaphragm Stem Assembly (includes Ref. Nos. 2 & 8)	R727001	R726901
10	O-Ring	R726801	R726701
11	Seat Seal Assembly	R650001	R650002
12	Seat Seal Screw	R544101	R544101
13	Anti-siphon Cover Assembly	R728001	R728001
14	O-Ring	R2797	R2797
15	Stem Assembly	R727901	R727901