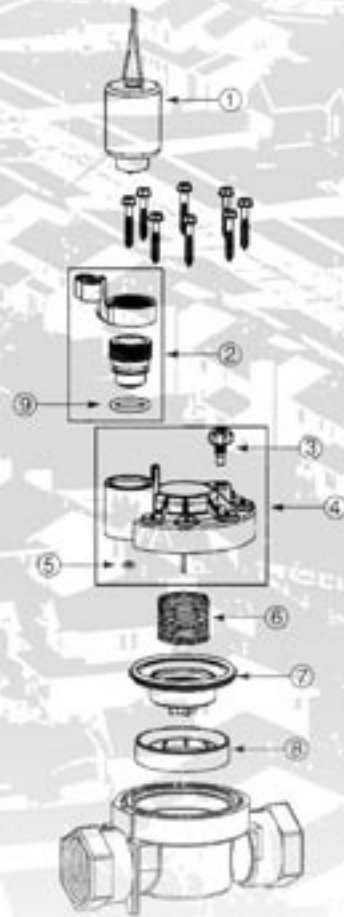
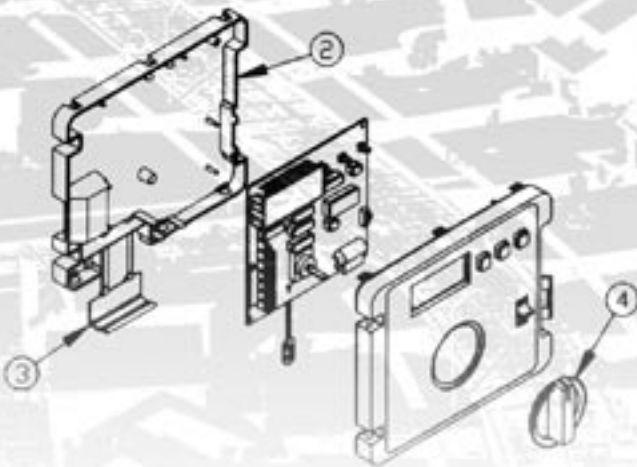


TURF IRRIGATION PRODUCTS

Illustrated Parts Breakout

Effective August 2005



Irritrol[®]
SYSTEMS

Table of Contents

| | |
|-----------------------------------------|-------|
| Controllers | 2-24 |
| 304/306 Series | 2-3 |
| 446/476 Series | 4-5 |
| 508/512 Series | 6 |
| HR-6100 Series | 7 |
| Slim Dial™ | 8 |
| KwikDial™ Series | 9-10 |
| Rain Dial® Series | 11-12 |
| Rain Dial® Series Module | 13 |
| Rain Dial® Plus Series | 14-15 |
| Rain Dial® Plus Series Module | 16 |
| Total Control® Series | 17-18 |
| Total Control® Series Module | 19 |
| MC Plus Series | 20-21 |
| IBOC Plus Series | 22 |
| Dial Series | 23-24 |

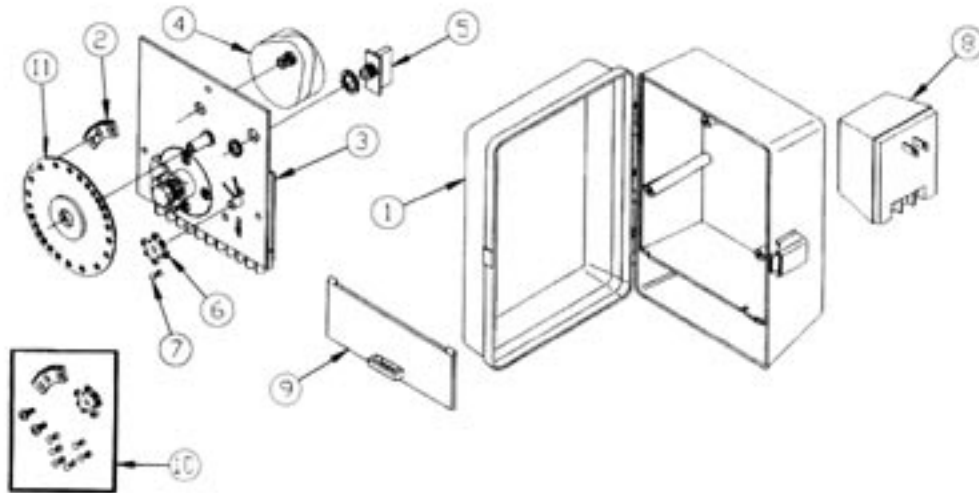
| | |
|-------------------------------------|-------|
| Valves | 25-54 |
| 2700 Series (Manual) | 25 |
| 700 Series (Manual) | 26 |
| 2700 Series (Electric) | 27-28 |
| 700 Series (Electric) | 29 |
| 2400 Series | 30 |
| 2600 Series | 31 |
| 2500 Series | 32-33 |
| 205 Series | 34-35 |
| 200 Series | 36-38 |
| 200B Series | 39 |
| 700 Series (UltraFlow) | 40-43 |
| HR1 Series | 44-45 |
| Century Series | 46-48 |
| 100 Series (Century PLUS) | 49 |
| 623DPR Series | 50 |
| 756DPR Series | 51 |
| 300 Series | 52-54 |

| | |
|-------------------------|----|
| Valve Regulators | 55 |
| OmniReg™ | 55 |

304/306 Series

Model Numbers:

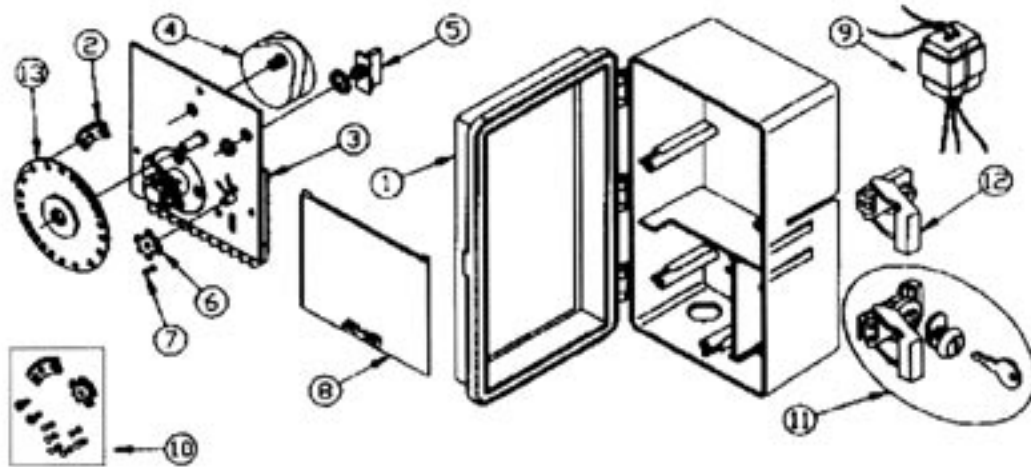
- 304PRi
- 306PRi



| Ref. # | Description | 304PRi Part Numbers | 306PRi Part Numbers |
|--------|---------------------------------------|------------------------|------------------------|
| 1 | Cabinet Assembly | R722001 | R722001 |
| 2 | Tripper Gear | R402-59 | R402-59 |
| 3 | Panel/Switch/PCB | R729701 | R729701 |
| 4 | Timing Motor, 60 Hz | R406-3 | R406-3 |
| 5 | Circuit Breaker | R430-5 | R430-5 |
| 6 | Skip Wheel, 6-day | R402-94 | R402-94 |
| 6 | Skip Wheel, 7-day | R402-95 | R402-95 |
| 7 | Skip-a-Day Pins | R729801 | R729801 |
| 8 | Transformer Assembly, 120 V ac, 60 Hz | R693201 | R693201 |
| 9 | Terminal Cover | R304-84 | R406-182 |
| 10 | Accessory Pack (Skip-a-Day) | R208701 | R208701 |
| 11 | Dial/Ratchet Assembly | R205702 | R205702 |
| | Door Label Instructions | 1050901 | 1050901 |
| | Instruction Manual | 1047901 | 1047901 |

Model Numbers:

- 304PR
- 306PR

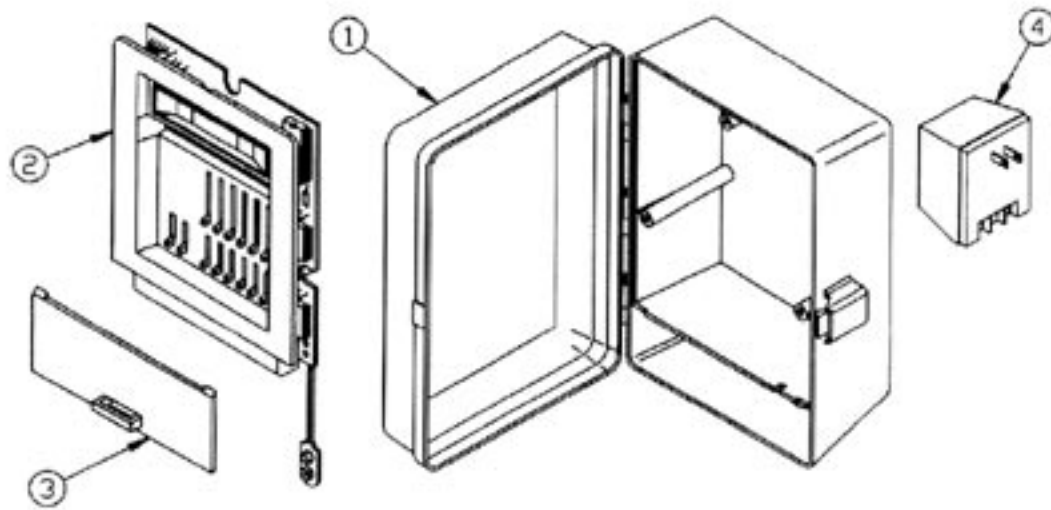


| Ref. # | Description | 304PR | 306PR |
|--------|---------------------------------------|--------------|--------------|
| | | Part Numbers | Part Numbers |
| 1 | Cabinet Assembly | 722305 | R618701 |
| 2 | Tripper Gear | R402-59 | R402-59 |
| 3 | Panel/Switch/PCB | R729701 | R729701 |
| 4 | Timing Motor, 60 Hz | R406-3 | R406-3 |
| 5 | Circuit Breaker | 868601 | R430-5 |
| 6 | Skip Wheel, 6-day | R402-94 | R402-94 |
| 6 | Skip Wheel, 7-day | R402-95 | R402-95 |
| 7 | Skip-a-Day Pins | R729801 | R729801 |
| 8 | Terminal Cover | R695501 | R695501 |
| 9 | Transformer Assembly, 120 V ac, 60 Hz | R675302 | R675302 |
| 9 | Transformer Assembly, 220 V ac, 50 Hz | R363-2415 | R363-2415 |
| 9 | Transformer Assembly, 240 V ac, 50 Hz | R719102 | R719102 |
| 10 | Accessory Pack (Skip-a-Day) | R208701 | R208701 |
| 11 | Lock & Latch Assembly | R720801 | R720801 |
| 11 | Key Only (CH751) | 683503 | 683503 |
| 12 | Non-locking Latch Assembly | R720701 | R720701 |
| 13 | Dial/Ratchet Assembly | R205702 | R205702 |
| | Door Label Instructions | 1050801 | 1050801 |
| | Instruction Manual | 1047901 | 1047901 |

446/476 Series

Model Numbers:

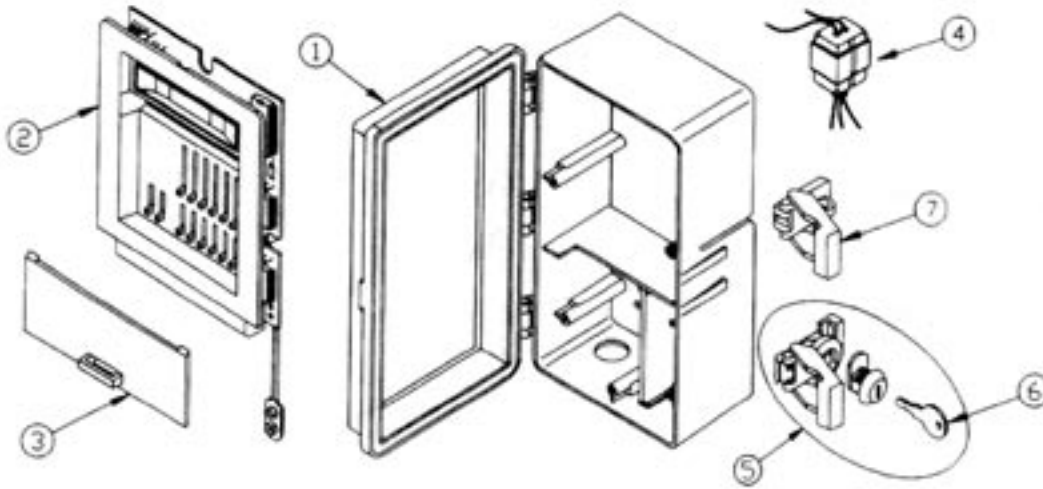
- 446PRi
- 476PRi



| Ref. # | Description | 446PRi | 476PRi |
|--------|---------------------------------------|--------------|--------------|
| | | Part Numbers | Part Numbers |
| 1 | Cabinet Assembly | R722001 | R722001 |
| 2 | Panel/Switch/PCB | R620001 | R620101 |
| 3 | Terminal Cover | R533501 | R533501 |
| 4 | Transformer Assembly, 120 V ac, 60 Hz | R693201 | R693201 |
| | Door Label Instructions | 1051601 | 1051901 |
| | Instruction Manual | 1048201 | 1048501 |

Model Numbers:

- 446PR
- 476PR

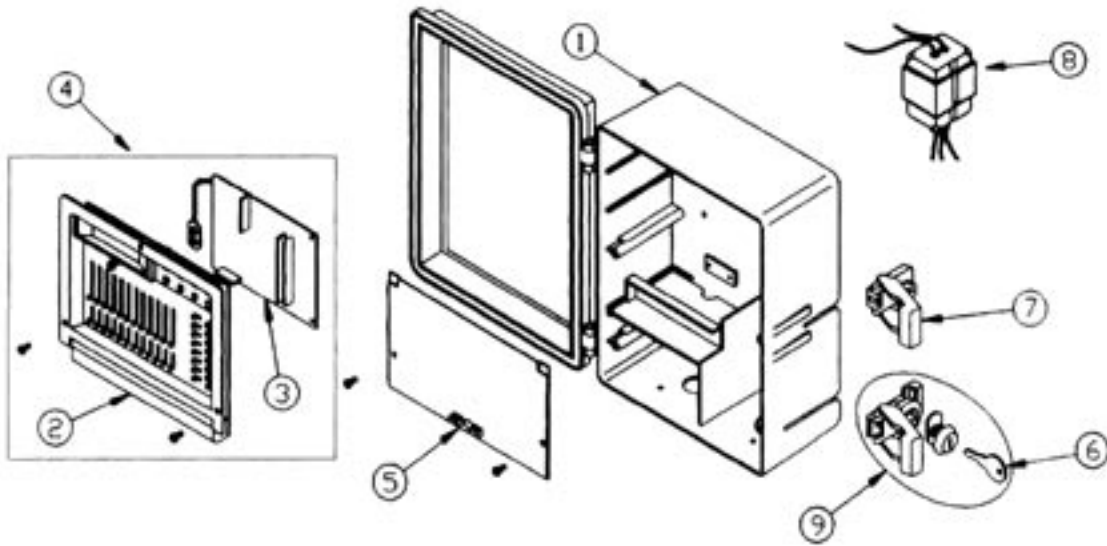


| Ref. # | Description | 446PR | 476PR |
|--------|---------------------------------------|--------------|--------------|
| | | Part Numbers | Part Numbers |
| 1 | Cabinet Assembly | R618701 | R618701 |
| 2 | Panel/Switch/PCB | R620001 | R620101 |
| 3 | Terminal Cover | R692201 | R692201 |
| 4 | Transformer Assembly, 120 V ac, 60 Hz | R675302 | R675302 |
| 4 | Transformer Assembly, 220 V ac, 50 Hz | R363-2415 | R363-2415 |
| 4 | Transformer Assembly, 240 V ac, 50 Hz | R719102 | R719102 |
| 5 | Lock & Latch Assembly | R720801 | R720801 |
| 6 | Key Only (H238) | 683503 | 683503 |
| 7 | Non-locking Latch Assembly | R720701 | R720701 |
| | Door Label Instructions | 1051501 | 1051501 |
| | Instruction Manual | 1048201 | 1048501 |

508/512 Series

Model Numbers:

- 508PRi
- 508PR
- 512PRi
- 512PR

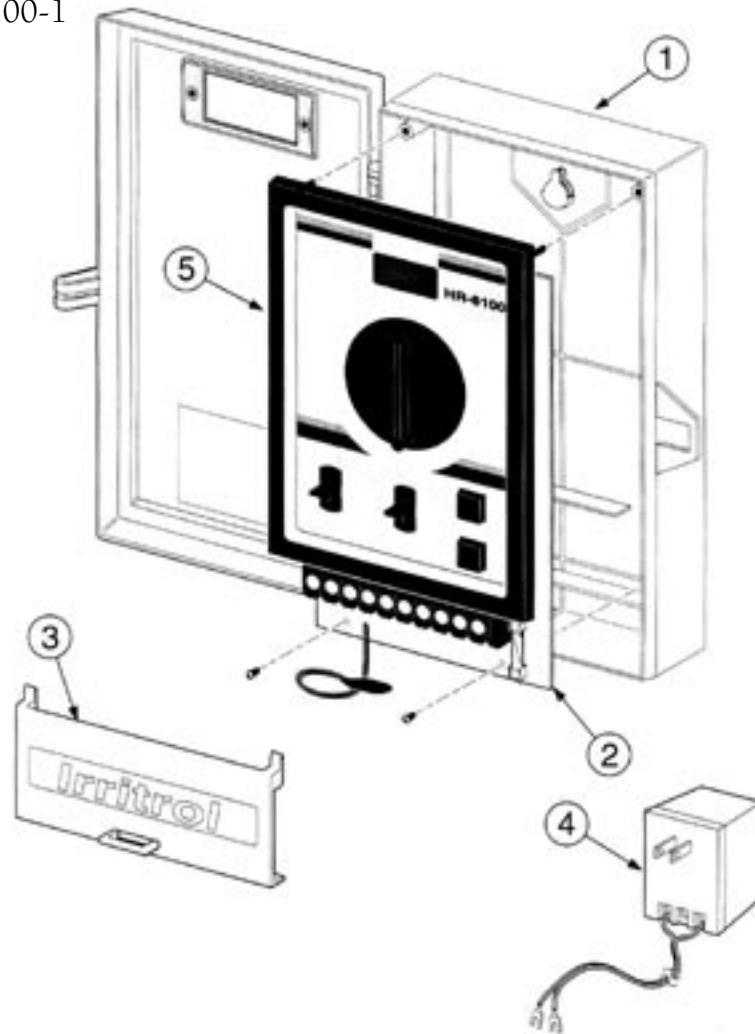


| Ref. # | Description | 508PRi Part Numbers | 508PR Part Numbers | 512PRi Part Numbers | 512PR Part Numbers |
|--------|---------------------------------------|------------------------|-----------------------|------------------------|-----------------------|
| 1 | Cabinet Assembly | R720601 | R720601 | R720601 | R720601 |
| 2 | Panel/Switch/PCB | R720502 | R720502 | R720501 | R720501 |
| 3 | PCB Assembly | R720403 | R720403 | R720401 | R720401 |
| 4 | Complete Panel/PCB | R720303 | R720303 | R720301 | R720301 |
| 5 | Terminal Cover | R608-44 | R608-44 | R608-44 | R608-44 |
| 6 | Key Only (HL238) | N/A | 683503 | N/A | 683503 |
| 7 | Non-locking Latch Assembly | R720701 | N/A | R720701 | N/A |
| 8 | Transformer Assembly, 120 V ac, 60 Hz | R675302 | R693201 | R675302 | R693201 |
| 8 | Transformer Assembly, 220 V ac, 50 Hz | N/A | R363-2415 | N/A | R363-2415 |
| 8 | Transformer Assembly, 240 V ac, 50 Hz | N/A | R719102 | N/A | R719102 |
| 9 | Lock & Latch Assembly | N/A | R720801 | N/A | R720801 |
| | Door Label Instructions | 1051001 | 1051101 | 1051301 | 1051301 |
| | Instruction Manual | 1048001 | 1048001 | 1048001 | 1048001 |

HR-6100 Series

Model Numbers:

- HR-6100
- HR-6100-1

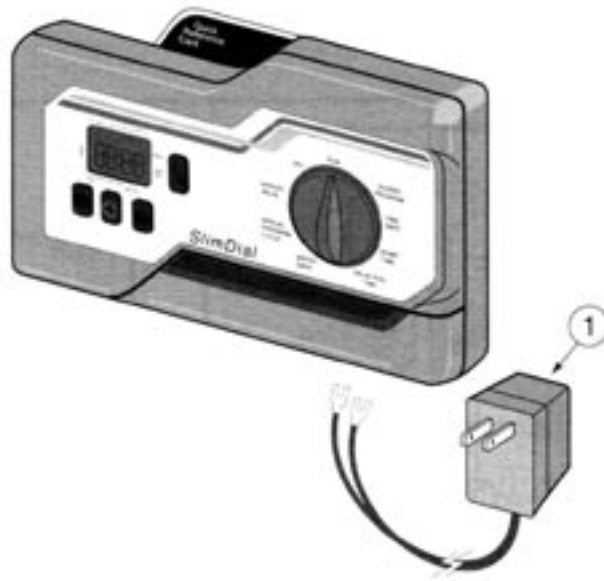


| Ref. # | Description | HR-6100 | HR-6100-1 |
|--------|---------------------------------------|--------------|--------------|
| | | Part Numbers | Part Numbers |
| 1 | Case Assembly, Gray | R698901 | R698901 |
| 2 | PCB Assembly | R692804 | R692802 |
| 3 | Terminal Cover, Black | R692601 | R692601 |
| 4 | Transformer Assembly, 120 V ac, 60 Hz | R201902 | R201902 |
| 5 | Front Panel Assembly | R692702 | R692702 |
| | Instruction Manual | 1048901 | 1048901 |

Slim Dial™

Model Number:

- SD6

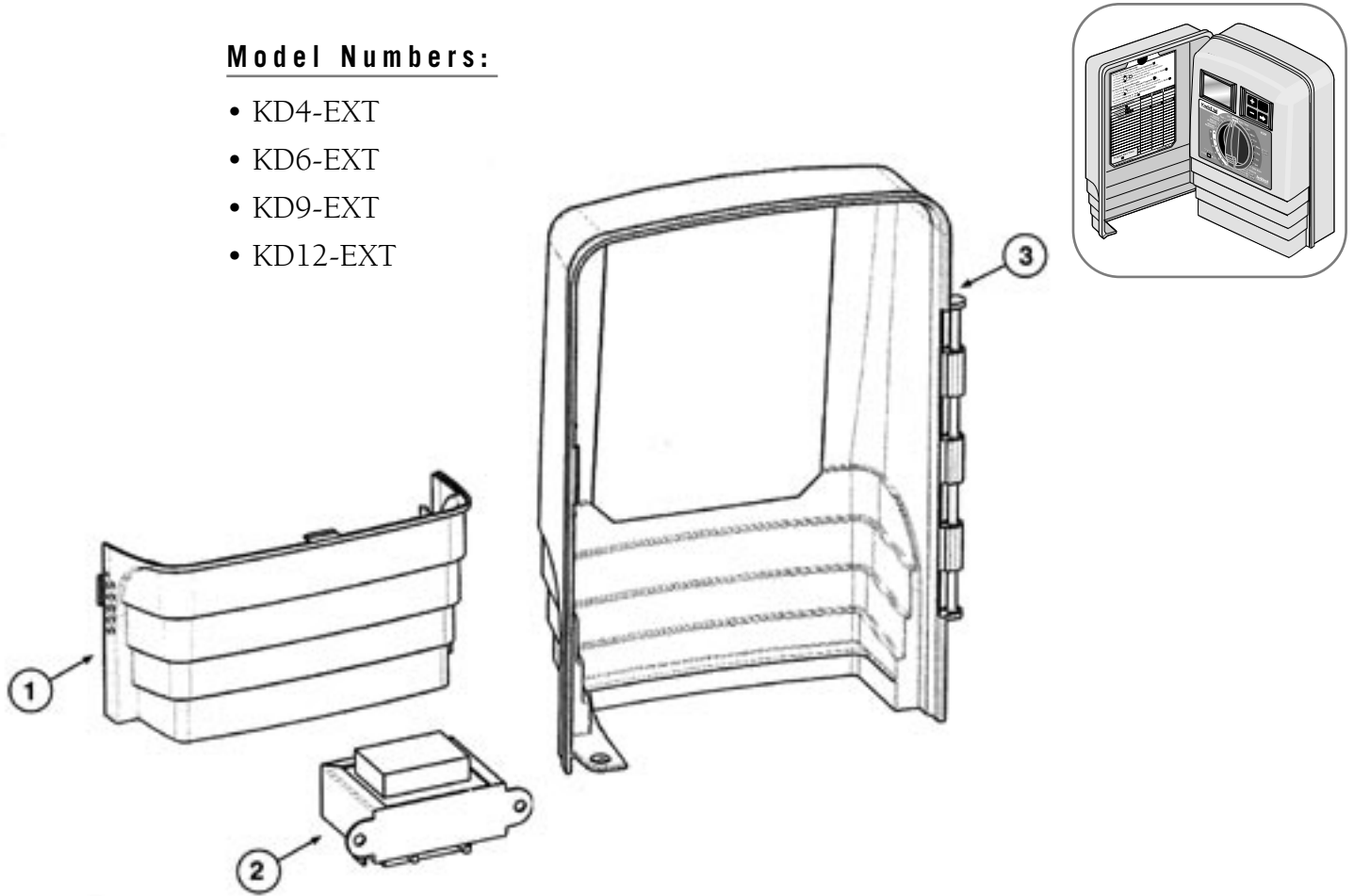


| | | SD6 |
|--------|---------------------------------------|--------------|
| Ref. # | Description | Part Numbers |
| 1 | Transformer Assembly, 120 V ac, 60 Hz | R201902 |
| | Instruction Manual | 1049701 |

KwikDial™ Series

Model Numbers:

- KD4-EXT
- KD6-EXT
- KD9-EXT
- KD12-EXT

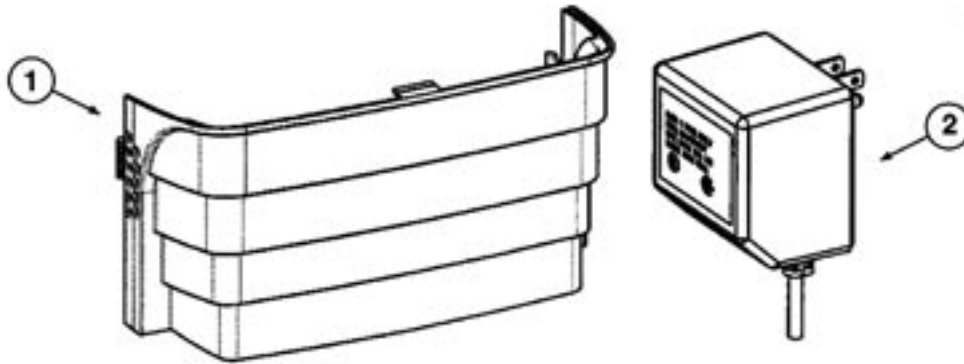
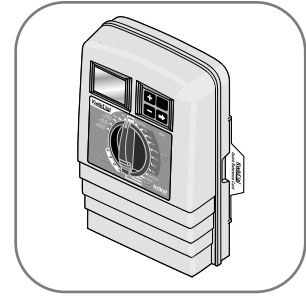


| | Model | KD4-EXT | KD6-EXT | KD9-EXT | KD12-EXT |
|--------|------------------------------|--------------|--------------|--------------|--------------|
| Ref. # | Description | Part Numbers | Part Numbers | Part Numbers | Part Numbers |
| 1 | Kit, Service, Panel, Lower | 102-4973 | 102-4973 | 102-4973 | 102-4973 |
| 2 | Kit, Service, XFMR, 115-120V | 102-4975 | 102-4975 | 102-4975 | 102-4975 |
| 3 | Kit, Service, Door | 102-4974 | 102-4974 | 102-4974 | 102-4974 |

KwikDial™ Series

Model Numbers:

- KD4-INT
- KD6-INT
- KD9-INT
- KD12-INT

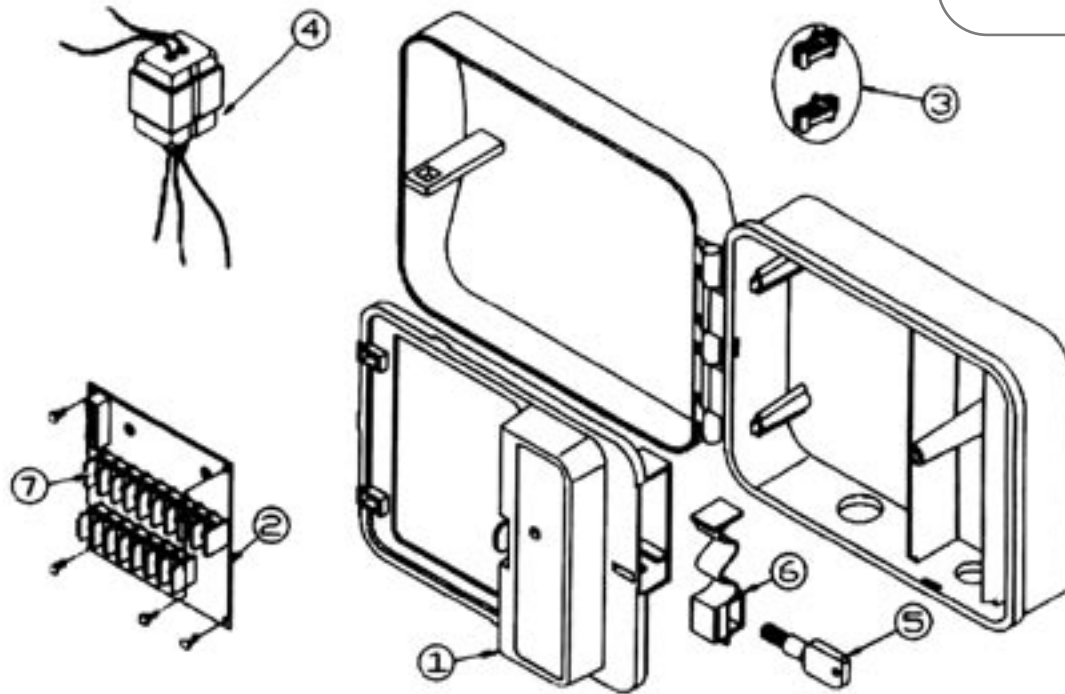
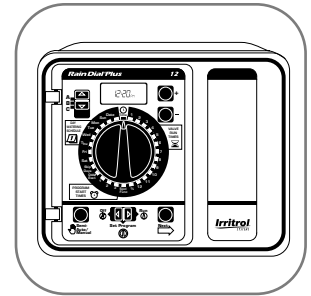


| Model | | KD4-INT | KD6-INT | KD9-INT | KD12-INT |
|--------|-----------------------------|--------------|--------------|--------------|--------------|
| Ref. # | Description | Part Numbers | Part Numbers | Part Numbers | Part Numbers |
| 1 | Kit, Service, Panel, Lower | 102-4973 | 102-4973 | 102-4973 | 102-4973 |
| 2 | Kit, Service, XFMR, Plug-in | 102-4976 | 102-4976 | 102-4976 | 102-4976 |

Rain Dial® Series

Model Numbers:

- RD600-EXT
- RD900-EXT
- RD1200-EXT

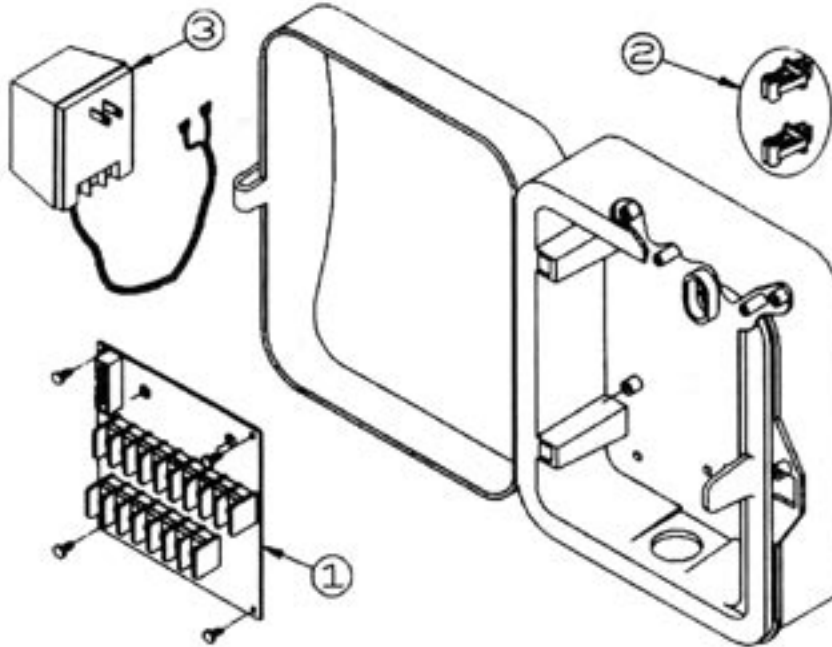


| | Model | RD600-EXT | RD900-EXT | RD1200-EXT |
|---------------|---------------------------------------|---------------------|---------------------|---------------------|
| Ref. # | Description | Part Numbers | Part Numbers | Part Numbers |
| 1 | Face Plate | R693701 | R693701 | R693701 |
| 2 | Terminal Board Assembly | R8987 | R8987 | R8987 |
| 3 | Hinge Post | R8967 | R8967 | R8967 |
| 4 | Transformer Assembly, 120 V ac, 60HZ | R675302 | R675302 | R675302 |
| 4 | Transformer Assembly, 220 V ac, 50 Hz | R363-2415 | R363-2415 | R363-2415 |
| 4 | Transformer Assembly, 240 V ac, 50 Hz | R719102 | R719102 | R719102 |
| 5 | Key | R8969 | R8969 | R8969 |
| 6 | Latch Spring | R8968 | R8968 | R8968 |
| | Instruction Manual | 1050302 | 1050302 | 1050302 |
| | Door Label Instructions | 1025301 | 1025301 | 1025301 |

Rain Dial® Series

Model Numbers:

- RD600-INT
- RD900-INT
- RD1200-INT

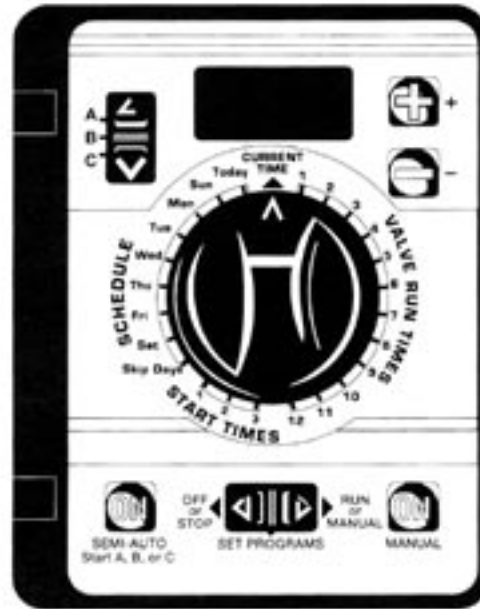


| Model | | RD600-INT | RD900-INT | RD1200-INT |
|--------|---------------------------------------|--------------|--------------|--------------|
| Ref. # | Description | Part Numbers | Part Numbers | Part Numbers |
| 1 | Terminal Board Assembly | R8987 | R8987 | R8987 |
| 2 | Hinge Post | R8967 | R8967 | R8967 |
| 3 | Transformer Assembly, 120 V ac, 60 Hz | R201902 | R201902 | R201902 |
| | Instruction Manual | 1050302 | 1050302 | 1050302 |
| | Door Label Instructions | 1025301 | 1025301 | 1025301 |

Rain Dial® Series Module

Model Numbers:

- RD600-INT
- RD600-EXT
- RD900-INT
- RD900-EXT
- RD1200-INT
- RD1200-EXT

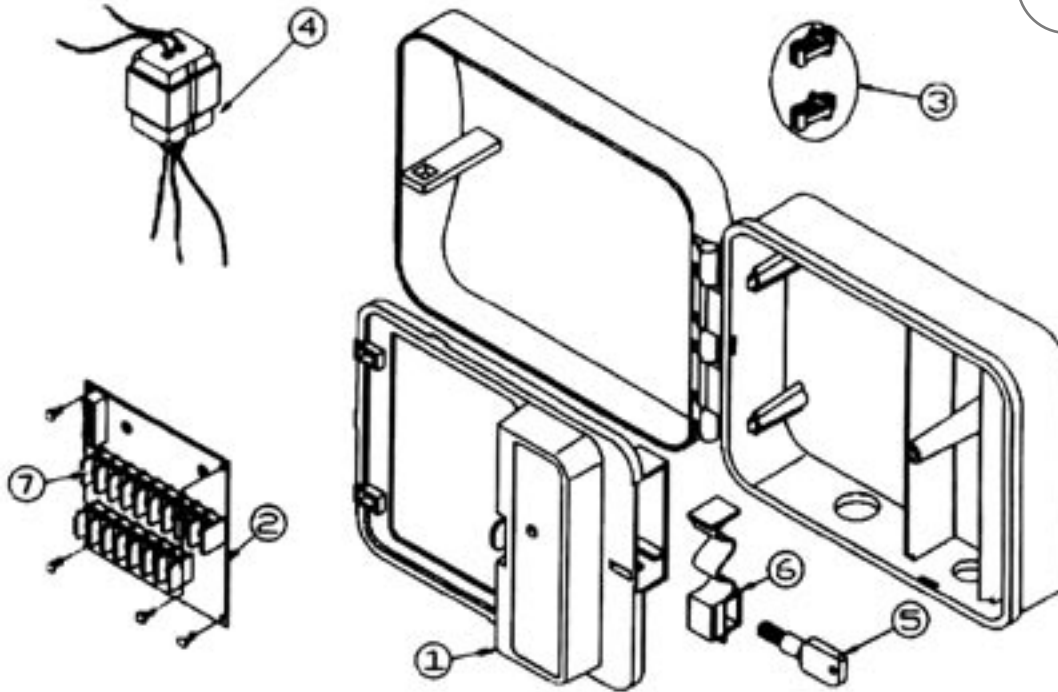
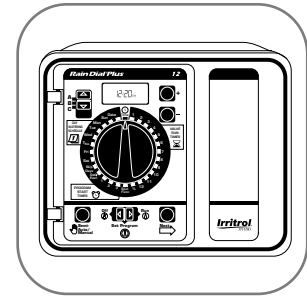


| | | RD600-INT RD600-EXT | RD900-INT RD900-EXT | RD1200-INT RD1200-EXT |
|--------|-----------------|------------------------|------------------------|--------------------------|
| Ref. # | Description | Part Numbers | Part Numbers | Part Numbers |
| | Module Assembly | RD-6 MOD | RD-9 MOD | RD-12 MOD |

Rain Dial® Plus Series

Model Numbers:

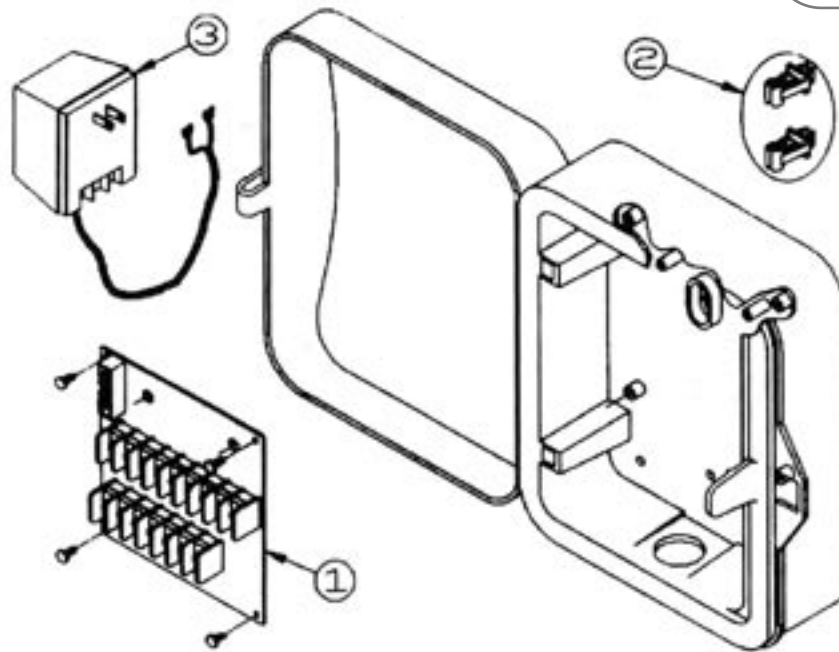
- RD6PLUS-EXT
- RD9PLUS-EXT
- RD12PLUS-EXT



| | | RD6PLUS-EXT | RD9PLUS-EXT | RD12PLUS-EXT |
|--------|---------------------------------------|--------------|--------------|--------------|
| Ref. # | Description | Part Numbers | Part Numbers | Part Numbers |
| 1 | Face Plate | R693701 | R693701 | R693701 |
| 2 | Terminal Board Assembly | R102-3371 | R102-3371 | R102-3371 |
| 3 | Hinge Post | R8967 | R8967 | R8967 |
| 4 | Transformer Assembly, 120 V ac, 60HZ | R675302 | R675302 | R675302 |
| 4 | Transformer Assembly, 220 V ac, 50 Hz | R363-2415 | R363-2415 | R363-2415 |
| 4 | Transformer Assembly, 240 V ac, 50 Hz | R719102 | R719102 | R719102 |
| 5 | Key | R8969 | R8969 | R8969 |
| 6 | Latch Spring | R8968 | R8968 | R8968 |
| | Instruction Manual | 373-0033 | 373-0033 | 373-0033 |
| | Quick Reference Card | 373-0048 | 373-0048 | 373-0048 |
| 7 | Fuse 2 amp SLO-BLO | 363-1578 | 363-1578 | 363-1578 |

Model Numbers:

- RD6PLUS-INT
- RD9PLUS-INT
- RD12PLUS-INT

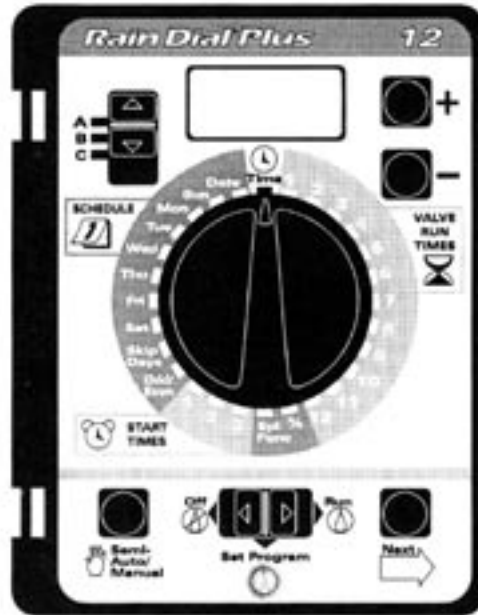


| | | RD6PLUS-INT | RD9PLUS-INT | RD12PLUS-INT |
|--------|---------------------------------------|--------------------|--------------------|---------------------|
| Ref. # | Description | Part Numbers | Part Numbers | Part Numbers |
| 1 | Terminal Board Assembly | R102-3371 | R102-3371 | R102-3371 |
| 2 | Hinge Post | R8967 | R8967 | R8967 |
| 3 | Transformer Assembly, 120 V ac, 60 Hz | R201902 | R201902 | R201902 |
| | Instruction Manual | 373-0033 | 373-0033 | 373-0033 |
| | Quick Reference Card | 373-0048 | 373-0048 | 373-0048 |

Rain Dial® Plus Series Module

Model Numbers:

- RD6PLUS-EXT
- RD6PLUS-INT
- RD9PLUS-EXT
- RD9PLUS-INT
- RD12PLUS-EXT
- RD12PLUS-INT

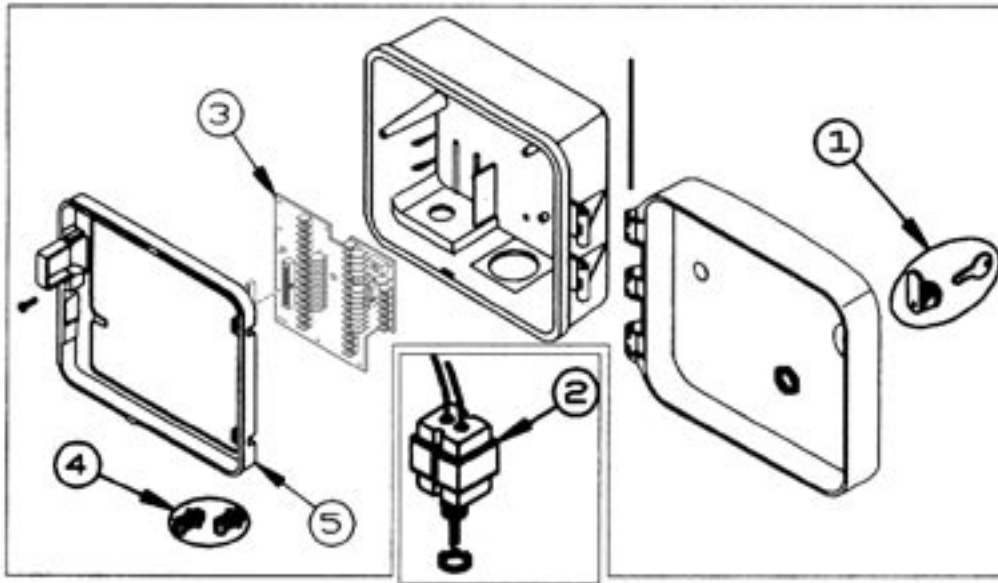


| | | RD6PLUS-EXT RD6PLUS-INT | RD9PLUS-EXT RD9PLUS-INT | RD12PLUS-EXT RD12PLUS-INT |
|--------|-----------------|----------------------------|----------------------------|------------------------------|
| Ref. # | Description | Part Numbers | Part Numbers | Part Numbers |
| | Module Assembly | RD6PLUS-MOD | RD9PLUS-MOD | RD12PLUS-MOD |

Total Control® Series

Model Numbers:

- TC-6EX-B
- TC-9EX-B
- TC-12EX-B
- TC-15EX-B
- TC-18EX-B

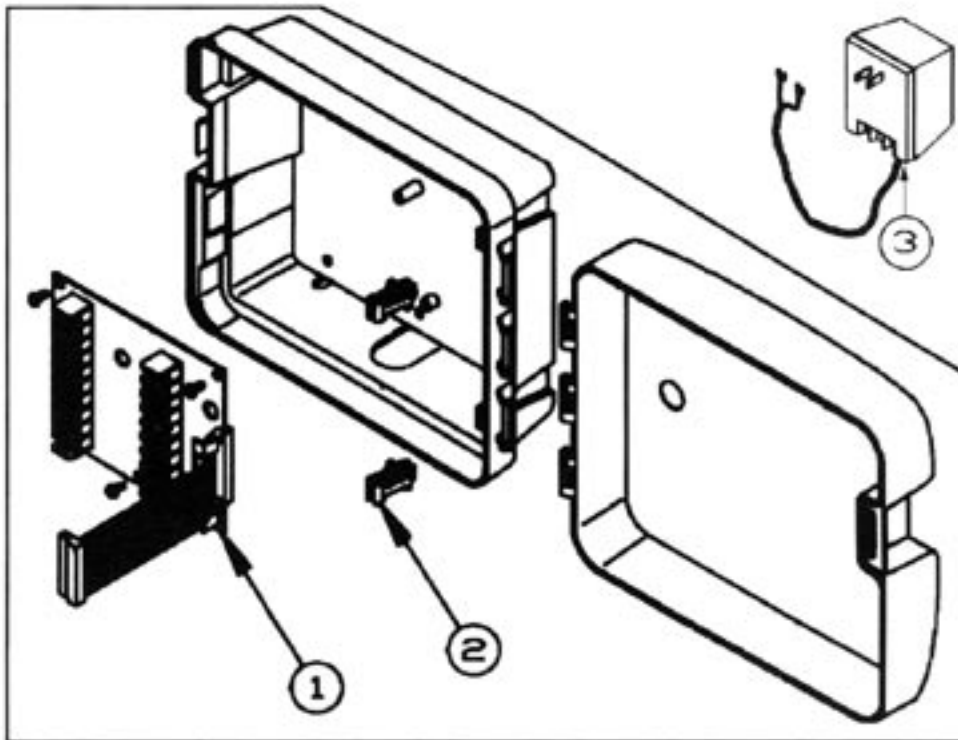


| | | TC-6EX-B | TC-9EX-B | TC-12EX-B | TC-15EX-B | TC-18EX-B | TC-24EX-B |
|--------|---------------------------------------|--------------|--------------|--------------|--------------|--------------|--------------|
| Ref. # | Description | Part Numbers | Part Numbers | Part Numbers | Part Numbers | Part Numbers | Part Numbers |
| 1 | Lock Assembly | R192502 | R192502 | R192502 | R192502 | R192502 | R192502 |
| 2 | Transformer Assembly, 120 V ac, 60 Hz | R614201 | R614201 | R614201 | R614201 | R614201 | R614201 |
| 2 | Transformer Assembly, 220 V ac, 50 Hz | R89-9255 | R89-9255 | R89-9255 | R89-9255 | R89-9255 | R89-9255 |
| 2 | Transformer Assembly, 240 V ac, 50 Hz | R721301 | R721301 | R721301 | R721301 | R721301 | R721301 |
| 3 | Terminal Board Assembly | 102-2615 | 102-2615 | 102-2615 | 102-2614 | 102-2614 | 102-2614 |
| 4 | Hinge Post | R8967 | R8967 | R8967 | R8967 | R8967 | R8967 |
| 5 | Face Plate, Outdoor Case | R598001 | R598001 | R598001 | R598001 | R598001 | R598001 |
| | User's Manual | 1050601 | 1050601 | 1050601 | 1050601 | 1050601 | 1050601 |
| | Quick Reference Card | 1025303 | 1025303 | 1025303 | 1025303 | 1025303 | 1025303 |

Total Control® Series

Model Numbers:

- TC-6IN-B
- TC-9IN-B
- TC-12IN-B

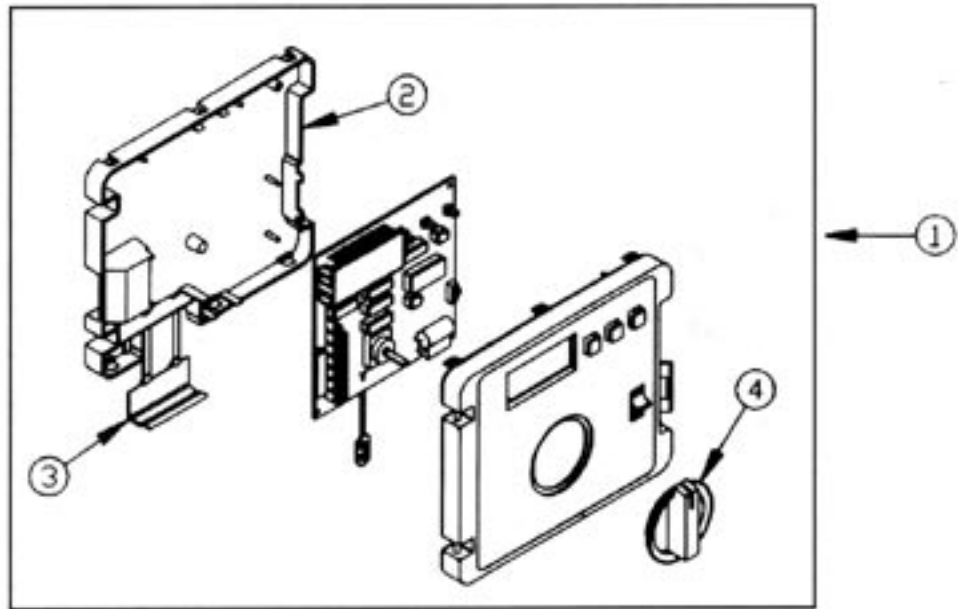


| | | TC-6IN-B | TC-9IN-B | TC-12IN-B |
|--------|---------------------------------------|--------------|--------------|--------------|
| Ref. # | Description | Part Numbers | Part Numbers | Part Numbers |
| 1 | Terminal Board Assembly | 102-2615 | 102-2615 | 102-2615 |
| 2 | Hinge Post | R8967 | R8967 | R8967 |
| 3 | Transformer Assembly, 120 V ac, 60 Hz | R201902 | R201902 | R201902 |
| | User's Manual | 1050601 | 1050601 | 1050601 |
| | Quick Reference Card | 1025303 | 1025303 | 1025303 |

Total Control® Series Module

Model Numbers:

- TC-6EX-B
- TC-6IN-B
- TC-9EX-B
- TC-9IN-B
- TC-12EX-B
- TC-12IN-B
- TC-15EX-B
- TC-18EX-B
- TC-24EX-B

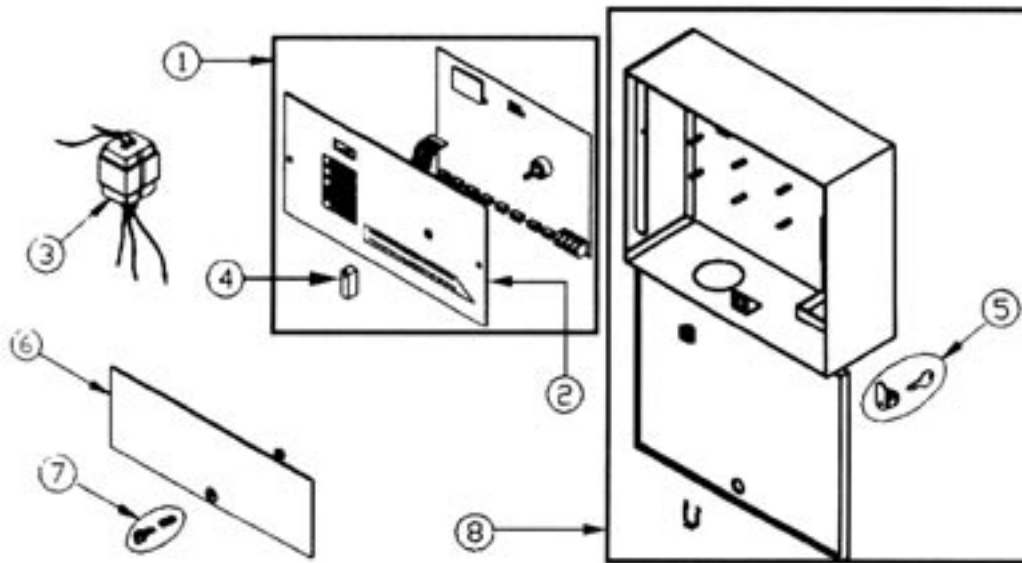


| Ref. # | Description | TC-6EX-B | TC-9EX-B | TC-12EX-B | TC-15EX-B | TC-18EX-B | TC-24EX-B |
|--------|-----------------------|--------------|--------------|--------------|--------------|--------------|--------------|
| | | TC-6IN-B | TC-9IN-B | TC-12IN-B | | TC-18MOD-B-S | TC-24MOD-B-S |
| | | Part Numbers | Part Numbers | Part Numbers | Part Numbers | Part Numbers | Part Numbers |
| 1 | Module Assembly | TC-6MOD-B-S | TC-9MOD-B-S | TC-12MOD-B-S | TC-15MOD-B-S | TC-18MOD-B-S | TC-24MOD-B-S |
| 2 | Rear Panel Assembly | R597102 | R597102 | R597102 | R597102 | R597102 | R597102 |
| 3 | Cover, Battery Module | R597301 | R597301 | R597301 | R597301 | R597301 | R597301 |
| 4 | Knob Assembly | R597702 | R597702 | R597702 | R597702 | R597702 | R597702 |

MC Plus Series

Model Numbers:

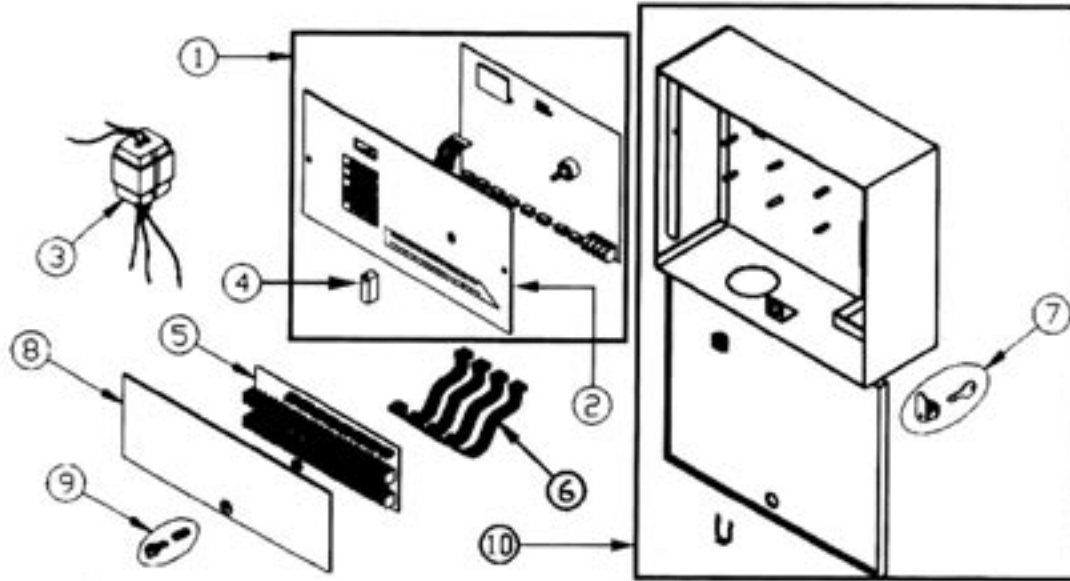
- MC-4 PLUS-B
- MC-6 PLUS-B
- MC-8 PLUS-B
- MC-12 PLUS-B



| | | MC-4 PLUS-B | MC-6 PLUS-B | MC-8 PLUS-B | MC-12 PLUS-B |
|--------|-------------------------------------------------------|--------------|--------------|--------------|--------------|
| Ref. # | Description | Part Numbers | Part Numbers | Part Numbers | Part Numbers |
| 1 | Complete Panel Assembly (Obsolete) | — | — | — | — |
| 2 | Panel and Overlay | R689004 | R689003 | R689002 | R689001 |
| 3 | Transformer Assembly, 120 V ac, 60 Hz | R615901 | R615901 | R615901 | R615901 |
| 3 | Transformer Assembly, 220 V ac, 50 Hz | R89-9255 | R89-9255 | R89-9255 | R89-9255 |
| 3 | Transformer Assembly, 240 V ac, 50 Hz | R721301 | R721301 | R721301 | R721301 |
| 4 | Select Knob | R608301 | R608301 | R608301 | R608301 |
| 5 | Key and Lock Assembly | R671101 | R671101 | R671101 | R671101 |
| 5 | Key Only (HL238) | 683503 | 683503 | 683503 | 683503 |
| 6 | Access Panel | R600601 | R600601 | R600601 | R600601 |
| 7 | Dzus Fastener Kit | R607501 | R607501 | R607501 | R607501 |
| 8 | Cabinet Assembly, 10 inch (includes lock assembly) | R689601 | R689601 | R689601 | R689601 |
| | User's Manual | 1050101 | 1050101 | 1050101 | 1050101 |
| | Quick Reference Card | R679702 | R679702 | R679702 | R679702 |

Model Numbers:

- MC-18 PLUS-B
- MC-24 PLUS-B
- MC-30 PLUS-B
- MC-36 PLUS-B
- MC-42 PLUS-B

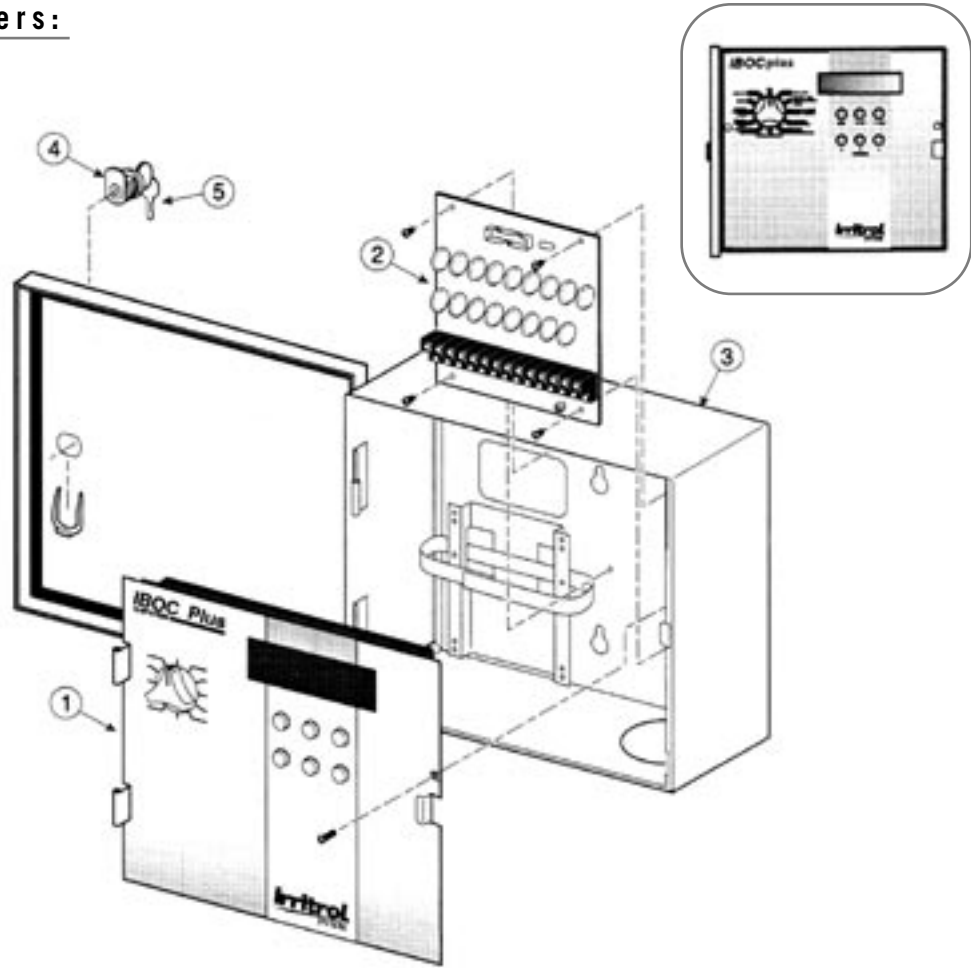


| | | MC-18 PLUS-B | MC-24 PLUS-B | MC-30 PLUS-B | MC-36 PLUS-B | MC-42 PLUS-B |
|--------|----------------------------------------------------|------------------|------------------|------------------|------------------|------------------|
| Ref. # | Description | Part Numbers | Part Numbers | Part Numbers | Part Numbers | Part Numbers |
| 1 | Complete Panel Assembly (Obsolete) | — | — | — | — | — |
| 2 | Panel and Overlay | R689105 | R689104 | R689103 | R689102 | R689101 |
| 3 | Transformer Assembly, 120 V ac, 60 Hz | R615901 | R615901 | R615901 | R615901 | R615901 |
| 3 | Transformer Assembly, 220 V ac, 50 Hz | R89-9225 | R89-9225 | R89-9225 | R89-9225 | R89-9225 |
| 3 | Transformer Assembly, 240 V ac, 50 Hz | R721301 | R721301 | R721301 | R721301 | R721301 |
| 4 | Select Knob | R608301 | R608301 | R608301 | R608301 | R608301 |
| 5 | Terminal Board | R603503 | R603503 | R603503 | R603502 | R603501 |
| 6 | Header Cable (requires 4 cables) | R636901 (1 pack) | R636901 (2 pack) | R636901 (2 pack) | R636901 (2 pack) | R636901 (2 pack) |
| 7 | Key and Lock Assembly | R671101 | R671101 | R671101 | R671101 | R671101 |
| 7 | Key Only (HL238) | 683503 | 683503 | 683503 | 683503 | 683503 |
| 8 | Access Panel | R600601 | R588501 | R588501 | R588501 | R588501 |
| 7 | Dzus Fastener Kit | R607501 | R607501 | R607501 | R607501 | R607501 |
| 8 | Cabinet Assembly, 14 inch (includes lock assembly) | R689501 | R689501 | R689501 | R689501 | R689501 |
| | User's Manual | 1050101 | 1050101 | 1050101 | 1050101 | 1050101 |
| | Quick Reference Card | R679702 | R679702 | R679702 | R679702 | R679702 |

IBOC Plus Series

Model Numbers:

- IBOC4 Plus
- IBOC8 Plus
- IBOC12 Plus



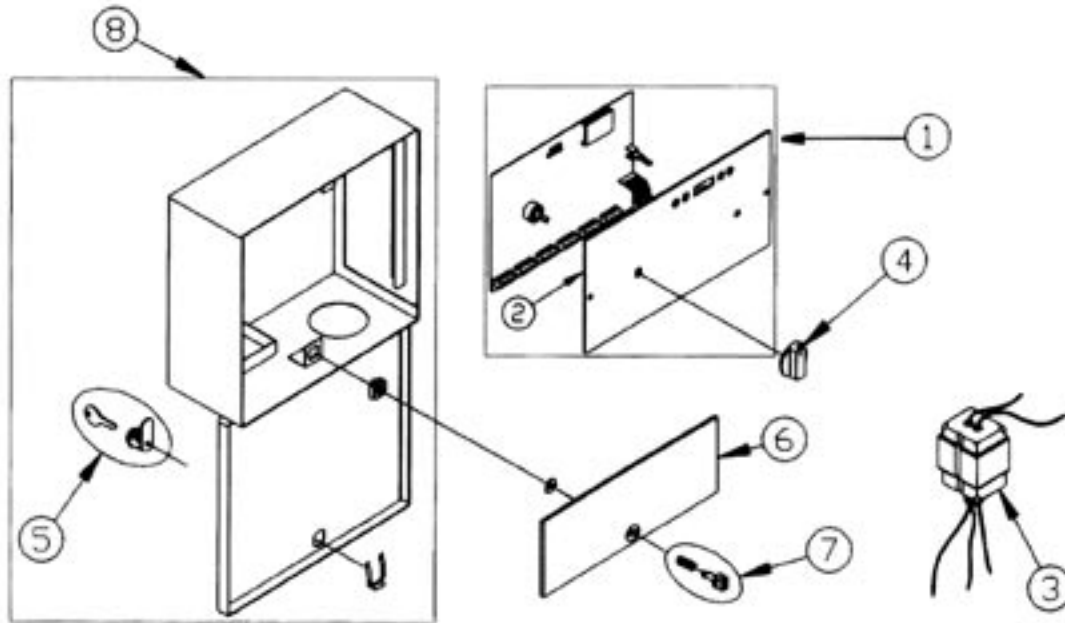
| Ref. # | Description | IBOC4 PLUS | IBOC8 PLUS | IBOC12 PLUS |
|--------|-------------------------|--------------|--------------|--------------|
| | | Part Numbers | Part Numbers | Part Numbers |
| 1 | Front Panel Assembly | 89-9554 | 89-9553 | 89-9386 |
| 2 | Terminal PCB Assembly | 89-9556 | 89-9555 | 89-9402 |
| 3 | Cabinet, Metal | 89-9385 | 89-9385 | 89-9385 |
| 4 | Lock Assembly, Irritrol | R671101 | R671101 | R671101 |
| 5 | Keys w/ Ring (HL238) | 683503 | 683503 | 683503 |
| | User's Manual | 373-0040 | 373-0040 | 373-0040 |
| | Quick Reference Card | 371-0083 | 371-0083 | 371-0083 |

Please note: Use one of the following batteries — Energizer #521 or Duracell MN918

Dial Series

Model Numbers:

- Dial-5B
- Dial-7B
- Dial-11B
- Dial-14B
- Dial-16B

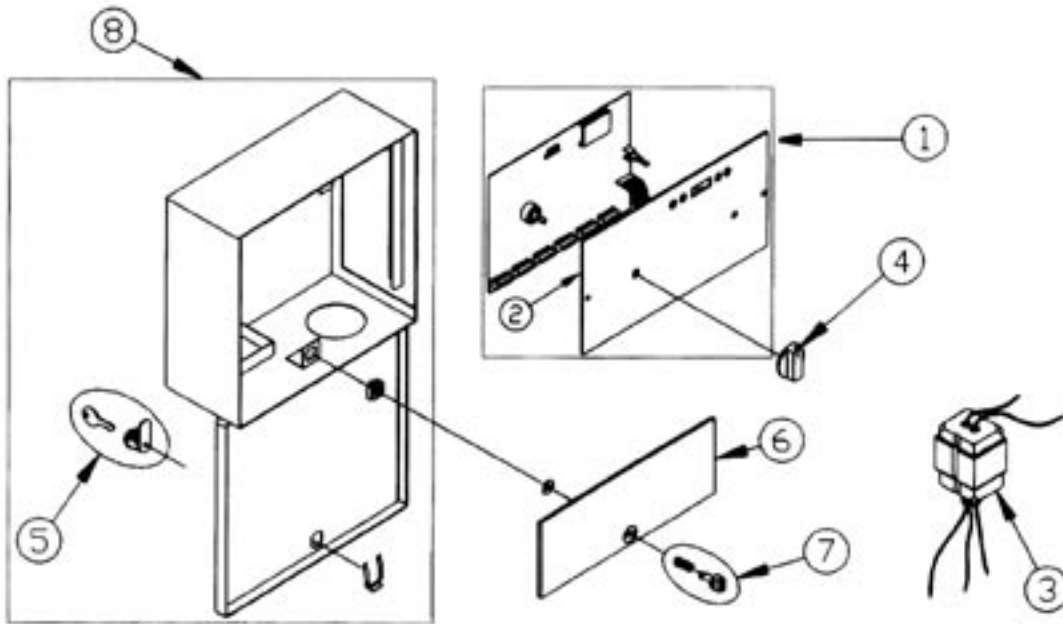


| | | Dial-5B | Dial-7B | Dial-11B | Dial-14B | Dial-16B |
|--------|---------------------------------------|--------------|--------------|--------------|--------------|--------------|
| Ref. # | Description | Part Numbers | Part Numbers | Part Numbers | Part Numbers | Part Numbers |
| 1 | Complete Panel Assembly (Obsolete) | — | — | — | — | — |
| 2 | Panel and Overlay | R688905 | R688904 | R688903 | R688902 | R688901 |
| 3 | Transformer Assembly, 120 V ac, 60 Hz | R614201 | R614201 | R614201 | R614201 | R614201 |
| 3 | Transformer Assembly, 220 V ac, 50 Hz | R89-9255 | R89-9255 | R89-9255 | R89-9255 | R89-9255 |
| 3 | Transformer Assembly, 240 V ac, 50 Hz | R721301 | R721301 | R721301 | R721301 | R721301 |
| 4 | Select Knob | R610801 | R610801 | R610801 | R610801 | R610801 |
| 5 | Key and Lock Assembly | R671101 | R671101 | R671101 | R671101 | R671101 |
| 5 | Key Only (HL238) | 683503 | 683503 | 683503 | 683503 | 683503 |
| 6 | Access Panel | R600601 | R600601 | R600601 | R600601 | R600601 |
| 7 | Dzus Fastener Kit | R607501 | R607501 | R607501 | R607501 | R607501 |
| 8 | Cabinet Assembly, 10 inch | R689601 | R689601 | R689601 | R689601 | R689601 |
| | User's Manual | 1069601 | 1069601 | 1069601 | 1069601 | 1069601 |
| | Quick Reference Card | R679703 | R679703 | R679703 | R679703 | R679703 |

Dial Series

Model Numbers:

- Dial-18B
- Dial-24B
- Dial-30B
- Dial-36B



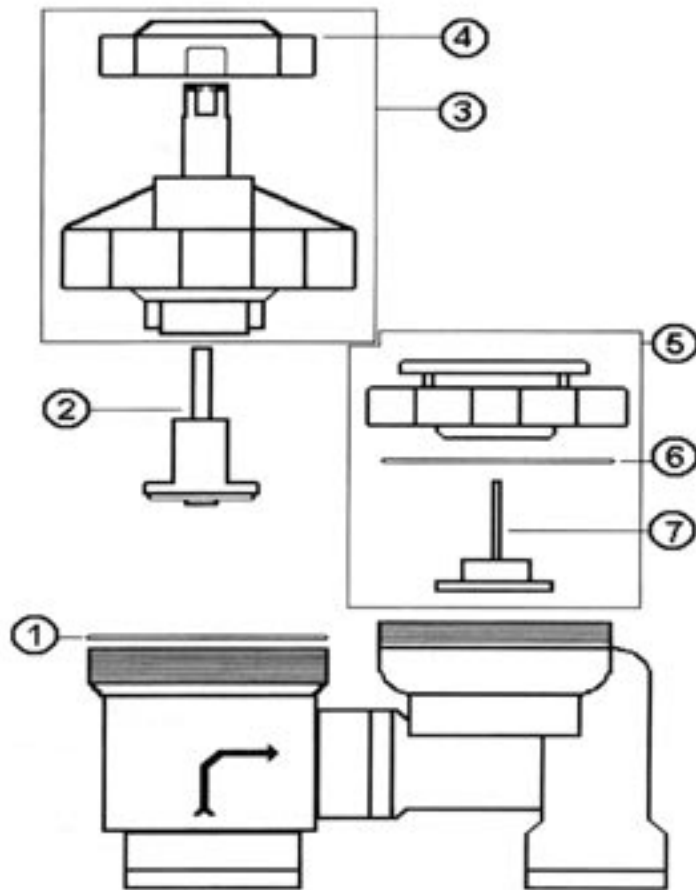
| Ref. # | Description | DIAL - 18B Part Numbers | DIAL 24B Part Numbers | DIAL - 30B Part Numbers | DIAL - 36B Part Numbers |
|--------|-------------------------------------------------------|----------------------------|--------------------------|----------------------------|----------------------------|
| 1 | Complete Panel Assembly (Obsolete) | — | — | — | — |
| 2 | Panel and Overlay | R689304 | R689303 | R689302 | R689301 |
| 3 | Transformer Assembly, 120 V ac, 60 Hz | R614201 | R614201 | R614201 | R614201 |
| 3 | Transformer Assembly, 220 V ac, 50 Hz | R89-9255 | R89-9255 | R89-9255 | R89-9255 |
| 3 | Transformer Assembly, 240 V ac, 50 Hz | R721301 | R721301 | R721301 | R721301 |
| 4 | Select Knob | R610801 | R610801 | R610801 | R610801 |
| 5 | Key and Lock Assembly | R671101 | R671101 | R671101 | R671101 |
| 5 | Key Only (HL238) | 683503 | 683503 | 683503 | 683503 |
| 6 | Access Panel | R588501 | R588501 | R588501 | R588501 |
| 7 | Dzus Fastener Kit | R607501 | R607501 | R607501 | R607501 |
| 8 | Cabinet Assembly, 14 inch (includes lock assembly) | R689501 | R689501 | R689501 | R689501 |
| | User's Manual | 1069601 | 1069601 | 1069601 | 1069601 |
| | Quick Reference Card | R679703 | R679703 | R679703 | R679703 |



2700 Series (Manual)

Model Numbers:

- 2706PR
- 2709PR



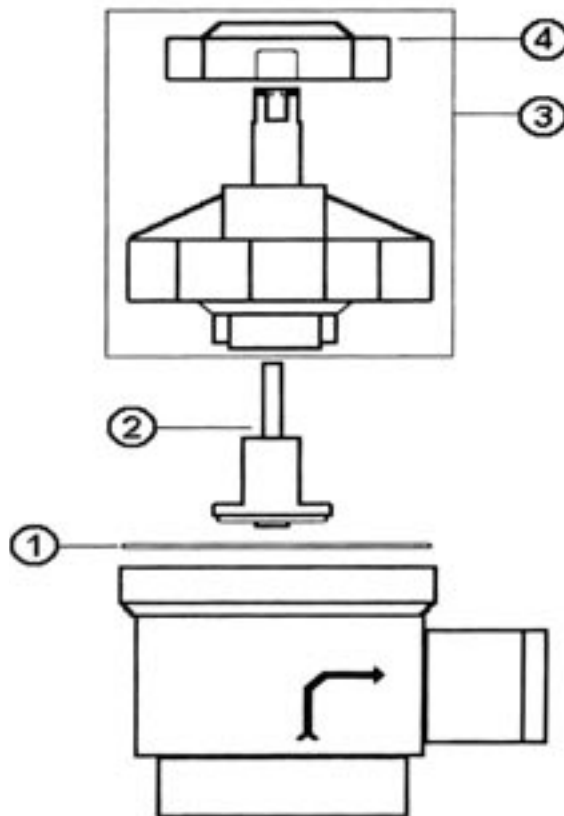
| Ref. # | Description | 2706PR | 2709PR |
|--------|----------------------------|--------------|--------------|
| | | Part Numbers | Part Numbers |
| 1 | O-Ring | 147701 | 147701 |
| 2 | Bib Washer Assembly | 147101-H | 147301 |
| 3 | Cover Assembly | 147501-H | 147501-H |
| 4 | Flow Adjustment Knob | R704-27 | R704-27 |
| 5 | Anti-siphon Cover Assembly | R217104 | R519108 |
| 6 | O-Ring | 100241 | 100233 |
| 7 | Stem Assembly | 100246 | 100234-H |



700 Series (Manual)

Model Numbers:

- 707PR



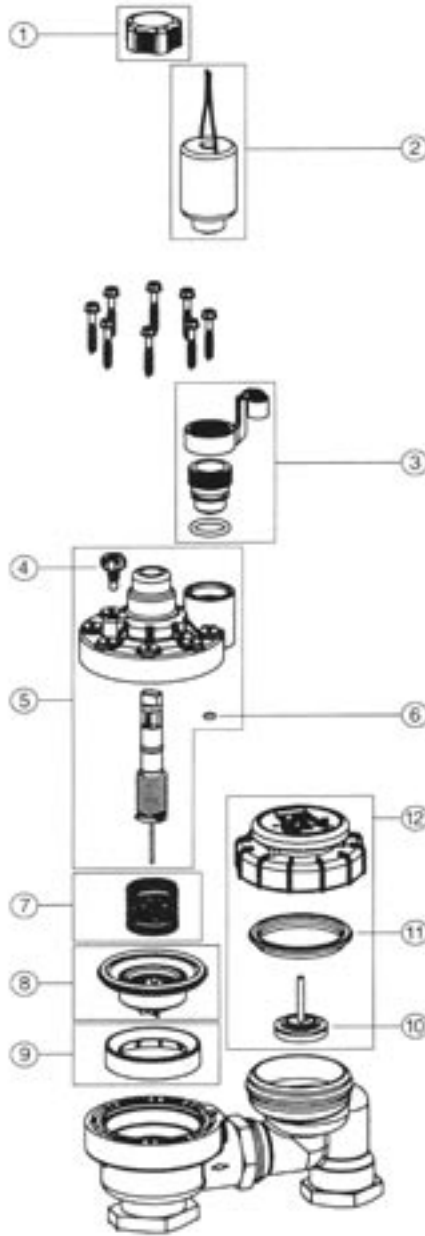
| | | 707PR |
|--------|----------------------|--------------|
| Ref. # | Description | Part Numbers |
| 1 | O-Ring | 147701 |
| 2 | Bib Washer Assembly | 147301 |
| 3 | Cover Assembly | 147501-H |
| 4 | Flow Adjustment Knob | R704-27 |



2700 Series (Electric)

Model Numbers:

- 2711APR
- 2713APR



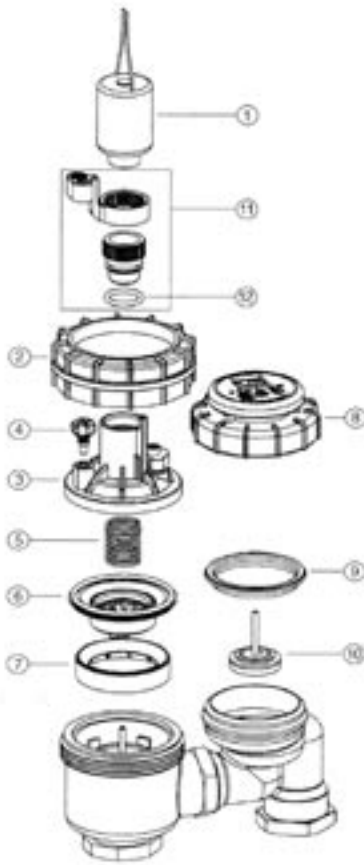
| Model | | 2711APR | 2713APR |
|--------|-----------------------------------|--------------|--------------|
| Ref. # | Description | Part Numbers | Part Numbers |
| 1 | Knob | 835603 | 835603 |
| 2 | Solenoid Assembly, 24 V ac, 60 Hz | R811-24VACG | R811-24VACG |
| 2 | Solenoid Assembly, 24 V ac, 50 Hz | 588403 | 588403 |
| 3 | Manual Bleed Assembly | R606902 | R606902 |
| 4 | Bleed Screw | 100229 | 100229 |
| 5 | Cover Assembly | R1074601 | R1074601 |
| 6 | O-Ring | 121001 | 121001 |
| 7 | Spring | R153201 | R153201 |
| 8 | Diaphragm Assembly | 539001 | 539001 |
| 9 | Divider | 100237-H | 100237-H |
| 10 | Stem Assembly | 100246 | 100234-H |
| 11 | O-Ring (Anti-siphon) | 100241 | 100233 |
| 12 | Anti-siphon Cover Assembly | R217104 | R519108 |



2700 Series (Electric)

Model Numbers:

- 2711DPR
- 2713DPR



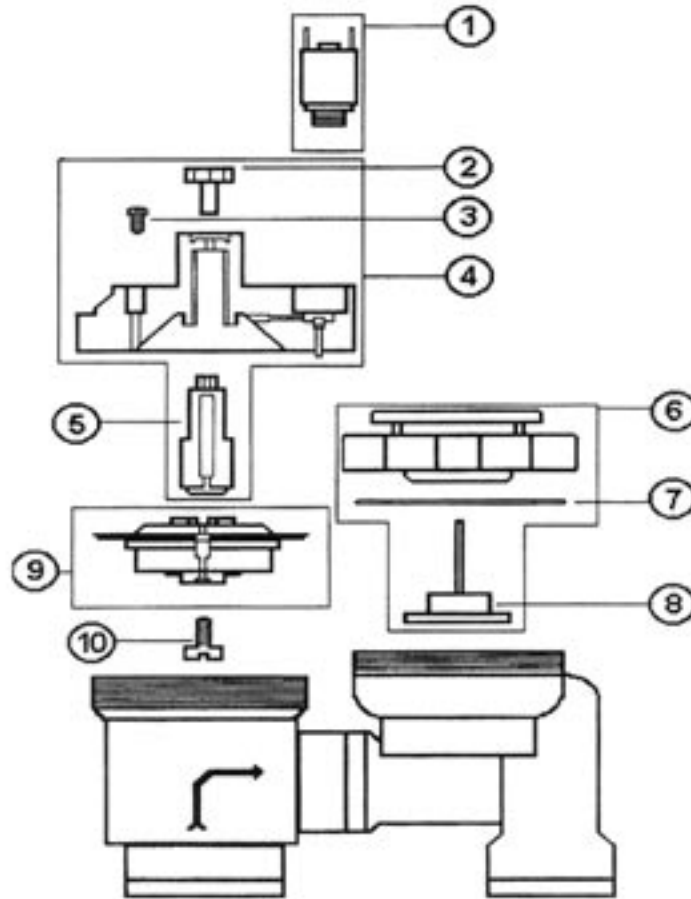
| Ref. # | Description | 2711DPR | 2713DPR |
|--------|-----------------------------------|--------------|--------------|
| | | Part Numbers | Part Numbers |
| 1 | Solenoid Assembly, 24 V ac, 60 Hz | R811-24VACG | R811-24VACG |
| 1 | Solenoid Assembly, 24 V ac, 50 Hz | 588403 | 588403 |
| 2 | Nut Cap | 549101 | 549101 |
| 3 | Cover Assembly Flow Adjust | 534801 | 534801 |
| 4 | Bleed Screw | 100229 | 100229 |
| 5 | Spring | 100235 | 100235 |
| 6 | Diaphragm Assembly | 100236 | 100236 |
| 7 | Divider | 100237-H | 100237-H |
| 8 | Anti-siphon Cover Assembly | R217104 | R519108 |
| 9 | O-Ring (Anti-siphon) | 100241 | 100233 |
| 10 | Stem Assembly | 100246 | 100234-H |
| 11 | Manual Bleed Assembly | R606902 | R606902 |
| 12 | O-Ring | R1631 | R1631 |



700 Series (Electric)

Model Numbers:

- 711APR
- 713APR



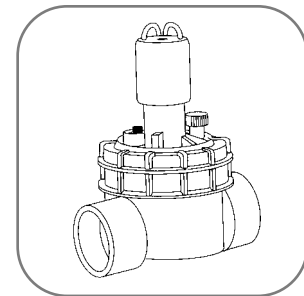
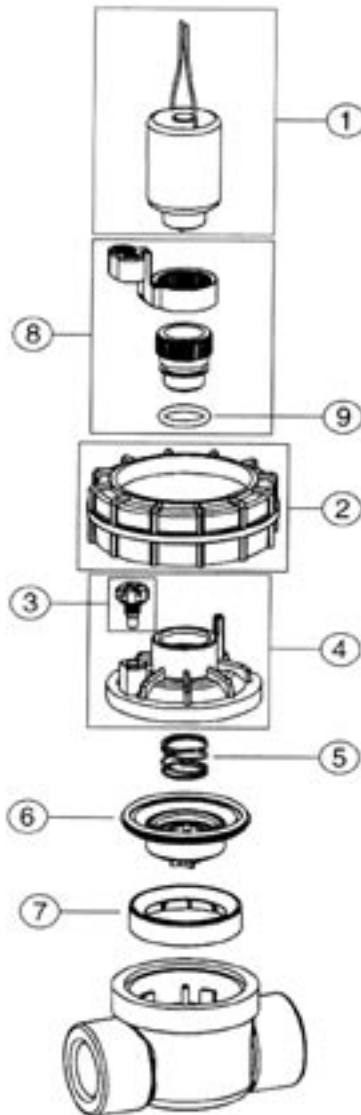
| Ref. # | Description | 711APR | 713APR |
|--------|-----------------------------------------------------------|--------------|--------------|
| | | Part Numbers | Part Numbers |
| 1 | Solenoid Assembly, 24 V ac, 60 Hz | R811-24VACG | R811-24VACG |
| 1 | Solenoid Assembly, 24 V ac, 50 Hz | 588403 | 588403 |
| 2 | Flow Adjustment Knob | 100227-H | 100227-H |
| 3 | Bleed Screw | 100229 | 100229 |
| 4 | Cover Assembly Flow Adjust | 100273-H | 100273-H |
| 5 | Flow Shaft Assembly | 100230 | 100230 |
| 6 | Anti-siphon Cover Assembly | R217104 | R519108 |
| 7 | O-Ring (Anti-siphon) | 100241 | 100233 |
| 8 | Stem Assembly | 100246 | 100234-H |
| 9 | Diaphragm Assembly | 100232-H | 100232-H |
| 10 | Diaphragm Screw | R544101 | R544101 |
| 11 | Cover/Diaphragm Assembly Kit (includes screws and spring) | R205TFKIT | R205TFKIT |



2400 Series

Model Numbers:

- 2400S
- 2400SF
- 2400T
- 2400TF



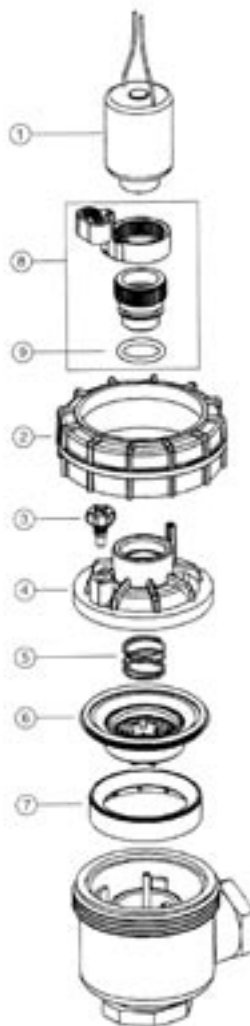
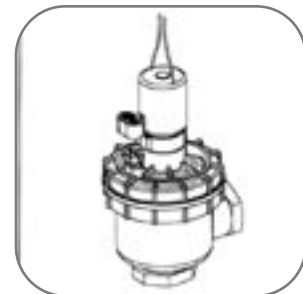
| Ref. # | Description | 2400S | 2400SF | 2400T | 2400TF |
|--------|-----------------------------------|--------------|--------------|--------------|--------------|
| | | Part Numbers | Part Numbers | Part Numbers | Part Numbers |
| 1 | Solenoid Assembly, 24 V ac, 60 Hz | R811-24VACG | R811-24VACG | R811-24VACG | R811-24VACG |
| 1 | Solenoid Assembly, 24 V ac, 50 Hz | 588403 | 588403 | 588403 | 588403 |
| 2 | Nut Cap | 549101 | 549101 | 549101 | 549101 |
| 3 | Bleed Screw | 100229 | 100229 | 100229 | 100229 |
| 4 | Cover Assembly | 534901 | 534801 | 534901 | 534801 |
| 5 | Spring | 100235 | 100235 | 100235 | 100235 |
| 6 | Diaphragm | 100236 | 100236 | 100236 | 100236 |
| 7 | Divider | 100237-H | 100237-H | 100237-H | 100237-H |
| 8 | Manual Bleed Assembly | R606902 | R606902 | R606902 | R606902 |
| 9 | O-Ring | R1631 | R1631 | R1631 | R1631 |



2600 Series

Model Numbers:

- 2600T
- 2600TF



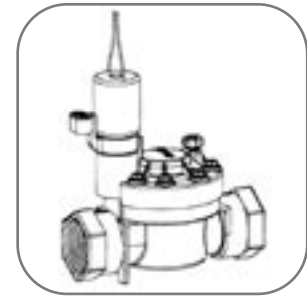
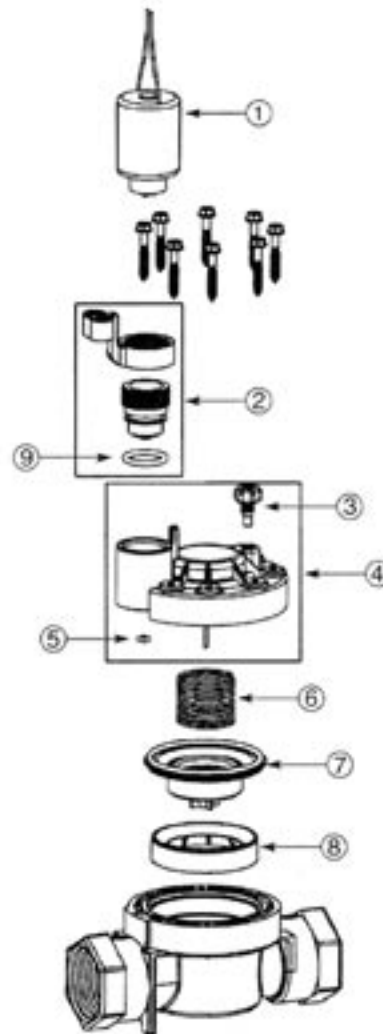
| Ref. # | Description | 2600T | 2600TF |
|--------|-----------------------------------|--------------|--------------|
| | | Part Numbers | Part Numbers |
| 1 | Solenoid Assembly, 24 V ac, 60 Hz | R811-24VACG | R811-24VACG |
| 1 | Solenoid Assembly, 24 V ac, 50 Hz | 588403 | 588403 |
| 2 | Nut Cap | 549101 | 549101 |
| 3 | Bleed Screw | 100229 | 100229 |
| 4 | Cover Assembly | 534901 | 534801 |
| 5 | Spring | 100235 | 100235 |
| 6 | Diaphragm Assembly | 100236 | 100236 |
| 7 | Divider | 100237-H | 100237-H |
| 8 | Manual Bleed Assembly | R606902 | R606902 |
| 9 | O-Ring | R1631 | R1631 |



2500 Series

Model Numbers:

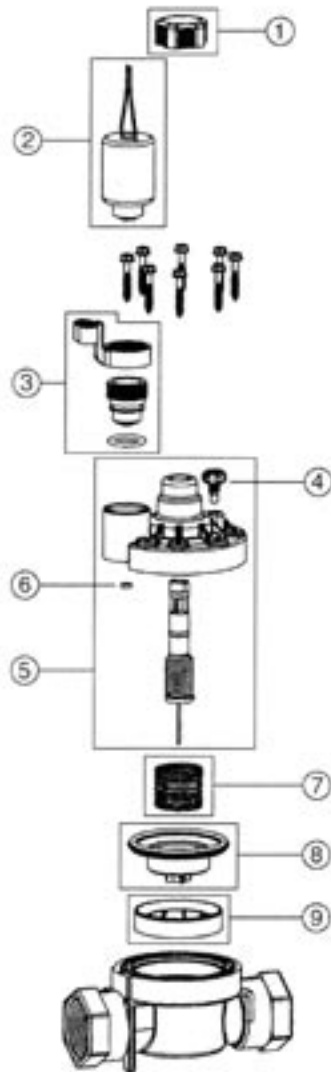
- 2500S
- 2500T



| Ref. # | Description | 2500S | 2500T |
|--------|-----------------------------------|--------------|--------------|
| | | Part Numbers | Part Numbers |
| 1 | Solenoid Assembly, 24 V ac, 60 Hz | R811-24VACG | R811-24VACG |
| 1 | Solenoid Assembly, 24 V ac, 50 Hz | 588403 | 588403 |
| 2 | Manual Bleed Assembly | R606902 | R606902 |
| 3 | Bleed Screw | 100229 | 100229 |
| 4 | Cover Assembly | R1080901 | R1080901 |
| 5 | O-Ring | 121001 | 121001 |
| 6 | Spring | R153201 | R153201 |
| 7 | Diaphragm Assembly | 539001 | 539001 |
| 8 | Divider | 100237-H | 100237-H |
| 9 | O-Ring | R1631 | R1631 |

Model Numbers:

- 2500SF
- 2500TF



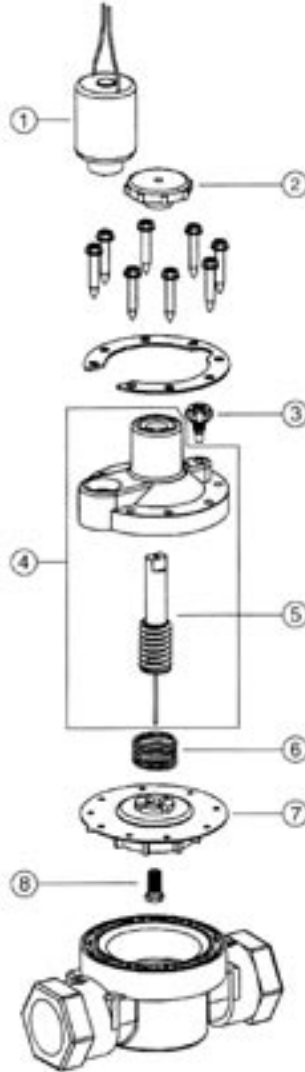
| Ref. # | Description | 2500SF | 2500TF |
|--------|-----------------------------------|--------------|--------------|
| | | Part Numbers | Part Numbers |
| 1 | Knob | 835603 | 835603 |
| 2 | Solenoid Assembly, 24 V ac, 60 Hz | R811-24VACG | R811-24VACG |
| 1 | Solenoid Assembly, 24 V ac, 50 Hz | 588403 | 588403 |
| 3 | Manual Bleed Assembly | R606902 | R606902 |
| 4 | Bleed Screw | 100229 | 100229 |
| 5 | Cover Assembly | R1074601 | R1074601 |
| 6 | O-Ring | 121001 | 121001 |
| 7 | Spring | R153201 | R153201 |
| 8 | Diaphragm Assembly | 539001 | 539001 |
| 9 | Divider | 100237-H | 100237-H |



205 Series

Model Numbers:

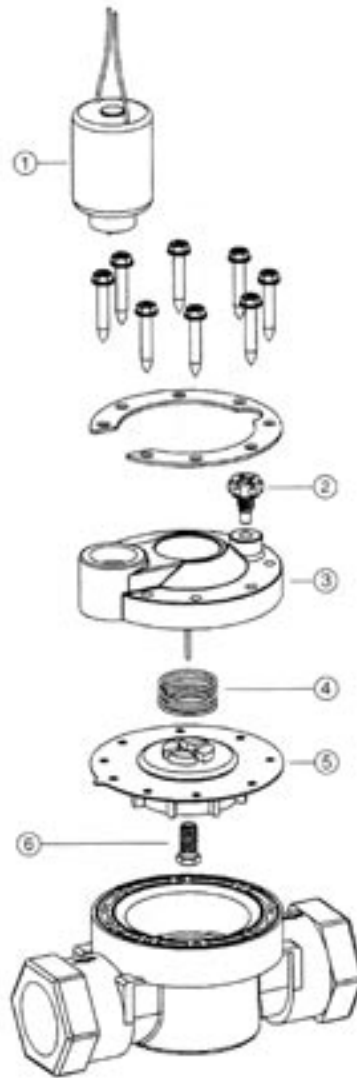
- 205SF
- 205TF



| Ref. # | Description | 205SF | 205TF |
|--------|-----------------------------------------------------------|--------------|--------------|
| | | Part Numbers | Part Numbers |
| 1 | Solenoid Assembly, 24 V ac, 60 Hz | R811-24VACG | R811-24VACG |
| 1 | Solenoid Assembly, 24 V ac, 50 Hz | 588403 | 588403 |
| 2 | Flow Adjust Knob | 100227-H | 100227-H |
| 3 | Bleed Screw | 100229 | 100229 |
| 4 | Cover Assembly Flow Adjust | 100273-H | 100273-H |
| 5 | Flow Shaft Assembly | 100230 | 100230 |
| 6 | Spring | 100231-H | 100231-H |
| 7 | Diaphragm Assembly | 100232-H | 100232-H |
| 8 | Diaphragm Screw | R544101 | R544101 |
| 9 | Cover/Diaphragm Assembly Kit (includes screws and spring) | R205TFKIT | R205TFKIT |

Model Numbers:

- 205S
- 205T



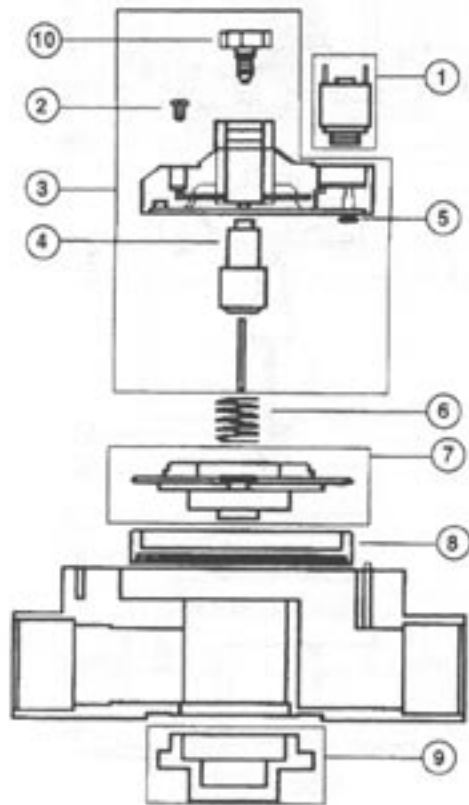
| Ref. # | Description | 205S | 205T |
|--------|-----------------------------------------------------------|--------------|--------------|
| | | Part Numbers | Part Numbers |
| 1 | Solenoid Assembly, 24 V ac, 60 Hz | R811-24VACG | R811-24VACG |
| 1 | Solenoid Assembly, 24 V ac, 50 Hz | 588403 | 588403 |
| 2 | Bleed Screw | 100229 | 100229 |
| 3 | Cover Assembly Flow Adjust | 100272 | 100272 |
| 4 | Spring | 100231-H | 100231-H |
| 5 | Diaphragm Assembly | 100232-H | 100232-H |
| 6 | Diaphragm Screw | R544101 | R544101 |
| 9 | Cover/Diaphragm Assembly Kit (includes screws and spring) | R205KIT | R205KIT |



200 Series

Model Numbers:

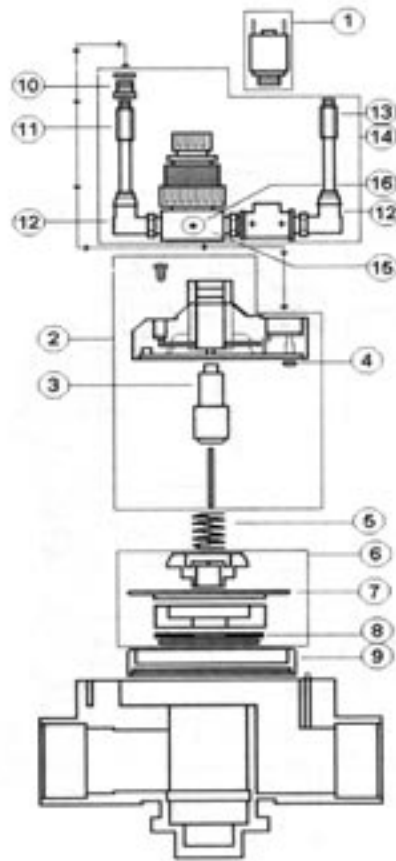
- 213APR
- 214APR
- 216APR
- 217APR
- 218APR



| Ref. # | Description | 213APR Part Numbers | 214APR Part Numbers | 216APR Part Numbers | 217APR Part Numbers | 218APR Part Numbers |
|--------|-----------------------------------|------------------------|------------------------|------------------------|------------------------|------------------------|
| 1 | Solenoid Assembly, 24 V ac, 60 Hz | R811-24VACG | R811-24VACG | R811-24VACG | R811-24VACG | R811-24VACG |
| 1 | Solenoid Assembly, 24 V ac, 50 Hz | 588403 | 588403 | 588403 | 588403 | 588403 |
| 2 | Bleed Screw | 100229 | 100229 | 100229 | 100229 | 100229 |
| 3 | Cover Assembly | 100273-H | R152101 | R216101 | R218401 | R447201 |
| 4 | Flow Shaft Assembly | 100230 | 100230 | 100230 | 100230 | 100230 |
| 5 | O-Ring | 121001 | 121001 | 121001 | 121001 | 121001 |
| 6 | Spring | 100231 | R153201 | 113801-H | 114001 | 114201-H |
| 7 | Diaphragm Assembly | N/A | 539001 | 114401-H | 114601-H | N/A |
| 8 | Divider | N/A | 100237-H | N/A | N/A | N/A |
| 9 | Inlet Plug & O-Ring | N/A | 112801-H | 112801-H | 122301 | N/A |
| 10 | Flow Adjustment Handle | R-835601 | R-835601 | 100322-H | 100322-H | 100322-H |
| 11 | Seat Seal Washer | N/A | N/A | N/A | R217-18 | R209-18 |

Model Numbers:

- 214APR-REG
- 216APR-REG



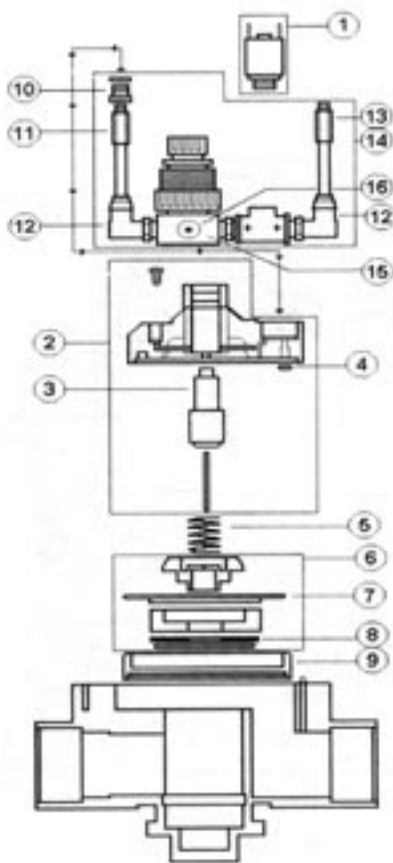
| Ref. # | Description | 214APR-REG | 216APR-REG |
|--------|-----------------------------------|--------------|--------------|
| | | Part Numbers | Part Numbers |
| 1 | Solenoid Assembly, 24 V ac, 60 Hz | R811-24VACG | R811-24VACG |
| 1 | Solenoid Assembly, 24 V ac, 50 Hz | 588403 | 588403 |
| 1 | 24 V dc Latching Solenoid | E2003 | E2003 |
| 2 | Cover Assembly | R699301 | R699201 |
| 3 | Flow Shaft Assembly | 100230 | 113401 |
| 4 | O-Ring | 121001 | 121001 |
| 5 | Spring | R153201 | 124701 |
| 6 | Diaphragm Assembly | 539001 | 143601-H |
| 7 | Diaphragm | N/A | N/A |
| 8 | Seat Seal Washer | N/A | N/A |
| 9 | Divider | 100237-H | N/A |
| 10 | Adapter, Regulating | 123501 | 123501 |
| 11 | Male Fitting 1/8" NPT | 128001 | 128001 |
| 12 | 90 Degree Male Elbow | 146001 | 146001 |
| 13 | Male Fitting 1/16" NPT | 127801 | 127801 |
| 13 | Male Fitting 1/4-20 MOD | R522501 | R522501 |
| 14 | Pressure Regulating Assembly | R698801 | R698801 |
| 15 | Repair Kit Pressure Regulator | R732101 | R732101 |
| 16 | Schrader Valve | R2691 | R2691 |



200 Series

Model Numbers:

- 217APR-REG
- 218APR-REG



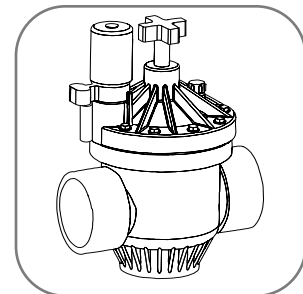
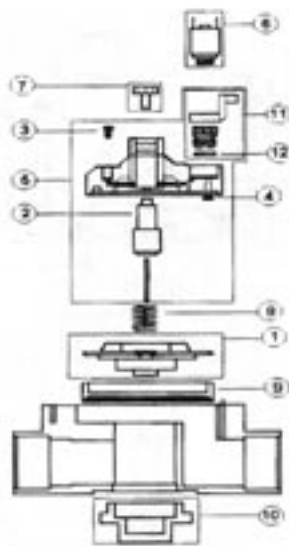
| Ref. # | Description | 217APR-REG | 218APR-REG |
|--------|-----------------------------------|--------------|--------------|
| | | Part Numbers | Part Numbers |
| 1 | Solenoid Assembly, 24 V ac, 60 Hz | R811-24VACG | R811-24VACG |
| 1 | Solenoid Assembly, 24 V ac, 50 Hz | 588403 | 588403 |
| 1 | 24 V dc Latching Solenoid | E2003 | E2003 |
| 2 | Cover Assembly | R699101 | R699001 |
| 3 | Flow Shaft Assembly | 113401 | 113601-H |
| 4 | O-Ring | 121001 | 121001 |
| 5 | Spring | 143001 | 143001 |
| 6 | Diaphragm Assembly | 143801 | N/A |
| 7 | Diaphragm | R584901 | N/A |
| 8 | Seat Seal Washer | R217-18 | R209-18 |
| 9 | Divider | N/A | N/A |
| 10 | Adapter, Regulating | 123501 | 123501 |
| 11 | Male Fitting 1/8" NPT | 128001 | 128001 |
| 12 | 90 Degree Male Elbow | 146001 | 146001 |
| 13 | Male Fitting 1/16" NPT | 127801 | 127801 |
| 13 | Male Fitting 1/4-20 MOD | N/A | N/A |
| 14 | Pressure Regulating Assembly | R698801 | R698801 |
| 15 | Repair Kit Pressure Regulator | R732101 | R732101 |
| 16 | Schrader Valve | R2691 | R2691 |



200B Series

Model Numbers:

- 214B
- 214B-NF
- 216B
- 216B-NF
- 217B
- 217B-NF



| Ref. # | Description | 214B | 214B - NF | 216B |
|--------|-------------------------------------|--------------|--------------|--------------|
| | | Part Numbers | Part Numbers | Part Numbers |
| 1 | Diaphragm Assembly | 539001 | 539001 | 114401-H |
| 2 | Flow Shaft Assembly | 100230 | N/A | 113401 |
| 3 | External Bleed Screw | 100229 | 100229 | 100229 |
| 4 | O-Ring | 121001 | 121001 | 121001 |
| 5 | Cover Assembly (Bonnet) | R152101 | N/A | R216101 |
| 6 | Solenoid Assembly, 24 V ac, 60 Hz | R811-24VACG | R811-24VACG | R811-24VACG |
| 6 | Solenoid Assembly, 24 V ac, 50 Hz | 588403 | 588403 | 588403 |
| 6 | Latching Solenoid Assembly, 24 V dc | E2003 | E2003 | E2003 |
| 7 | Flow Adjustment Handle | R8359601 | N/A | 100322-H |
| 8 | Spring | R153201 | R153201 | 113801-H |
| 9 | Divider | 100237-H | 100237-H | 115001-H |
| 10 | Inlet Plug & O-Ring, NPT | 112801-H | 112801-H | 122301 |
| 11 | Internal Manual Bleed Assembly | R606902 | R606902 | R606902 |
| 12 | O-Ring | R1631 | R1631 | R1631 |

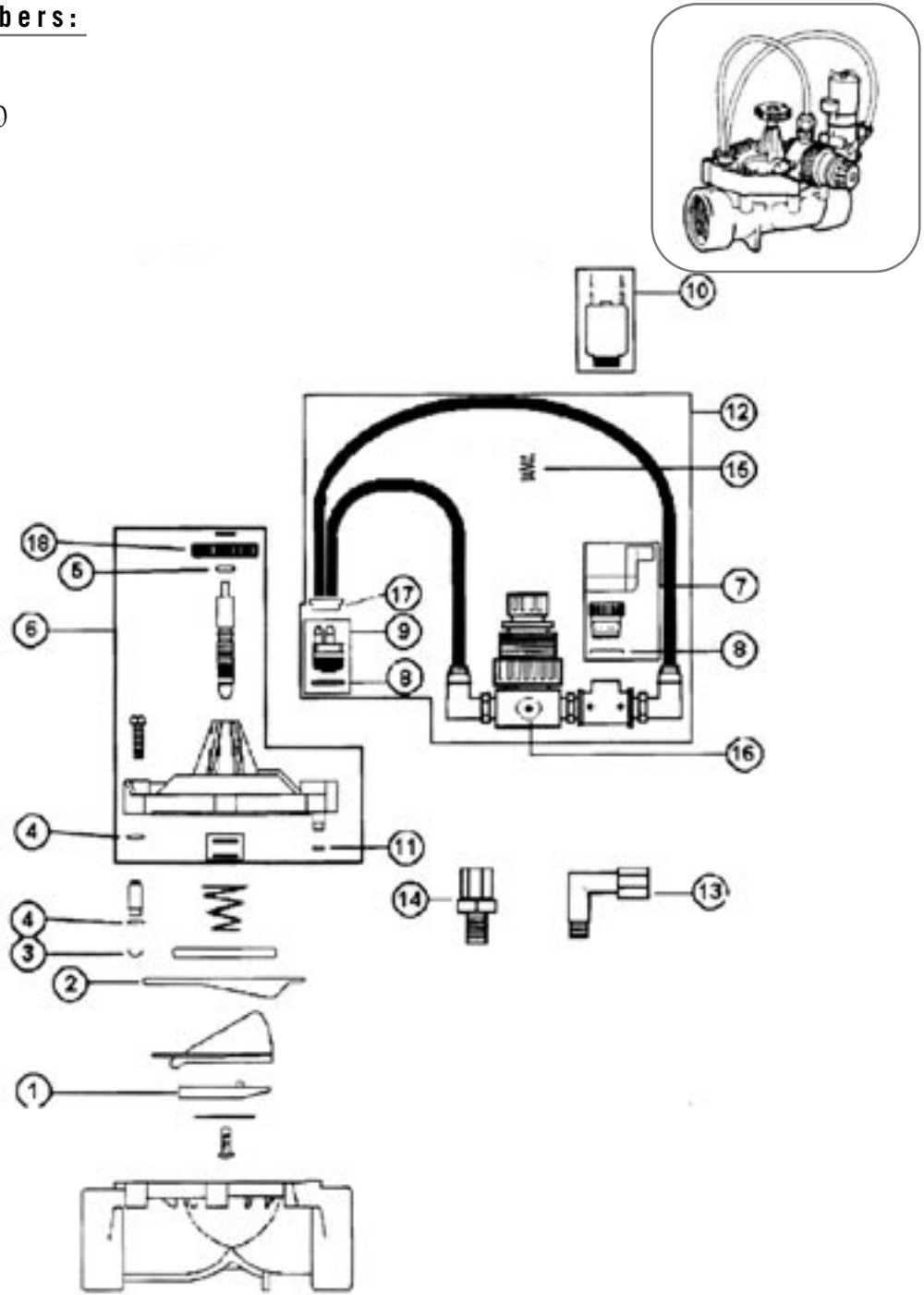
| Ref. # | Description | 216B - NF | 217B | 217B - NF |
|--------|------------------------------------|--------------|--------------|--------------|
| | | Part Numbers | Part Numbers | Part Numbers |
| 1 | Diaphragm Assembly | 114401-H | 114601-H | 114601-H |
| 2 | Flow Shaft Assembly | N/A | 113401 | N/A |
| 3 | External Bleed Screw | 100229 | 100229 | 100229 |
| 4 | O-Ring | 121001 | 121001 | 121001 |
| 5 | Cover Assembly (Bonnet) | R890502 | R218401 | R890503 |
| 6A | Solenoid Assembly, 24 V ac, 60 Hz | R811-24VACG | R811-24VACG | R811-24VACG |
| 6A | Solenoid Assembly, 24 V ac, 50 Hz | 588403 | 588403 | 588403 |
| 6B | 24 V dc Latching Solenoid Assembly | E2003 | E2003 | E2003 |
| 7 | Flow Adjustment Handle | N/A | 100322-H | N/A |
| 8 | Spring | 113801-H | 114001 | 114001 |
| 9 | Divider | 115001-H | 120601 | 120601 |
| 10 | Inlet Plug & O-Ring, NPT | 112801-H | 122501 | 122501 |
| 11 | Internal Manual Bleed Assembly | R606902 | R606902 | R606902 |
| 12 | O-Ring | R1631 | R1631 | R1631 |



700 Series (UltraFlow)

Model Numbers:

- 703-1-100
- 703-1.5-100
- 703-2-100
- 703-1-30
- 703-1.5-30
- 703-2-30



| | | 703-1-100 | 703-1.5-100 | 703-2-100 |
|---------------|--------------------------------------------------|----------------------|----------------------|----------------------|
| Ref. # | Description | Part Numbers | Part Numbers | Part Numbers |
| 1 | Seat Seal | R2349 | R2376 | R1874 |
| 2 | Diaphragm | R2357 | R2383 | R1869 |
| 3 | Filter Screen | R2360 | R2386 | R2655 |
| 4 | O-Ring | R2509 | R1054 | R2863 |
| 5 | O-Ring | R2509 | R1054 | R1993 |
| 6 | Bonnet Assembly | R691901 | R691701 | R691801 |
| 7 | Manual Bleed Assembly | R606902 | R606902 | R606902 |
| 8 | O-Ring | R1631 | R1631 | R1631 |
| 9 | Pressure Regulating Valve Adapter | R2658 | R2658 | R2658 |
| 10 | Solenoid Assembly, 24 V ac, 60 Hz | R811-24VACG | R811-24VACG | R811-24VACG |
| 10 | Solenoid Assembly, 24 V ac, 50 Hz | 588403 | 588403 | 588403 |
| 11 | O-Ring | R10153 | R10153 | R1054 |
| 12 | Pressure Regulating Assembly, 100 psi | R688602 | R688602 | R688602 |
| 12 | Pressure Regulator Repair Kit | R732101 | R732101 | R732101 |
| 13 | 90 Degree Male Elbow Assembly | 146001 | 146001 | 146001 |
| 14 | Straight Fitting Assembly | 128001 | 128001 | 128001 |
| 15 | Regulator Spring, 100 psi | SPK-101 | SPK-101 | SPK-101 |
| 16 | Schrader Valve | R2691 | R2691 | R2691 |
| 17 | Ferrule | R651001 | R651001 | R651001 |
| 18 | Flow Control Knob | R1019901 | R1027701 | R1995 |
| | Operating Instruction | 720001 | 720001 | 720001 |
| | Repair Kit | SPK-700-1 | SPK-700-1.5 | SPK-700-2 |
| | Parts Included in Repair Kit — Reference Numbers | 1, 2, 3, 4, 5, 8, 11 | 1, 2, 3, 4, 5, 8, 11 | 1, 2, 3, 4, 5, 8, 11 |

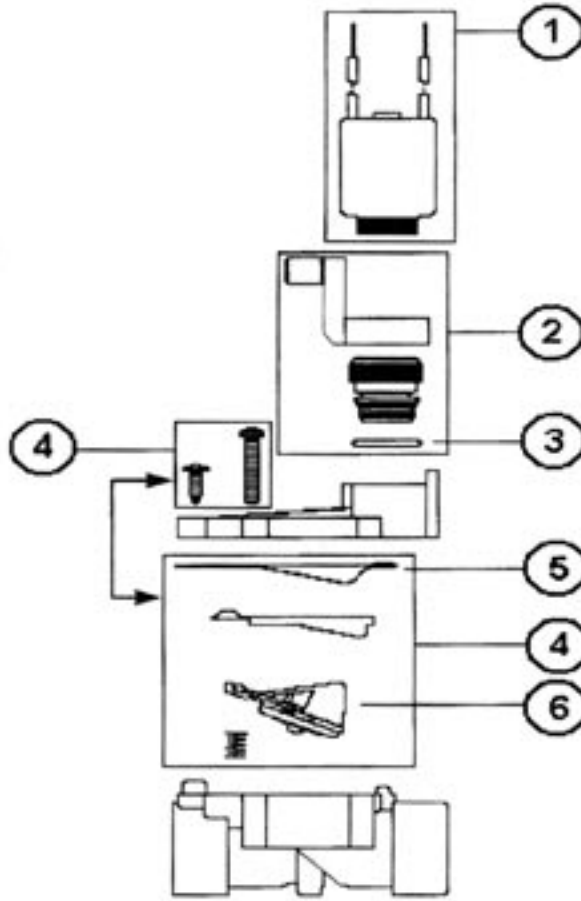
| | | 703-1-30 | 703-1.5-30 | 703-2-30 |
|---------------|----------------------------------------------|----------------------|----------------------|----------------------|
| Ref. # | Description | Part Numbers | Part Numbers | Part Numbers |
| 1 | Seat Seal | R2349 | R2376 | R1874 |
| 2 | Diaphragm | R2357 | R2383 | R1869 |
| 3 | Filter Screen | R2360 | R2386 | R2655 |
| 4 | O-Ring | R2509 | R1054 | R2863 |
| 5 | O-Ring | R2509 | R1054 | R2863 |
| 6 | Bonnet Assembly | R691901 | R691701 | R691801 |
| 7 | Manual Bleed Assembly | R606902 | R606902 | R606902 |
| 8 | O-Ring | R1631 | R1631 | R1631 |
| 9 | Pressure Regulating Valve Adapter | R2658 | R2658 | R2658 |
| 10 | Solenoid Assembly, 24 V ac, 60 Hz | R811-24VACG | R811-24VACG | R811-24VACG |
| 10 | Solenoid Assembly, 24 V ac, 50 Hz | 588403 | 588403 | 588403 |
| 11 | O-Ring | R10153 | R10153 | R1054 |
| 12 | Pressure Regulating Assembly, 30 psi | R688601 | R688601 | R688601 |
| 12 | Pressure Regulator Repair Kit | R732101 | R732101 | R732101 |
| 13 | 90 Degree Male Elbow Assembly | 146001 | 146001 | 146001 |
| 14 | Straight Fitting Assembly | 128001 | 128001 | 128001 |
| 15 | Regulator Spring, 30 psi | SPK-31 | SPK-31 | SPK-31 |
| 16 | Schrader Valve | R2691 | R2691 | R2691 |
| 17 | Ferrule | R651001 | R651001 | R651001 |
| 18 | Flow Control Knob | R1019901 | R1027701 | R1995 |
| | Operating Instruction | 720001 | 720001 | 720001 |
| | Repair Kit | SPK-700-1 | SPK-700-1.5 | SPK-700-2 |
| | Parts Included in Repair Kit — Reference Nos | 1, 2, 3, 4, 5, 8, 11 | 1, 2, 3, 4, 5, 8, 11 | 1, 2, 3, 4, 5, 8, 11 |



700 Series (UltraFlow)

Model Numbers:

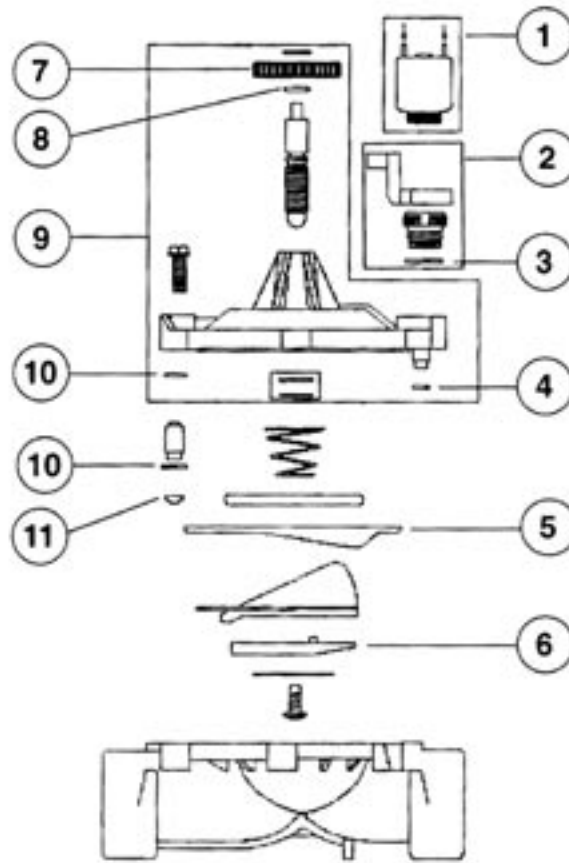
- 700-.75
- 700B-.75



| | | 700-.75 | 700B-.75 |
|--------|-----------------------------------|--------------|--------------|
| Ref. # | Description | Part Numbers | Part Numbers |
| 1 | Solenoid Assembly, 24 V ac, 60 Hz | R811-24VACG | R811-24VACG |
| 1 | Solenoid Assembly, 24 V ac, 50 Hz | 588403 | 588403 |
| 2 | Manual Bleed Assembly | R606902 | R606902 |
| 3 | O-Ring | R1631 | R1631 |
| 4 | Repair Kit (includes screws) | SPK-700-.75 | SPK-700B-.75 |
| 5 | Diaphragm | R2026 | R2026 |
| 6 | Seat Seal Assembly | R2035 | R1018101 |
| | Repair Instructions | 2161 | 2161 |

Model Numbers:

- 700-1
- 700-1.5
- 700-2



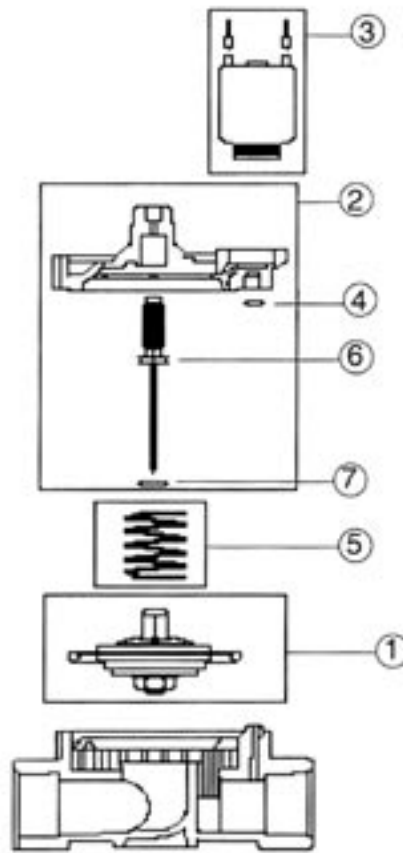
| | | 700-1 | 700-1.5 | 700-2 |
|---------------|-----------------------------------|---------------------|---------------------|---------------------|
| Ref. # | Description | Part Numbers | Part Numbers | Part Numbers |
| 1 | Solenoid Assembly, 24 V ac, 60 Hz | R811-24VACG | R811-24VACG | R811-24VACG |
| 1 | Solenoid Assembly, 24 V ac, 50 Hz | 588403 | 588403 | 588403 |
| 2 | Manual Bleed Assembly | R606902 | R606902 | R606902 |
| 3 | O-Ring | R1631 | R1631 | R1631 |
| 4 | O-Ring | R10153 | R10153 | R1054 |
| 5 | Diaphragm | R2357 | R2383 | R1869 |
| 6 | Seat Seal | R2349 | R2376 | R1874 |
| 7 | Flow Control Knob | R1019901 | R1027701 | R1995 |
| 8 | O-Ring | R2509 | R1054 | R2863 |
| 9 | Bonnet Assembly | R691901 | R691701 | R691801 |
| 10 | O-Ring | R2509 | R1054 | R2863 |
| 11 | Filter Screen | R2360 | R2386 | R2655 |
| | Repair Kit | SPK-700-1 | SPK-700-1.5 | SPK-700-2 |



HR1 Series

Model Numbers:

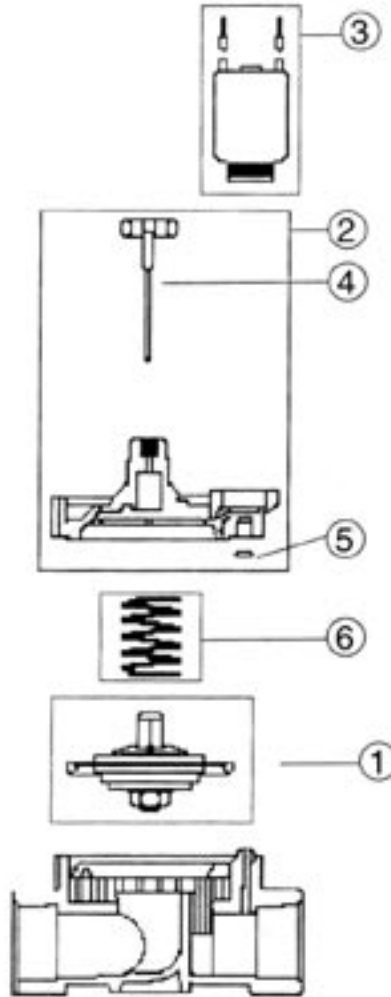
- HR1-SF
- HR1-TF



| Ref. # | Description | HR1-SF | HR1-TF |
|--------|-----------------------------------|--------------|--------------|
| | | Part Numbers | Part Numbers |
| 1 | Diaphragm Assembly | R1359 | R1359 |
| 2 | Cover Assembly | R719901 | R719901 |
| 3 | Solenoid Assembly, 24 V ac, 60 Hz | R811-24VACG | R811-24VACG |
| 3 | Solenoid Assembly, 24 V ac, 50 Hz | 588403 | 588403 |
| 4 | Metering Rod & Bleed | R1806 | R1806 |
| 5 | O-Ring | R1054 | R1054 |
| 6 | Spring | R-H1040 | R-H1040 |

Model Numbers:

- HR1-S
- HR1-T



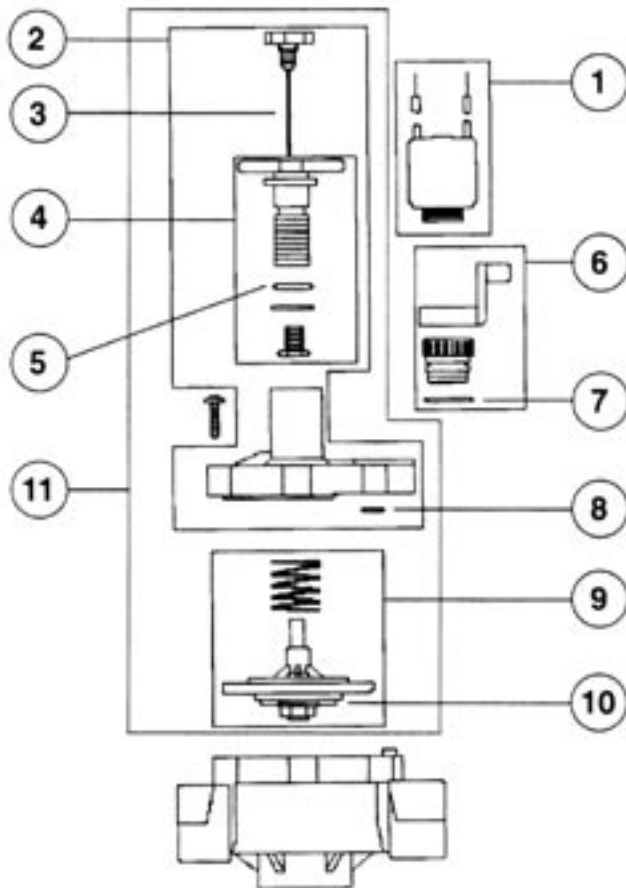
| Model | | HR1-S | HR1-T |
|--------|-----------------------------------|--------------|--------------|
| Ref. # | Description | Part Numbers | Part Numbers |
| 1 | Diaphragm Assembly | R1359 | R1359 |
| 2 | Cover Assembly | R719801 | R719801 |
| 3 | Solenoid Assembly, 24 V ac, 60 Hz | R811-24VACG | R811-24VACG |
| 3 | Solenoid Assembly, 24 V ac, 50 Hz | 588403 | 588403 |
| 4 | O-Ring | R1054 | R1054 |
| 5 | Spring | R-H1040 | R-H1040 |
| 6 | Metering Rod & Bleed | R2813 | R2813 |
| 7 | O-Ring | R1222 | R1222 |



Century Series

Model Numbers:

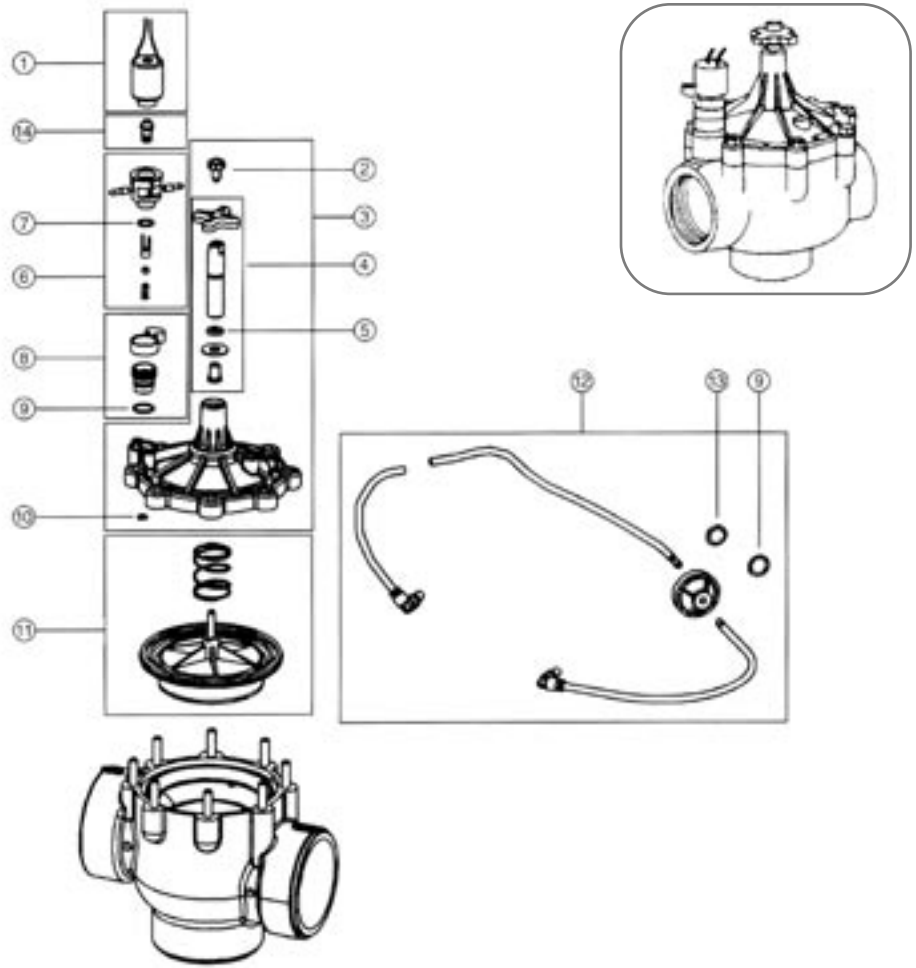
- 100-1
- 100-1.5
- 100-2
- 100-3



| Ref. # | Description | 100-1 | 100-1.5 | 100-2 | 100-3 |
|--------|-----------------------------------|--------------|--------------|--------------|--------------|
| | | Part Numbers | Part Numbers | Part Numbers | Part Numbers |
| 1 | Solenoid Assembly, 24 V ac, 60 Hz | R811-24VACG | R811-24VACG | R811-24VACG | R811-24VACG |
| 1 | Solenoid Assembly, 24 V ac, 50 Hz | 588403 | 588403 | 588403 | 588403 |
| 2 | Bonnet Assembly | R-2001-H | R-2001-H | R-2006 | R-2006 |
| 3 | Metering Rod Assembly | R-1552 | R-1552 | R-1552 | R-1552 |
| 4 | Stem Assembly | R2862-1 | R2862-1 | N/A | N/A |
| 4 | Stem Assembly – Brass | N/A | N/A | R-1032 | R-1032 |
| 5 | O-Ring | R688701 | R688701 | R688701 | R688701 |
| 6 | Manual Bleed Assembly | R606902 | R606902 | R606902 | R606902 |
| 7 | O-Ring | R1631 | R1631 | R1631 | R1631 |
| 8 | O-Ring | R1054 | R1054 | R1054 | R1054 |
| 9 | Diaphragm Assembly | R-1308 | R-1310 | R-1312 | R-1314 |
| 10 | Seat Seal | N/A | N/A | R1058 | R1059 |
| 11 | Repair Kit | SPK-100-1 | SPK-100-1.5 | SPK-100-2 | SPK-100-3 |
| 12 | Retro Kit Screws (100) | R739001 | R739001 | R739001 | R739001 |

Model Numbers:

- 102P1
- 102P1.5
- 102P2
- 102P3



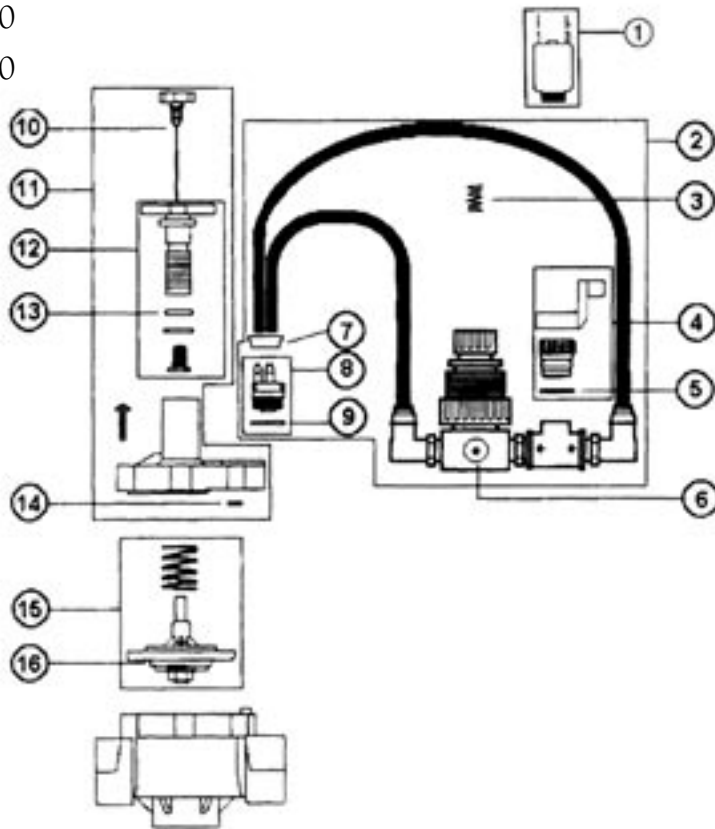
| | | 102P1 | 102P1.5 | 102P2 | 102P3 |
|--------|-------------------------------------------|--------------|--------------|--------------|--------------|
| Ref. # | Description | Part Numbers | Part Numbers | Part Numbers | Part Numbers |
| 1 | Solenoid Only (no plunger/springs) | R794101 | R794101 | R794101 | R794101 |
| 2 | Bleed Button, Slot | R2805 | R2805 | R2805 | R2805 |
| 3 | Bonnet Assembly | R955601 | R955601 | R955801 | R955801 |
| 4 | Stem Assembly | R2862-1 | R2862-1 | R-1032 | R-1032 |
| 5 | O-Ring | R688701 | R688701 | R688701 | R688701 |
| 6 | 3-way Pilot Assembly | R-1340 | R-1340 | R-1340 | R-1340 |
| 7 | O-Ring | 100225 | 100225 | 100225 | 100225 |
| 8 | Bleed Plug, Anti-contamination | R685201 | R685201 | R685201 | R685201 |
| 9 | O-Ring | R1631 | R1631 | R1631 | R1631 |
| 10 | O-Ring | R1054 | R1054 | R1054 | R1054 |
| 11 | Diaphragm Assembly | R956001 | R956101 | R956201 | R956301 |
| 12 | Anti-contamination Kit | R1146-2 | R1146-2 | R1146-2 | R1146-2 |
| 13 | Anti-contamination Screen | R1733 | R1733 | R1733 | R1733 |
| 14 | Spring and Plunger Assembly | R532503 | R532503 | R532503 | R532503 |
| | Retrofit Kit (Parts included 3, 11, 8, 6) | R956401 | R956501 | R956601-H | R956701-H |



Century Series

Model Numbers:

- 103-1-100
- 103-1.5-100
- 103-2-100
- 103-3-100



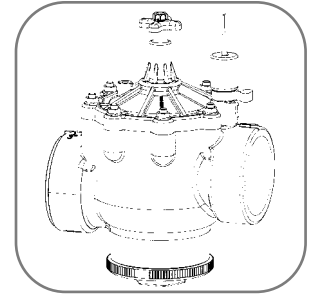
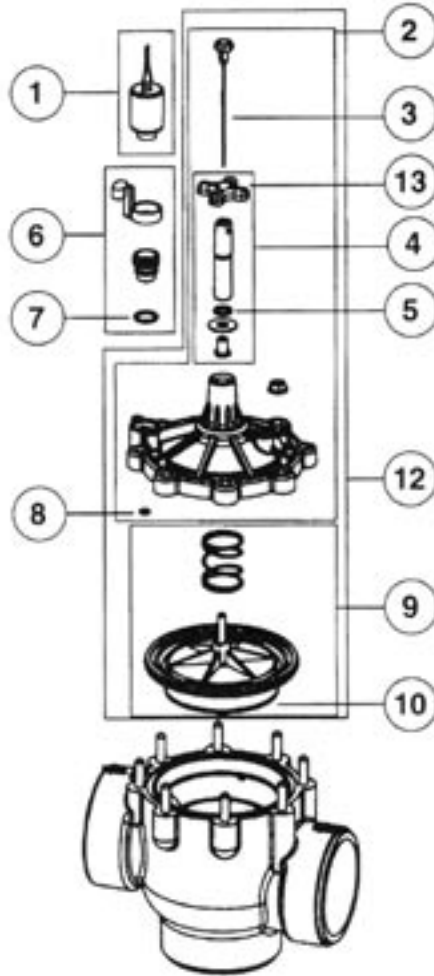
| | | 103-1-100 | 103-1.5-100 | 103-2-100 | 103-3-100 |
|--------|-----------------------------------|--------------|--------------|--------------|--------------|
| Ref. # | Description | Part Numbers | Part Numbers | Part Numbers | Part Numbers |
| 1 | Solenoid Assembly, 24 V ac, 60 Hz | R811-24VACG | R811-24VACG | R811-24VACG | R811-24VACG |
| 1 | Solenoid Assembly, 24 V ac, 50 Hz | 588403 | 588403 | 588403 | 588403 |
| 2 | Pressure Regulating Assembly | R688602 | R688602 | R688602 | R688602 |
| 2 | Pressure Regulating Repair Kit | R732101 | R732101 | R732101 | R732101 |
| 3 | Regulator Spring 100 psi | SPK-101 | SPK-101 | SPK-101 | SPK-101 |
| 4 | Manual Bleed Assembly | R606902 | R606902 | R606902 | R606902 |
| 5 | O-Ring | R1631 | R1631 | R1631 | R1631 |
| 6 | Schrader Valve | R2691 | R2691 | R2691 | R2691 |
| 7 | Ferrule | R651001 | R651001 | R651001 | R651001 |
| 8 | Pressure Regulating Valve Adapter | R2658 | R2658 | R2658 | R2658 |
| 9 | O-Ring | R1631 | R1631 | R1631 | R1631 |
| 10 | Metering Rod Assembly | R-1552 | R-1552 | R-1552 | R-1552 |
| 11 | Bonnet Assembly | R-2001 | R-2001 | R-2006 | R-2006 |
| 12 | Stem Assembly | R2862-1 | R2862-1 | N/A | N/A |
| 13 | O-Ring | R688701 | R688701 | R688701 | R688701 |
| 14 | O-Ring | R1054 | R1054 | R1054 | R1054 |
| 15 | Diaphragm Assembly | R-1308 | R-1310 | R-1053 | R-1053 |
| 16 | Seat Seal | N/A | N/A | R1058 | R1059 |



100 Series (Century PLUS)

Model Numbers:

- 100P1
- 100P1.5
- 100P2
- 100P3



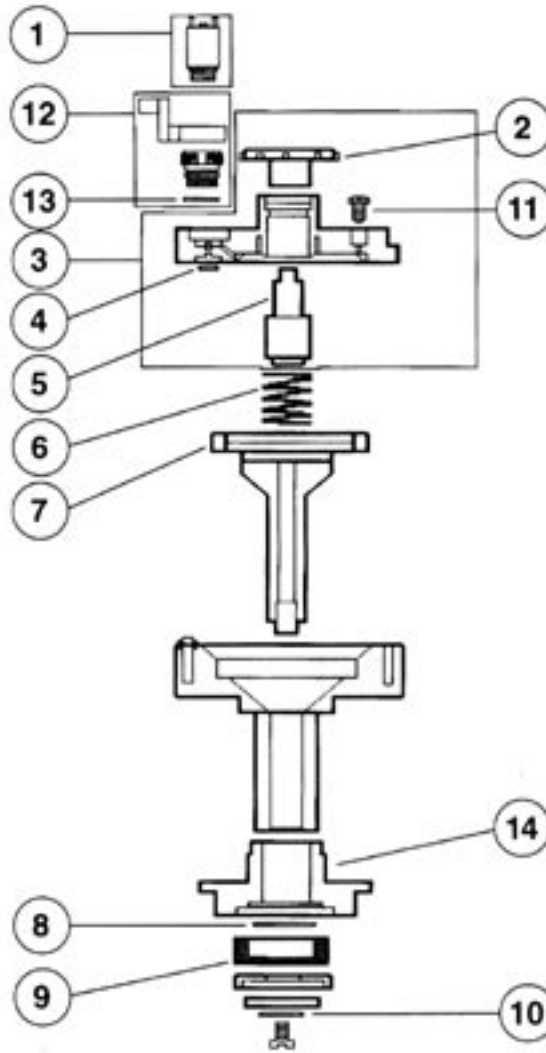
| | | 100P1 | 100P1.5 | 100P2 | 100P3 |
|--------|----------------------------------------------|--------------|--------------|--------------|--------------|
| Ref. # | Description | Part Numbers | Part Numbers | Part Numbers | Part Numbers |
| 1 | Solenoid Assy., 24 V ac, 60 Hz | R811-24VACG | R811-24VACG | R811-24VACG | R811-24VACG |
| 1 | Solenoid Assembly, 24 V ac, 50 Hz | 588403 | 588403 | 588403 | 588403 |
| 2 | Bonnet Assembly | R933601 | R933601 | R934601 | R934601 |
| 3 | Metering Rod Assembly | R-1552 | R-1552 | R-1552 | R-1552 |
| 4 | Stem Assembly | R2862-1 | R2862-1 | N/A | N/A |
| 4 | Stem Assembly – Brass | N/A | N/A | R-1032 | R-1032 |
| 5 | O-Ring | R688701 | R688701 | R688701 | R688701 |
| 6 | Manual Bleed Assembly | R606902 | R606902 | R606902 | R606902 |
| 7 | O-Ring | R1631 | R1631 | R1631 | R1631 |
| 8 | O-Ring | R1054 | R1054 | R1054 | R1054 |
| 9 | Diaphragm Assembly | R933051 | R934201 | R934501 | R935001 |
| 10 | Seat Seal | N/A | N/A | R1058 | R1059 |
| 11 | Repair Kit | R100P1 | R100P1.5 | R100P2 | R100P3 |
| | Parts Included in Repair Kit — Reference Nos | 3, 7, 8, 9 | 3, 7, 8, 9 | 3, 7, 8, 9 | 3, 7, 8, 9 |
| 12 | Retrofit Kit | R936001 | R936101 | R936201 | R936301 |
| 13 | Handle | R856101 | R856101 | R1017-1 | R856101 |



623DPR Series

Model Numbers:

- 623DPR-.75
- 623DPR-1
- 2623DPR-.75
- 2623DPR-1



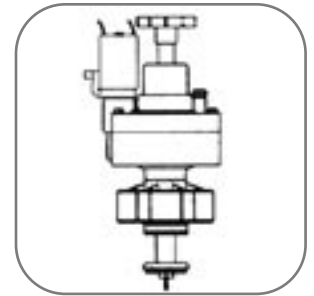
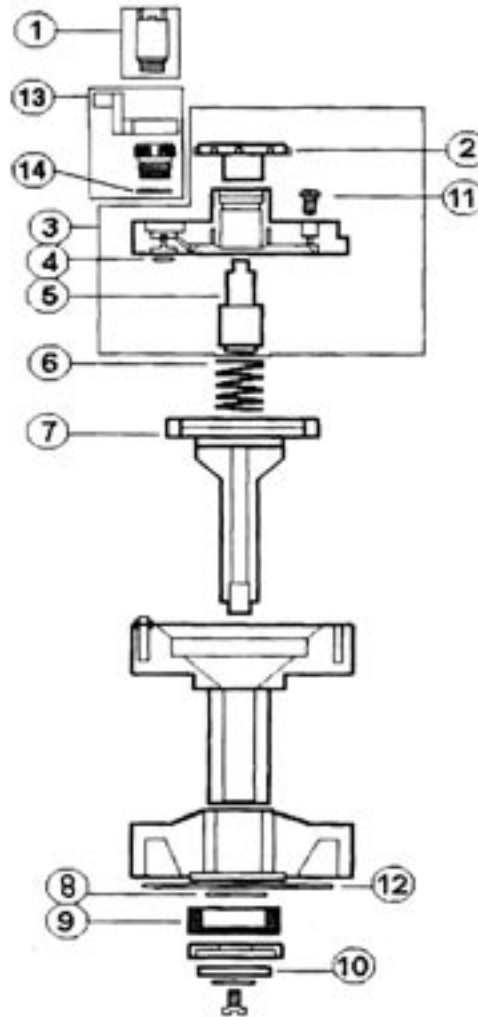
| Ref. # | Description | 623DPR-.75/2623DPR-.75 | 623DPR-.75/2623DPR-1 |
|--------|-----------------------------------|------------------------|----------------------|
| | | Part Numbers | Part Numbers |
| 1 | Solenoid Assembly, 24 V ac, 60 Hz | R811-24VACG | R811-24VACG |
| 1 | Solenoid Assembly, 24 V ac, 50 Hz | 588403 | 588403 |
| 2 | Flow Adjust Knob | 100227-H | 100227-H |
| 3 | Cover Assembly | 636201 | 636201 |
| 4 | O-Ring | 121001 | 121001 |
| 5 | Flow Adjustment Assembly | 148201 | 148201 |
| 6 | Spring | R153201 | R153201 |
| 7 | Diaphragm Stem Assembly | 636302 | 573601 |
| 8 | O-Ring | R725401 | R725401 |
| 9 | Retaining Ring | R601-6 | R601-6 |
| 10 | Bib Washer | 156001 | 156201 |
| 11 | Bleed Screw | 100229 | 100229 |
| 12 | Manual Bleed Assembly | R606902 | R606902 |
| 13 | O-Ring | R1631 | R1631 |
| 14 | GEE Adapter Nut | 846001 | 845701 |



756DPR Series

Model Numbers:

- 756DPR-.75
- 756DPR-1



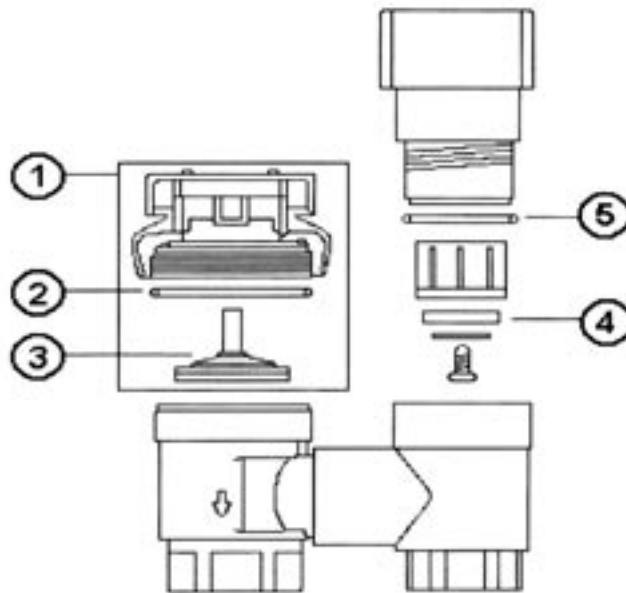
| Ref. # | Description | 756DPR-.75 | 756DPR-1 |
|--------|-----------------------------------|--------------|--------------|
| | | Part Numbers | Part Numbers |
| 1 | Solenoid Assembly, 24 V ac, 60 Hz | R811-24VACG | R811-24VACG |
| 1 | Solenoid Assembly, 24 V ac, 50 Hz | 588403 | 588403 |
| 2 | Flow Adjust Knob | 100227-H | 100227-H |
| 3 | Cover Assembly | 636201 | 636201 |
| 4 | O-Ring | 121001 | 121001 |
| 5 | Flow Adjustment Assembly | 148201 | 148201 |
| 6 | Spring | R153201 | R153201 |
| 7 | Diaphragm Stem Assembly | 636302 | 573501 |
| 8 | O-Ring | R725401 | R725401 |
| 9 | Retaining Ring | R601-6 | R601-6 |
| 10 | Bib Washer | 156001 | 156201 |
| 11 | Bleed Screw | 100229 | 100229 |
| 12 | Gasket | 148401-H | 148501 |
| 13 | Manual Bleed Assembly | R606902 | R606902 |
| 14 | O-Ring | R1631 | R1631 |



300 Series

Model Numbers:

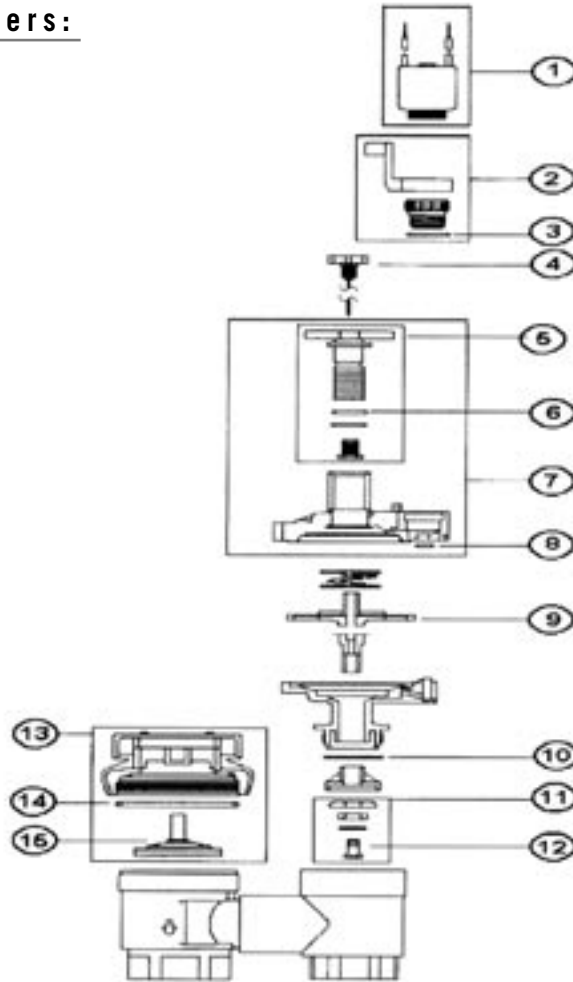
- 305-.75
- 305-1



| Ref. # | Description | 305-.75 | 305-1 |
|--------|----------------------------|--------------|--------------|
| | | Part Numbers | Part Numbers |
| 1 | Anti-siphon Cover Assembly | R728001 | R728001 |
| 2 | O-Ring | R2797 | R2797 |
| 3 | Stem Assembly | R727901 | R727901 |
| 4 | Seat Seal Assembly | R2407 | R2407 |
| 5 | O-Ring | R726702 | R726701 |

Model Numbers:

- 311A-.75
- 311A-1



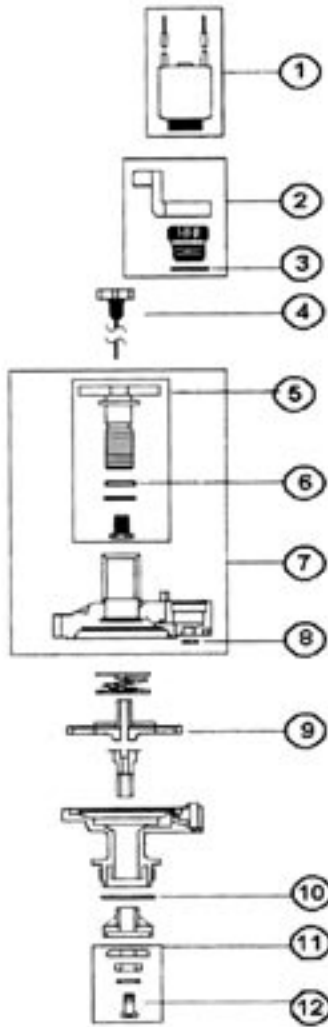
| Ref. # | Description | 311A-.75 | 311A-1 |
|--------|----------------------------------------------------|--------------|--------------|
| | | Part Numbers | Part Numbers |
| 1 | Solenoid Assembly, 24 V ac, 60 Hz | R811-24VACG | R811-24VACG |
| 1 | Solenoid Assembly, 24 V ac, 50 Hz | 588403 | 588403 |
| 2 | Manual Bleed Assembly | R606902 | R606902 |
| 3 | O-Ring | R1631 | R1631 |
| 4 | Metering Rod Assembly | R-2025 | R-2025 |
| 5 | Flow Adjustment Assembly | R2862-1 | R2862-1 |
| 6 | O-Ring | R688701 | R688701 |
| 7 | Bonnet Assembly | R933601 | R933601 |
| 8 | O-Ring | R1054 | R1054 |
| 9 | Diaphragm Stem Assembly (includes Ref. Nos. 2 & 8) | R727001 | R726901 |
| 10 | O-Ring | R726801 | R726701 |
| 11 | Seat Seal Assembly | R650001 | R650002 |
| 12 | Seat Seal Screw | R544101 | R544101 |
| 13 | Anti-siphon Cover Assembly | R728001 | R728001 |
| 14 | O-Ring | R2797 | R2797 |
| 15 | Stem Assembly | R727901 | R727901 |



300 Series

Model Numbers:

- 305-.75
- 305-1



| Ref. # | Description | 305-.75 | 305-1 |
|--------|----------------------------------------------------|--------------|--------------|
| | | Part Numbers | Part Numbers |
| 1 | Solenoid Assembly, 24 V ac, 60 Hz | R811-24VACG | R811-24VACG |
| 1 | Solenoid Assembly, 24 V ac, 50 Hz | 588403 | 588403 |
| 2 | Manual Bleed Assembly | R606902 | R606902 |
| 3 | O-Ring | R1631 | R1631 |
| 4 | Metering Rod Assembly | R-2025 | R-2025 |
| 5 | Flow Adjustment Assembly | R2862-1 | R2862-1 |
| 6 | O-Ring | R688701 | R688701 |
| 7 | Bonnet Assembly | R933601 | R933601 |
| 8 | O-Ring | R1054 | R1054 |
| 9 | Diaphragm Stem Assembly (includes Ref. Nos. 2 & 8) | R727001 | R726901 |
| 10 | O-Ring | R726801 | R726701 |
| 11 | Seat Seal Assembly | R650001 | R650002 |
| 12 | Seat Seal Screw | R544101 | R544101 |

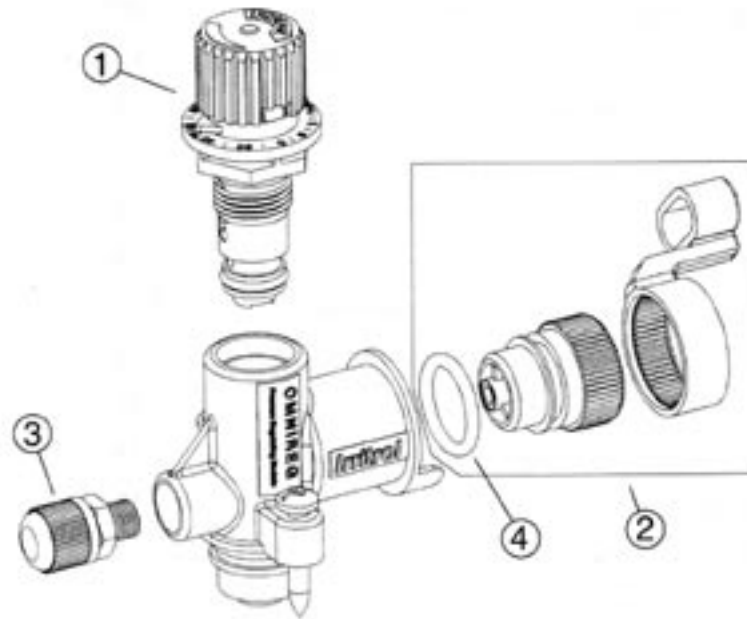


Valve Regulator

OmniReg™ Series

Model Numbers:

- OMR-30
- OMR-100



| | | OMR-30 | OMR-100 |
|---------------|----------------------------------------|---------------------|---------------------|
| Ref. # | Description | Part Numbers | Part Numbers |
| 1 | Module | R832502 (5-30PSI) | R832501 (5-100PSI) |
| 2 | Bleed Plug, O-Ring and Handle Assembly | R606902 | R606902 |
| 3 | Schrader Valve | R2691 | R2691 |
| 4 | O-Ring | R1631 | R1631 |

Irritrol[®]
SYSTEMS