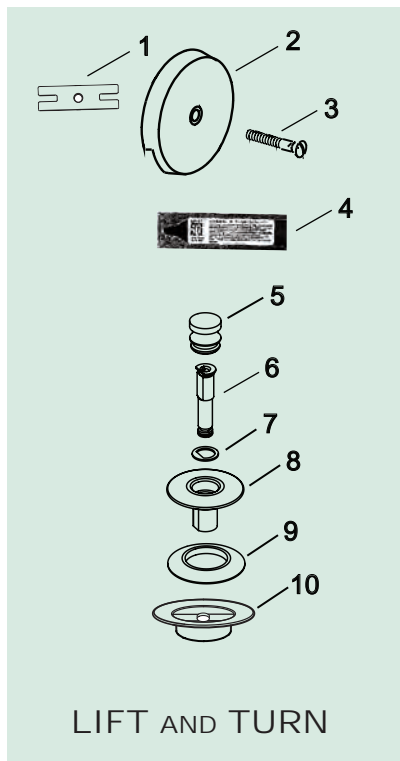


NuFIT® Series Parts Lists



LIFT AND TURN

#48400 NuFIT® – LT TRIM KIT

1. 11641 Adapter Bar
2. 01002___ 1-Hole Overflow Plate
3. 01024___ Overflow Plate Screw, 2.25"
4. 96057 Silicone Pouch, new style
5. 01010___ Knob, Brass
6. 11078 L&T "D" Pin for NuFit®
7. 11088 L&T "D" Ring
8. 01046___ PP Stopper, Brass (short)
9. 11507 PP Seal, 1-1/6" dia.
10. 01044___ NuFit LT Strainer Body

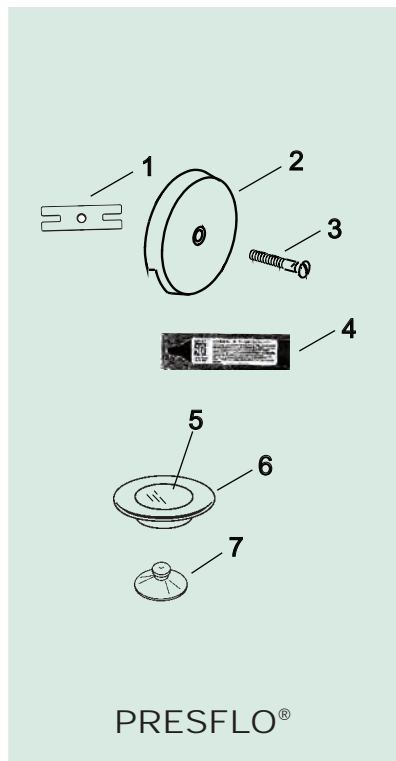
Requires minimum 1.390" I.D. opening
Flange covers maximum of 2.875" O.D.
Depth clearance needed = .390"

#48300 NuFIT® – LT TUB CLOSURE

4. 96057 Silicone Pouch, new style
5. 01010___ Knob, Brass
6. 11078 L&T "D" Pin for NuFit®
7. 11088 L&T "D" Ring
8. 01046___ PP Stopper, Brass (short)
9. 11507 PP Seal, 1-1/6" dia.
10. 01044___ NuFit LT Strainer Body

LIFT AND TURN FINISHES

CP - Chrome Plated
 BN - Brushed Nickel
 BZ - Oil-Rubbed Bronze
 CB - Chrome Brushed
 PB - Polished Brass



PRESFLO®

#48100 NuFIT® – PF TRIM KIT

1. 11641 Adapter Bar
2. 01002___ 1-Hole Overflow Plate
3. 01024___ Overflow Plate Screw, 2.25"
4. 96057 Silicone Pouch, new style
5. 11155___ PF Stopper, FT, Plastic
6. 01042___ PF NuFit Strainer Body
7. 96039 PF Suction Cup, 1.5"

Requires minimum 1.490" I.D. opening
Flange covers maximum of 2.875" O.D.
Depth clearance needed = .850"

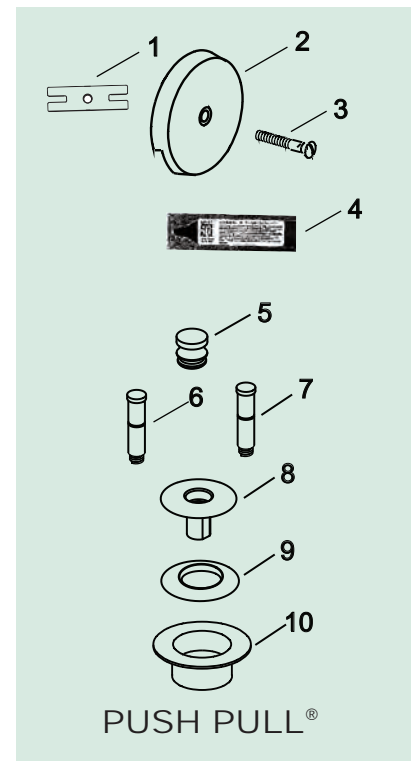
ADA

#48200 NuFIT® – PF TUB CLOSURE

4. 96057 Silicone Pouch, new style
5. 11155___ PF Stopper, FT, Plastic
6. 01042___ PF NuFit Strainer Body
7. 96039 PF Suction Cup, 1.5"

PRESFLO® FINISHES

CP - Chrome Plated PB - Polished Brass
 AP - Aged Pewter PN - Pearl Nickel
 BN - Brushed Nickel WI - Wrought Iron
 BZ - Oil-Rubbed Bronze
 CB - Chrome Brushed



PUSH PULL®

#48500 NuFIT® – PP TRIM KIT

1. 11641 Adapter Bar
2. 01002___ 1-Hole Overflow Plate
3. 01024___ Overflow Plate Screw, 2.25"
4. 96057 Silicone Pouch, new style
5. 01010___ Knob, Brass
6. 11532 3/8 Pin with 11505 Friction Ring
7. 11536 5/16 Pin with 11505 Friction Ring
8. 01013___ PP Stopper, Brass
9. 11507 PP Seal, 1-1/6" dia.
10. 01043___ NuFit® Strainer Body

Requires minimum 1.410" I.D. opening
Flange covers maximum of 2.875" O.D.
Depth clearance needed = .860"

#48600 NuFIT® – PP TUB CLOSURE

4. 96057 Silicone Pouch, new style
5. 01010___ Knob, Brass
6. 11532 3/8 Pin with 11505 Friction Ring
7. 11536 5/16 Pin with 11505 Friction Ring
8. 01013___ PP Stopper, Brass
9. 11507 PP Seal, 1-1/6" dia.
10. 01043___ NuFit® Strainer Body

PUSH PULL® FINISHES

CP - Chrome Plated PB - Polished Brass
 BN - Brushed Nickel PN - Pearl Nickel
 BS - Biscuit WH - White
 BZ - Oil-Rubbed Bronze