

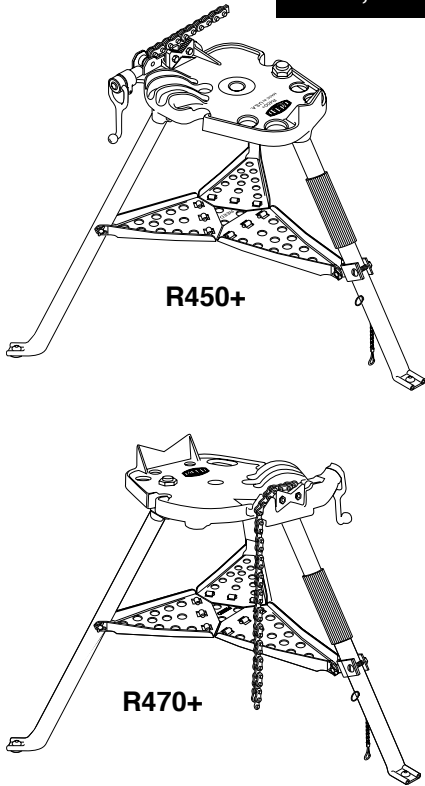


PIPE TOOLS & VISES  
SINCE 1896

# Tripod Pipe Vises: Chain Style (R450+, R450C, R450P, R470+)

Replacement Parts

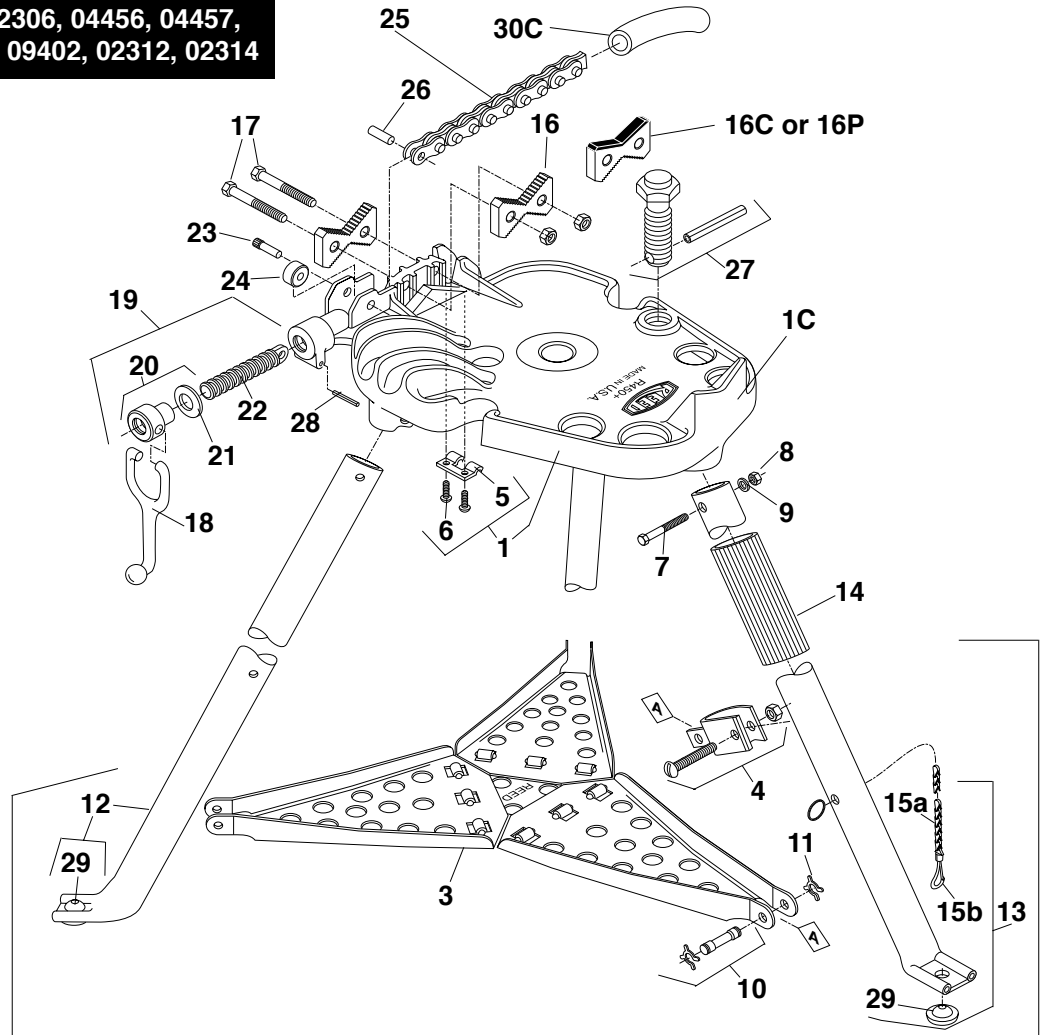
Applies to: 02306, 04456, 04457,  
04458, 04459, 09402, 02312, 02314



Capacity: 1/8" Through 6"

Patented

\*Aluminum legs for R450PAL model are not listed; contact REED for details.



## Parts List

Ref. No.	Description	REED (pack) Item Code	REED Item Code	Replaces Ridgid®	
				Cat No.	Old P/N
1A	R450+ Base with Wear Plate and Screws		99050	41170 / 72097*	—
1B	R470+ Base with Wear Plate and Screws		99403	—	—
1C	R450C Clean Room Base		99051	—	—
2	Leg & Tray Assembly		99052	40915	B-2007-X
3	Tool Tray		99004	41240	C-448
4	Tray Support Clamp w/screw & nut		99054	41235	D-488-X
5	Wear Plate		99022	40955	E-1339
6	Screw for wear plate (2)	5 Pk=99069	39002	40960	E-75-X
7	Leg Bolt (3)	5 Pk=99080	30187	46670	E-868
8	Nut (3)	5 Pk=99071	30032	44225	E-1094
9	Lock Washer (5)	5 Pk=99072	30033	40930	E-1095
10	Tray Pins (3) w/"X" Washers (6)		99053	41265	E-1375-X
11	"X" Washers (6)	5 Pk=99073	99010	41270	E-1377
12	Front Leg Assembly (2)		99057	41255	E-1385-X
13	Rear Leg Assembly		99058	41250	E-1389-X
14	Handle Grip		40183	—	—
15a	Leg Chain Assembly		99055	40945	E-1444-X
15b	Chain Hook		40205	—	—
16	Jaws (2)	Pair=99075	99025	—	—

Ref. No.	Description	REED (pack) Item Code	REED Item Code	Replaces Ridgid®	
				Cat No.	Old P/N
16C	R450C (2)	Pair=99076	99028	NI	NI
16P	R450P (2)	Pair=99077	99023	—	—
17	Jaw Screws & Nuts (2)	5 Pk=99059	99084	NI	NI
18	Handle		92007	NI	NI
19	Handle & Screw Assembly		99060	41050	E-3171-X
20	Handle with Nut & Washer		99061	NI	NI
21	Thrust Washer		99024	NI	NI
22	Chain Screw		99020	NI	NI
23	Roller Pin		92056	NI	NI
24	Roller		92010	40990	E-2488
25	Chain with Pin		99013	41075 / 72092*	—
26	Chain Screw Pin		92122	41040	E-2781
27	Jack Screw Assembly		99064	41230 / 72102*	—
28	Nut Locking Pin		93436	31650	E-4783
29	Grommet (3)		40171	40940	F-532
30C	R450C Chain Cover for clean rooms		99030	—	—

NI - Not Interchangeable with Ridge Tool Co. parts. ® Ridgid is a registered trademark of Ridge Tool Co.  
\*First number is for Ridgid 450, second number for Ridgid 460.

Reed Manufacturing  
1425 West 8th Street  
Erie, PA 16502 USA



Phone: 800-666-3691 or +1-814-452-3691  
reedsales@reedmfgco.com  
www.reedmfgco.com

RP-1221-01  
#50450