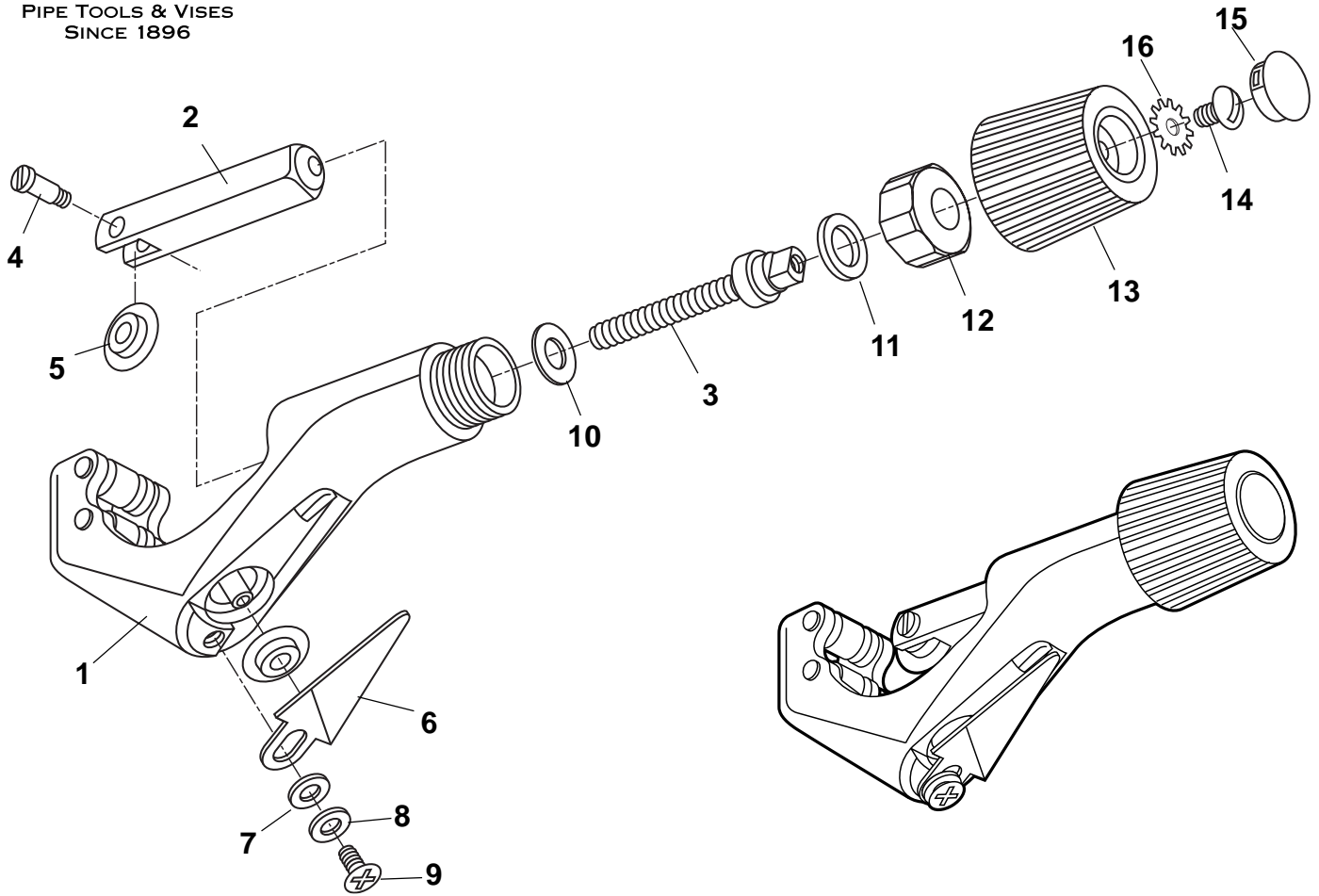




PIPE TOOLS & VISES
SINCE 1896

Tubing Cutters (TC11, TC11SS, TC17, TC17SS)

Replacement Parts



Parts List

Ref. No.	Description	TC11	TC11SS	TC17	TC17SS	Quantity
		#03480 Item Code	#03481 Item Code	#03482 Item Code	#03478 Item Code	
1	Body Assembly	93700	93700	93702	93702	1
2	Slide Bar	43706	43706	43716	43716	1
3	Feed Screw	43702	43702	43717	43717	1
4	Wheel Pin	43709	43709	93666	93666	1
5	Cutter Wheel	03662	03663	03662	03663	2
6	Reamer	43710	43710	43710	43710	1
7	Reamer Flat Washer	43715	43715	43715	43715	1
8	Reamer Curved Washer	43711	43711	43711	43711	1
9	Reamer Screw	43712	43712	43712	43712	1
10	Reverse Thrust Washer	43703	43703	43703	43703	1
11	Forward Thrust Washer	43704	43704	43704	43704	1
12	Retaining Nut	43705	43705	43705	43705	1
13	Knob	93701	93710	93701	93710	1
14	Knob Screw	43713	43713	43713	43713	1
15	Knob Cap	43714	43714	43714	43714	1
16	External Tooth Washer	30301	30301	30301	30301	1

Reed Manufacturing Company
1425 West 8th St.
Erie, PA 16502 USA



Phone: 800-666-3691 or 814-452-3691
Fax: 800-456-1697 or 814-455-1697

RP-901-29