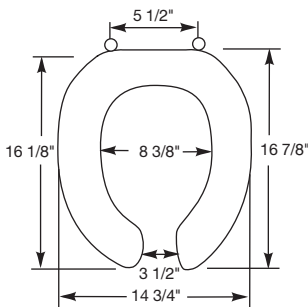




MODEL 3L2050T

- 3" LIFT SEAT
- ROUND SEAT, OPEN FRONT WITH COVER
- HEAVY DUTY PLASTIC
- DURAGUARD[®] ANTIMICROBIAL AGENT
- STA-TITE[®], COMMERCIAL FASTENING SYSTEM[™]

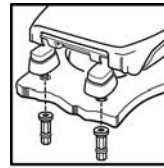
DuraGuard[®]
ANTIMICROBIAL



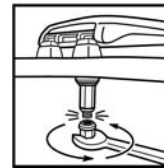
Ring thickness is 13/16"
 Ring thickness including the bumper is 3-1/16"
 Height of the seat with cover is 4-5/16"

STA-TITE[®]

Seats shall be No. 3L2050T as manufactured by Church Seats to allow an additional 3" of height above the rim of the bowl. Seats shall contain DuraGuard[®], an antimicrobial agent. Seats shall be heavy weight and injection molded of solid plastic. Seats shall have STA-TITE[®], Commercial Fastening System[™], featuring concealed check hinges with 300 Series stainless steel posts and pintles that stop seat 11 degrees beyond vertical. Color to be white.



Finger-tighten fastening nuts.



Using wrench, tighten until lower portion shears off.



STA-TITE[®], COMMERCIAL FASTENING SYSTEM[™], ONE-PIECE INTEGRATED NUT AND WASHER



EXTERNAL CHECK HINGE WITH 300 SERIES STAINLESS STEEL BOLTS



ADDITIONAL 3" OF HEIGHT