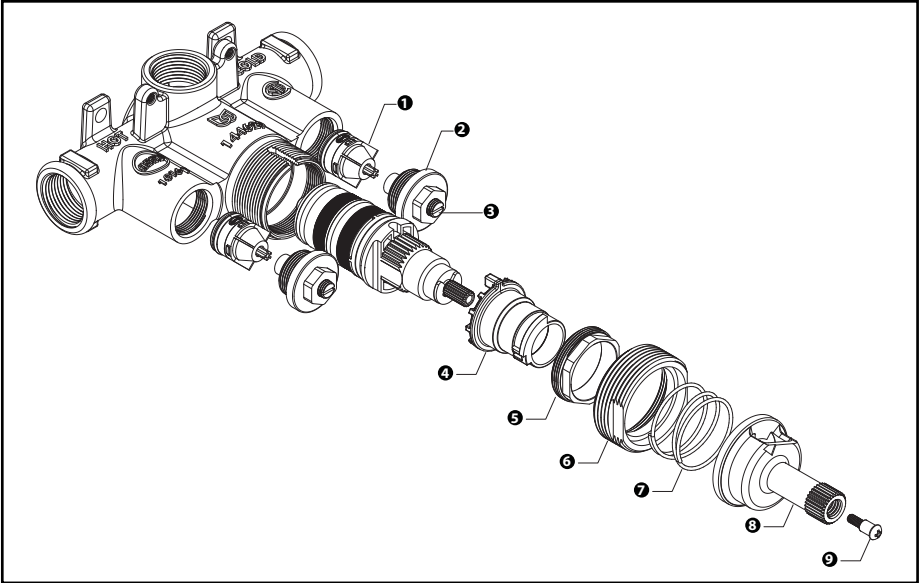


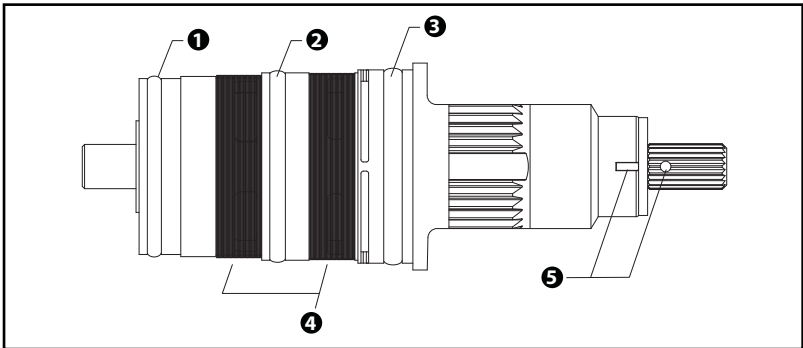
EXPLODED VALVE DIAGRAM



- | | |
|---------------------------|-----------------------|
| 1. Check Valve | 6. Handle Adapter Nut |
| 2. Stop Body | 7. Spring |
| 3. Stop Stem | 8. Stem |
| 4. Temperature Limit Stop | 9. Screw |
| 5. Cartridge Nut | |

★ For service kit numbers refer to moen.com

CARTRIDGE DIAGRAM



- | | |
|------------------|--|
| 1. Bottom O-Ring | 5. Pre-Set Temperature Alignment Markings (105°) |
| 2. Middle O-Ring | |
| 3. Top O-Ring | |
| 4. Screens | |