



Buy it for looks. Buy it for life.®

There is more than 1 version of this model.  
Page down to identify the version you have.

**DESCRIPTION**

- Duralock™ quick connect installation
- Metal construction with various finishes identified by suffix
- 1/2" IPS connections
- Includes metal pop-up waste assembly

**OPERATION**

- Cross and lever style handles
- Maximum handle rotation angle is 90° to full on for either handle
- Hot side counterclockwise to open (clockwise to close)
- Cold side clockwise to open (counterclockwise to close)


**FLOW**

- Water usage is limited to these maximum flow rates as indicated by the corresponding product markings
  - 1.2 gpm max (4.5L/min) at 60 psi
  - 1.5 gpm max (5.7L/min) at 60 psi

**CARTRIDGE**

- 1234™ Duralast™ cartridge
- Nonmetallic, nonferrous and stainless steel material

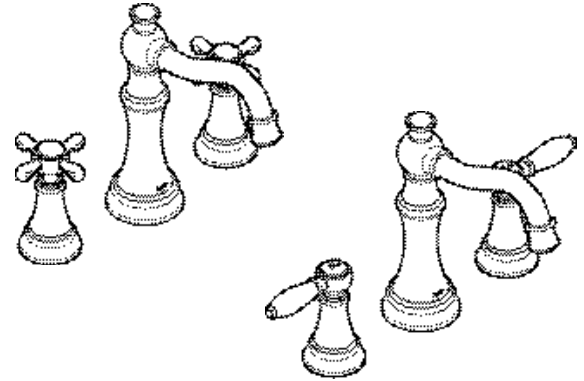
**STANDARDS**

- Third party certified to WaterSense®, ASME A112.18.1/CSA B125.1, and all applicable requirements referenced therein including NSF61/9 & 372
- Products marked with 1.2 gpm are compliant with California water efficiency regulations
- Complies with California Proposition 65 and with the Federal Safe Drinking Water Act
- **ADA**  for lever handles

**WARRANTY**

- Lifetime limited warranty against leaks, drips and finish defects to the original consumer purchaser
- 5 year warranty if used in commercial installations

# Specifications



## WEYMOUTH™

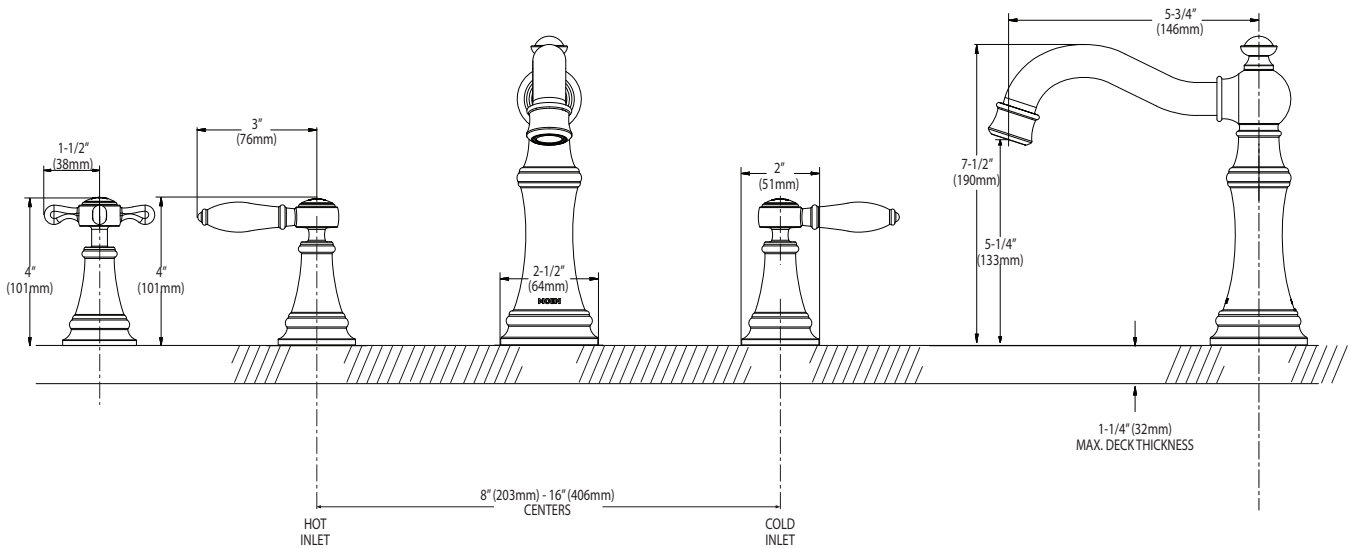
### Two-Handle Widespread Lavatory Faucet

**Models:** TS42114 series (cross handle)  
TS42108 series (lever handle)

**Valves:** 9000, 69000

**NOTE:** THIS FAUCET IS DESIGNED TO BE  
INSTALLED THRU 3 HOLES, 1-1/8" MIN. DIA.

**NOTE:** FOR DECK THICKNESS 1-1/2" to 3", USE SERVICE KIT  
#175709. VALVES INSTALL THROUGH 1-1/4" DIA. HOLE.



## CRITICAL DIMENSIONS

(DO NOT SCALE)

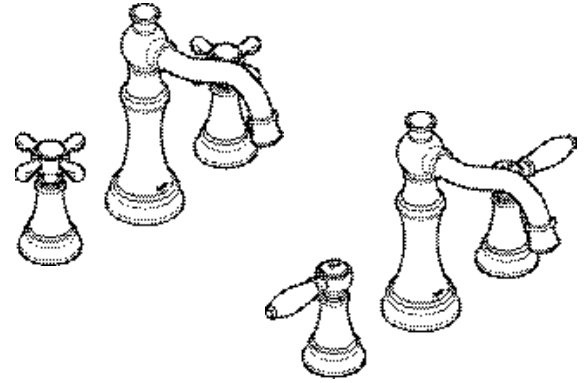
FOR MORE INFORMATION CALL: 1-800-BUY-MOEN

www.moen.com



Buy it for looks. Buy it for life.®

# Specifications



## WEYMOUTH™

### Two-Handle Widespread Lavatory Faucet

**Models:** TS42114 series (cross handle)  
TS42108 series (lever handle)

**Valves:** 9000, 69000

**NOTE:** THIS FAUCET IS DESIGNED TO BE  
INSTALLED THRU 3 HOLES, 1-1/8" MIN. DIA.

**NOTE:** FOR DECK THICKNESS 1-1/2" to 3", USE SERVICE KIT  
#115001. VALVES INSTALL THROUGH 1-1/4" DIA. HOLE.



#### DESCRIPTION

- Quick connect installation
- Metal construction with various finishes identified by suffix
- 1/2" IPS connections
- Includes metal pop-up waste assembly

#### OPERATION

- Cross and lever style handles
- Maximum handle rotation angle is 90° to full on for either handle
- Hot side counterclockwise to open (clockwise to close)
- Cold side clockwise to open (counterclockwise to close)


#### FLOW

- Flow is limited to 1.5 gpm max (5.7L/min) at 60 psi

#### CARTRIDGE

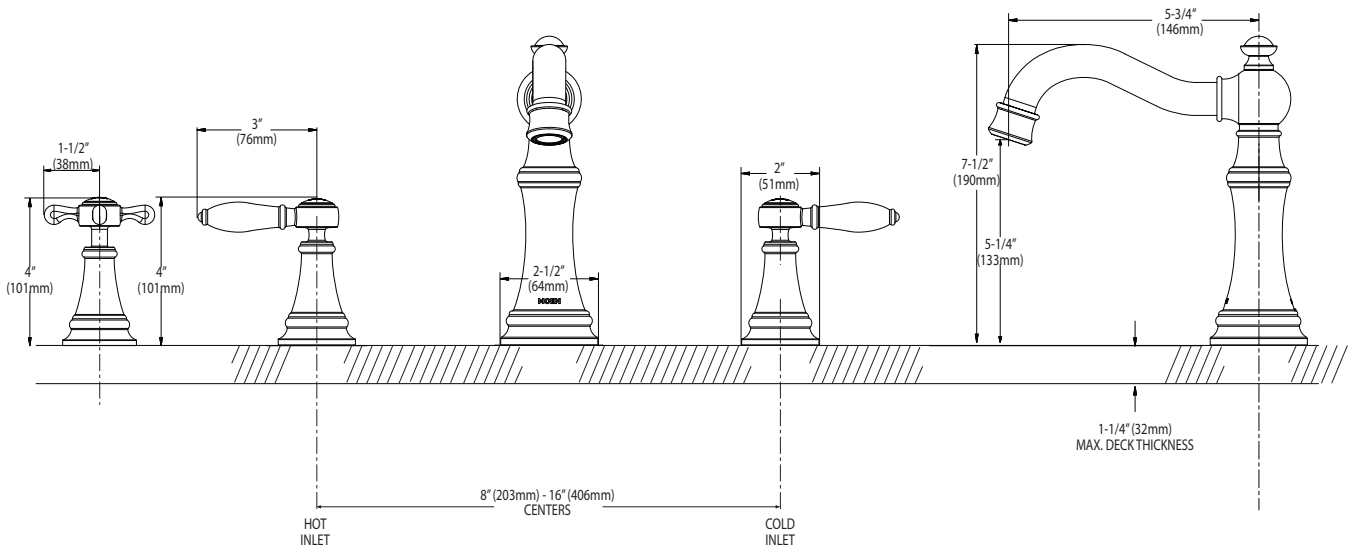
- 1224 cartridge design
- Nonmetallic and stainless steel material

#### STANDARDS

- Third party certified to WaterSense®, ASME A112.18.1/CSA B125.1, and all applicable requirements referenced therein including NSF61/9 & 372
- Complies with California Proposition 65 and with the Federal Safe Drinking Water Act
- **ADA**  for lever handles

#### WARRANTY

- Lifetime limited warranty against leaks, drips and finish defects to the original consumer purchaser
- 5 year warranty if used in commercial installations



## CRITICAL DIMENSIONS

(DO NOT SCALE)

FOR MORE INFORMATION CALL: 1-800-BUY-MOEN

www.moen.com