

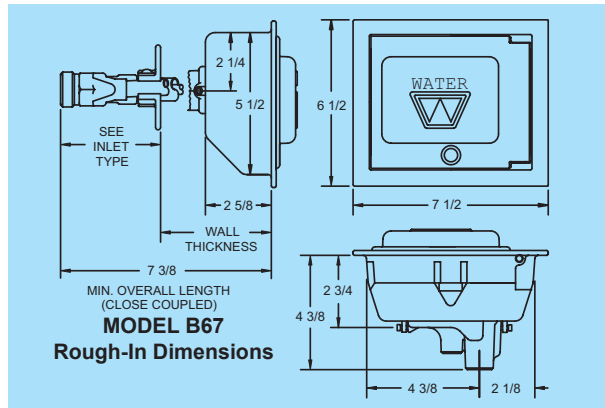
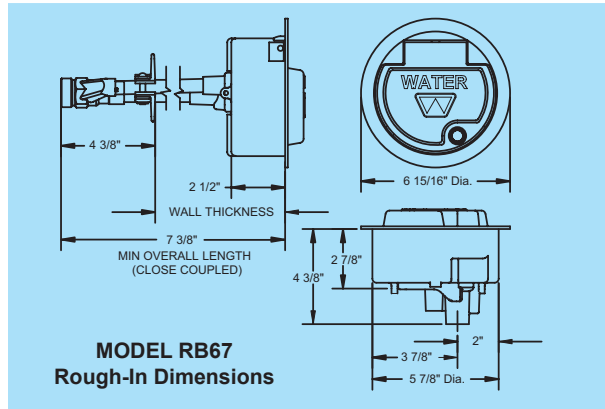
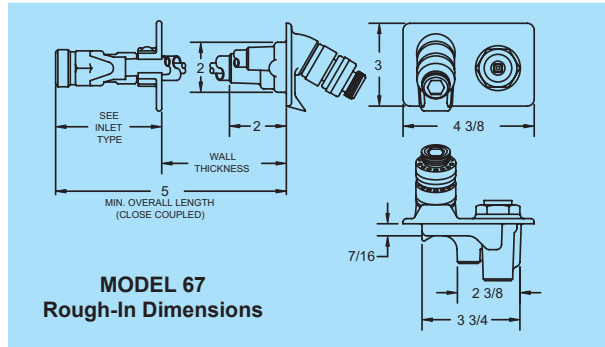
MODEL 67/B67/RB67 PARTS LIST

ITEM	PART #	DESCRIPTION
1	50009	Tee Key
	50010	Long Tee Key (Box Models)
2	50264	Head Nut – chrome
	50265	Head Nut – brass
3	50584	I.D. RING
4	50252	Stem Washer
5	55062	Stem Screw
6	50251	“C” washer
7	51014	Yoke Nut
8	Operating Rod (Sold With Item 10 Only)	
9	50250	Plunger
10	554XX	Operating Rod Assembly (Includes Items 7,8,9) (Select required assembled length from table below)
11	37HA-CH	37HA Backflow Preventer – chrome
	37HA-BR	37HA Backflow Preventer – brass
12	55063	Wall Clamp Assembly
13	67BX	Box/Door Assembly – Chrome
	67BX-BR	Box/Door Assembly - Brass
	67BX-PB	Box/Door Assembly – Polished Brass
	67BX-AL	Box/Door Assembly – Aluminum
14	RB67BX	Round Box/Door Assembly - Chrome
	RK-65	Chrome Repair Kit (Includes Items 1-7 & 9)
15	51117	Door Lock Screw - Chrome
	51116	Door Lock Screw - Brass
16	51120	E-Ring

Operating Rod Assy. “A”

Wall Thickness	Length	Part No.
67	B67/RB67	
CC	CC	3 1/2" 55401
N/A	4	4 1/2" 55402
4	6	6 1/2" 55404
6	8	8 1/2" 55406
8	10	10 1/2" 55408
10	12	12 1/2" 55410
12	14	14 1/2" 55412
14	16	16 1/2" 55414
16	18	18 1/2" 55416
18	20	20 1/2" 55418
20	22	22 1/2" 55420
22	24	24 1/2" 55422
24	N/A	26 1/2" 55424

Manufactured under one or more of the following patents:
 U.S. Patents:
 3,414,001
 4,178,956
 4,316,481
 4,532,954
 D216,790
 D216,791
 D277,365
 D277,366
 Canada Patents:
 852,529
 865,995
 1,146,438



Wall Thickness (Inch)	CC	4	6	8	10	12	14	16	18	20	22	24
Overall Length - Hydrant	5	8	10	12	14	16	18	20	22	24	26	28
Overall Length - Box Models	7 3/8	8 3/8	10 3/8	12 3/8	14 3/8	16 3/8	18 3/8	20 3/8	22 3/8	24 3/8	26 3/8	28 3/8
Shipping Wt. (Lbs)**	3.8	4.4	4.8	5.2	5.6	6	6.4	6.8	7.2	7.6	8	8.4

** Add 8.3 Lbs. for brass box models.

** Add 2.5 Lbs. for aluminum box models.

NOTE: Close Coupled Models are not recommended for use in freezing climates and cannot use wall clamp.

For more information contact...

WOODFORD MANUFACTURING COMPANY

2121 Waynoka Road, Colorado Springs, Colorado 80915 • Phone: (800) 621-6032 • Fax: (800) 765-4115

To view our complete product line visit: www.woodfordmfg.com or email: sales@woodfordmfg.com

A Division Of WCM Industries, Inc.