

This unit provides no anti-siphon or backflow protection.



Freezeless Wall Hydrants Model 70

The Model 70 is a frost proof wall hydrant with recessed head. The hydrant is designed for irrigation purposes to blend with modern architecture for installation on schools, office buildings, churches, apartments, motels, stores, shopping centers and industrial buildings.

SPECIFICATIONS:

VALVE SEAT – Permanent type brass valve body with hemispherical seating surface.

STEM – Hardened stainless steel stem resists damage.

PACKING – EPDM rubber with adjustable packing nut.

OPERATING ROD – 3/8" solid brass

OPERATION – Tamper resistant removable tee key.

CASING – 1" galvanized steel pipe

HOSE NOZZLE – 3/4" male hose thread
Optional 1" hose thread

INLETS – As shown at right.

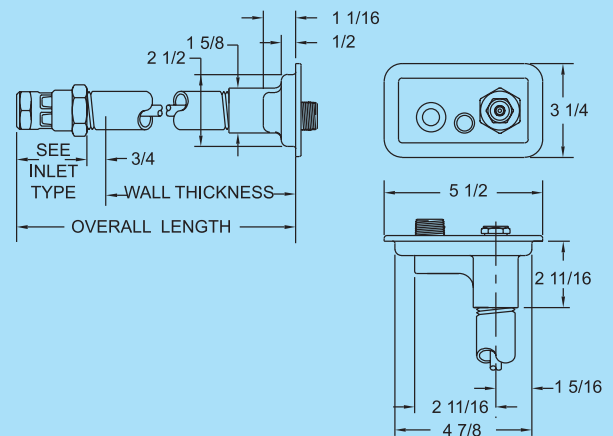
MAX PRESSURE – 125 p.s.i.

MAX TEMPERATURE - 120° F

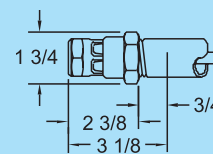


Model 70

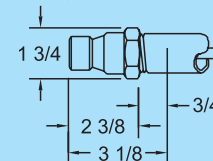
Rough-In Dimensions



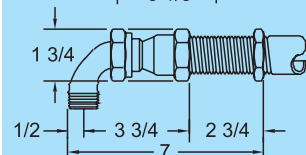
Inlet Descriptions



Model 70P
3/4" Female Pipe Thread



Model 70C
3/4" Copper Sweat Fitting



Model 70EPL
Union Elbow with 3/4" Male
Pipe Thread and Lock Nut
with 2" Adjustment

**For Installation / Troubleshooting Instructions go to
www.woodfordmfg.com or call 1-800-621-6032**

Specify as follows:

Wall hydrant shall be recessed type Woodford Model 70. 3/4" hose thread nozzle. Hardened stainless steel operating stem. Packing nut secured with lock nut. Permanent type valve body with large hemispherical seating surface. Exterior finish to be Chrome Plated (options: Polished Brass or Rough Brass). Loose tee key to be furnished with each hydrant. Wall thickness to be _____ inches.

When ordering, specify model number, inlet and finish.