

Item No.:	_____	Qty. _____
Model No.:	_____	
Project No.:	_____	



Specifications

12" Economy Series Sink, with three compartments, right drainboard, 9" backsplash, 18 gauge, 300 series stainless steel top and bowl, galvanized legs & adjustable feet, raised 1-1/2" rolled edge, includes 3-1/2" basket strainer, NSF approved

Features

- 18 Ga. stainless steel
- Welded construction for consistent metal gauge thickness throughout
- 12" (304.8 mm) deep tub with 3/4" (19.1 mm) coved radius tub corners
- Drainboard is die stamped for positive drainage
- 9" (228.6 mm) backsplash with tile ledge for easy installation
- Raised 1-1/2" (38.1 mm) diameter rolled edge
- 3-1/2" (88.9 mm) drain with basket strainers included
- 1-5/8" (41.3 mm) galvanized legs with 1" (25.4 mm) adjustable plastic feet
- 2" (50.8 mm) divider between each tub

Flyer Product

In keeping with our policy of continuing product improvement, Elkay SSP reserves the right to change product specifications without notice.

12" Economy Series Sinks

12" Deep Economy Series Three Compartment Stainless Steel Sinks

- E3C16X20-R-18X**
- E3C20X20-R-20X**
- E3C24X24-R-24X***

Options

- Faucets
- Tub Accessories
- Undershelves
- Rotary Drain Options
- H-Frame Stainless Steel Legs
- Stainless Steel Feet Options (bullet & flange styles)

Materials

- Sink & Bowl: 18 Ga. 300 series stainless steel
- Top: Drainboard and backsplash are 18 gauge 300 series stainless steel.
- Legs: All sinks furnished with 1-5/8" (41.3 mm) diameter heavy gauge galvanized tubing with plated galvanized leg gussets and high impact corrosion resistant fully adjustable 1" (25.4 mm) feet.

Mechanical

- 1-1/8" (28.6mm) faucet holes on 8" (203.2mm) centers
- 3-1/2" (88.9mm) waste drain opening



AUTOQUOTES



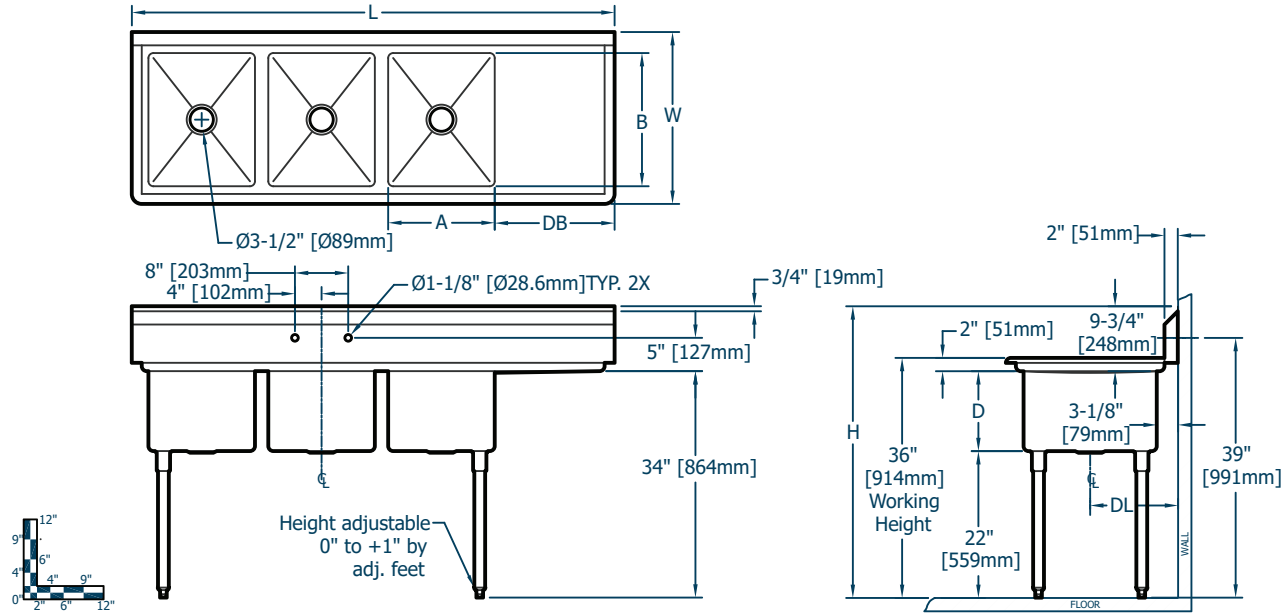
This specification describes an Elkay SSP product with design, quality and functional benefits to the user. When making a comparison of other producers' offerings, be certain these features are not overlooked.



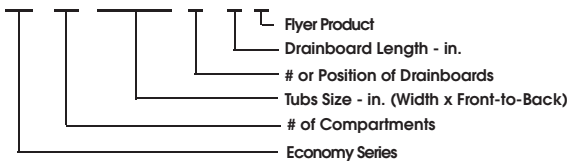
Item No.: _____ Qty. _____
 Model No.: _____
 Project No.: _____

12" Economy Series Sinks

12" Deep Economy Series Three Compartment Stainless Steel Sinks



Economy Series Sinks																			
Model Number	Width		Front-to-Back		Depth		Length		Width		Height		Location	Size		Location		α D t h	
	A	mm	B	mm	D	L	W	H	B	D	DL	lbs.		kg					
E 3C 16 X 20 R 18 X	16	406	20	508	12	305	72.5	1842	25.8	656	43.8	1111	Right	18	457	13	330	91	41
E 3C 20 X 20 R 20 X	20	508	20	508	12	305	86.5	2197	25.8	656	43.8	1111	Right	20	508	13	330	103	46
E 3C 24 X 24 R 24 X*	24	610	24	610	12	305	102.5	2604	29.8	757	43.8	1111	Right	24	610	15	381	95	43



*This model includes two sets of faucet holes.

Elkay SSP
 421 N. Freya St.
 Spokane, WA 99205
 Phone: 800-726-0553 Fax: 509-535-1493

Website: www.sspinc.net
 Email: sspsales@elkay.com
 ©2011 SSP INC.