

### PRODUCT SPECIFICATIONS

Dayton Stainless Steel 20" x 20" x 10-1/8", Single Bowl Drop-in Laundry Sink. Sink is manufactured from 20 gauge 304 Stainless Steel with a Premium Highlighted Satin finish, Center drain placement, and Bottom only pads.

|                              |                                                                  |
|------------------------------|------------------------------------------------------------------|
| <b>Installation Type:</b>    | Drop-in                                                          |
| <b>Material:</b>             | 304 Stainless Steel                                              |
| <b>Finish:</b>               | Premium Highlighted Satin                                        |
| <b>Gauge:</b>                | 20                                                               |
| <b>Sound Deadening:</b>      | Bottom only pads                                                 |
| <b>Number of Bowls:</b>      | 1                                                                |
| <b>Sink Dimensions:</b>      | 20" x 20" x 10-1/8"                                              |
| <b>Bowl 1 Dimensions:</b>    | 15-3/4" x 14" x 10"                                              |
| <b>Drain Size:</b>           | 3-1/2" (89mm)                                                    |
| <b>Drain Location:</b>       | Center                                                           |
| <b>Minimum Cabinet Size:</b> | 24"                                                              |
| <b>Mounting Hardware:</b>    | Part # 64090012 included for countertops up to 3/4" (19mm) thick |
| <b>Cutout Template #:</b>    | <a href="#">1000000869</a>                                       |

Template is available for download at [elkay.com](http://elkay.com). CAD software will be required to open the template.

#### Cutout Dimensions for Drop-in Installation:

19-3/8" x 19-3/8" (492mm x 492mm) with 1-1/2" (38mm) corner radius



**AMERICAN PRIDE. A LIFETIME TRADITION.**  
Like your family, the Elkay family has values and traditions that endure. For almost a century, Elkay has been a family-owned and operated company, providing thousands of jobs that support our families and communities.



**Product Compliance:** ASME A112.19.3/CSA B45.4  
BUY AMERICAN ACT

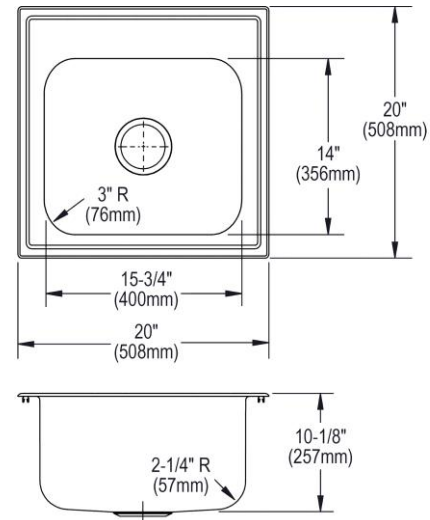
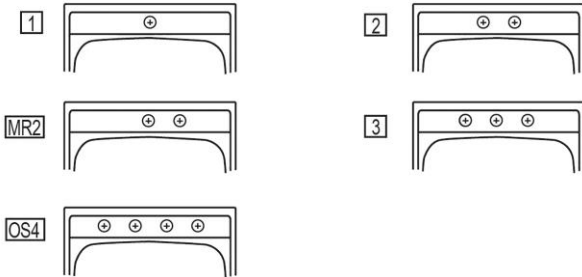


Sinks are listed by IAPMO<sup>®</sup> as meeting the applicable requirements of the Uniform Plumbing Code<sup>®</sup>, International Plumbing Code<sup>®</sup>, and National Plumbing Code of Canada.

[Clean and Care Manual \(PDF\)](#)  
[Installation Instructions \(PDF\)](#)  
[Warranty \(PDF\)](#)

#### Hole Drilling Configurations:

1-1/2" (38mm) Diameter Faucet Holes on 4" (102mm) Centers



PART: \_\_\_\_\_ QTY: \_\_\_\_\_

PROJECT: \_\_\_\_\_

CONTACT: \_\_\_\_\_

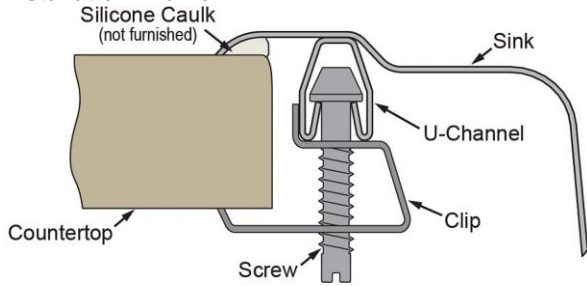
DATE: \_\_\_\_\_

NOTES: \_\_\_\_\_

APPROVAL: \_\_\_\_\_

In keeping with our policy of continuing product improvement, Elkay reserves the right to change product specifications without notice. Please visit [elkay.com](http://elkay.com) for the most current version of Elkay product specification sheets. This specification describes an Elkay product with design, quality, and functional benefits to the user. When making a comparison of other producers' offerings, be certain these features are not overlooked.

**Installation Profile:**



**OPTIONAL ACCESSORIES**

|                        |              |
|------------------------|--------------|
| <b>Bottom Grid:</b>    | GBG1415SS    |
| <b>Cutting Board:</b>  | CB1516       |
| <b>Drain:</b>          | D1125        |
| <b>Hardware:</b>       | LK364, LK463 |
| <b>Rinsing Basket:</b> | LKWRB1316SS  |

*In keeping with our policy of continuing product improvement, Elkay reserves the right to change product specifications without notice. Please visit [elkay.com](http://elkay.com) for the most current version of Elkay product specification sheets. This specification describes an Elkay product with design, quality, and functional benefits to the user. When making a comparison of other producers' offerings, be certain these features are not overlooked.*