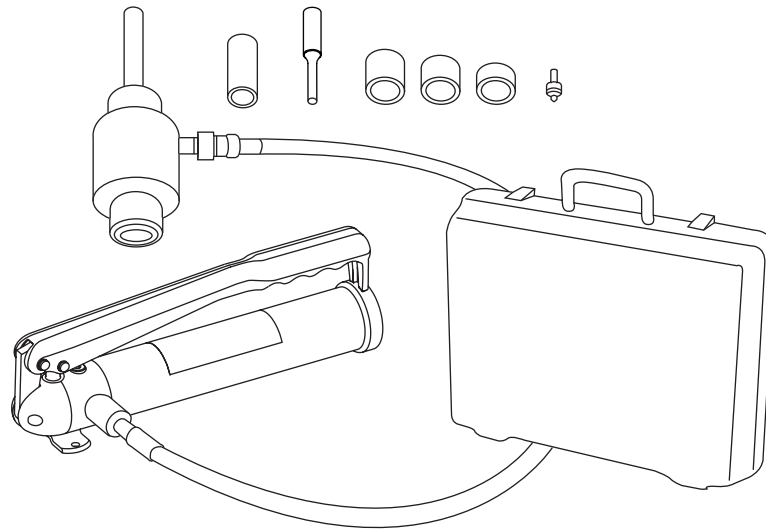


INSTRUCTION MANUAL



Hydraulic Punch Driver **38456, 38520, 7306/7306SB,** **7310/7310SB, 7506, 7606SB, 7610SB,** **7625/7625Pg/7625PgSB,** **7646/7646Pg/7646PgSB**

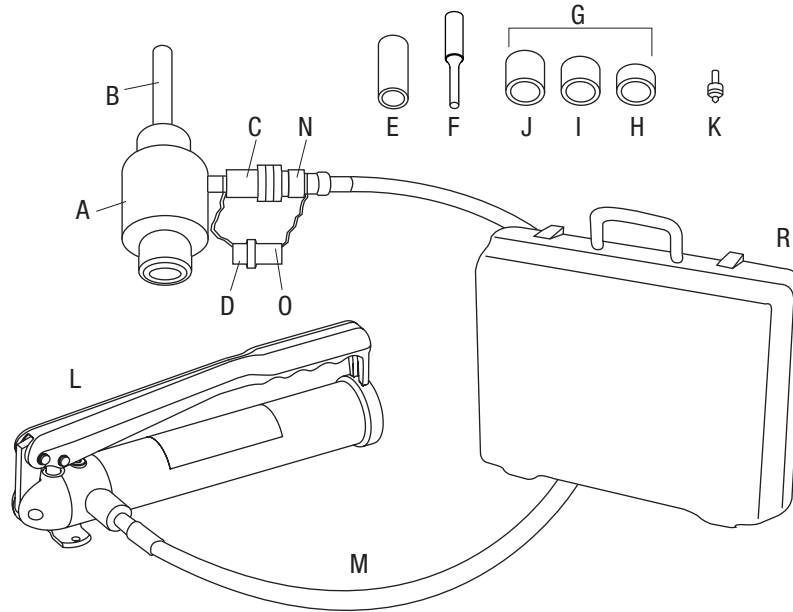


Read and understand all of the instructions and safety information in this manual before operating or servicing this tool.

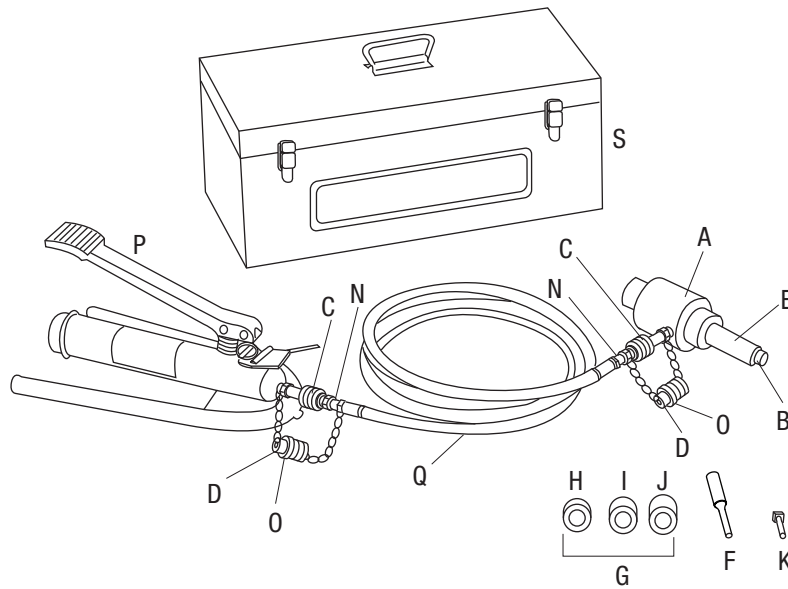
Register this product at www.greenlee.com

Illustration—Punch Driver

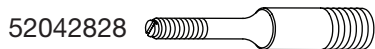
7646 Hydraulic Punch Driver with 767 Hand Pump



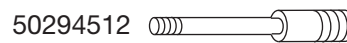
7625 Hydraulic Punch Driver with 1725 Foot Pump



For punching mild steel, 3/8" drive:



For punching stainless steel:



(for use with Slug-Splitter punches and dies)

Parts List—Punch Driver

| Key | Cat. No. | UPC No. 78-3310- | Description | 7646 | 7306SB | 7306 | 7310SB | 38520 | 7310 | 38456 | 7625 | 7606SB | 7610SB | 7304 | 7506 |
|-----|----------|---------------------|---|------|--------|------|--------|-------|------|-------|------|--------|--------|------|------|
| A | 746 | 17091 | Ram (includes keys B, C, D) | 1 | 1 | 1 | 1 | 1 | 1 | 1 | 1 | 1 | 1 | | |
| | 746SS | 30387 | Ram (includes keys C, D and 29452) | | | | | | | | | | | | 1 |
| | 29451 | 29451 | 7/16" Stainless Steel Draw Stud | | | | | | | | | | | | 1 |
| | 29452 | 29452 | 3/4" Stainless Steel Draw Stud | | | | | | | | | | | | 1 |
| B | 2113B | 10109 | 3/4" Piston Shaft | 1 | 1 | 1 | 1 | 1 | 1 | 1 | 1 | 1 | 1 | | |
| C | 54167 | 54167 | 1/4" Coupler Unit | 1 | 1 | 1 | 1 | 1 | 1 | 1 | 2 | 2 | 2 | | 1 |
| D | 54168 | 54168 | Dust Plug | 1 | 1 | 1 | 1 | 1 | 1 | 1 | 2 | 2 | 2 | | 1 |
| E | 1557AA | 03170 | Screw Sleeve | 1 | 1 | 1 | 1 | 1 | 1 | 1 | 1 | 1 | 1 | | |
| F | 20963 | 20963 | 3/8" Adapter Draw Stud (3/4-16 x 3/8-24) | 1 | 1 | 1 | 1 | 1 | 1 | 1 | 1 | 1 | 1 | | |
| G | 15908 | 15908 | Spacer Group (includes keys H, I, J) | 1 | 1 | 1 | 1 | 1 | 1 | 1 | 1 | 1 | 1 | | 1 |
| H | 1924AA | 03248 | Short Spacer | 1 | 1 | 1 | 1 | 1 | 1 | 1 | 1 | 1 | 1 | | 1 |
| I | 1925AA | 03249 | Medium Spacer | 1 | 1 | 1 | 1 | 1 | 1 | 1 | 1 | 1 | 1 | | 1 |
| J | 1926AA | 06904 | Long Spacer | 1 | 1 | 1 | 1 | 1 | 1 | 1 | 1 | 1 | 1 | | 1 |
| K | 34410 | 34410 | Kwik-Stepper® Pilot Bit | 1 | 1 | 1 | 1 | 1 | 1 | 1 | 1 | 1 | 1 | | 1 |
| L | 767 | 13284 | Hydraulic Hand Pump | 1 | 1 | 1 | 1 | 1 | 1 | 1 | | | | | 1 |
| M | 38316 | 38316 | 1/4" x 3' High-Pressure Hose Unit (includes keys N, O) | 1 | 1 | 1 | 1 | 1 | 1 | 1 | | | | | 1 |
| N | 54169 | 54169 | 1/4" Coupler Unit | 1 | 1 | 1 | 1 | 1 | 1 | 1 | 2 | 2 | 2 | | 1 |
| O | 54170 | 54170 | Dust Cap | 1 | 1 | 1 | 1 | 1 | 1 | 1 | 2 | 2 | 2 | | 1 |
| | 06302 | 06302 | 1/4" x 3' High-Pressure Hose with Swivel (without couplers) | 1 | 1 | 1 | 1 | 1 | 1 | 1 | | | | | 1 |
| P | 1725 | 31353 | Hydraulic Foot Pump (includes keys C, D) | | | | | | | | 1 | 1 | 1 | | |
| Q | 37729 | 37729 | 1/4" x 10' High Pressure Hose Unit (includes two each of keys N, O) | | | | | | | | 1 | 1 | 1 | | |
| | 52515 | 52515 | 1/4" x 10' High Pressure Hose Replacement (without couplers) | | | | | | | | | | | | |
| R | 30206 | 30206 | Plastic Carrying Case, 1/2"-2" Conduit | 1 | 1 | 1 | | | | | | | | | |
| R | 05387 | 05387 | Plastic Carrying Case, 1/2"-4" Conduit | | | | 1 | 1 | 1 | 1 | | | | | |
| S | 23955 | 23955 | Metal Carrying Case | | | | | | | | 1 | 1 | 1 | | |
| | 30236 | 30236 | Plastic Carrying Case, 2-1/2"-4" Conduit | | | | | | | | | | | 1 | |
| | 31068 | 31068 | Metal Carrying Case | | | | | | | | | | | | 1 |