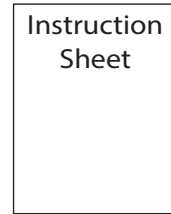
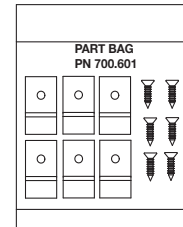
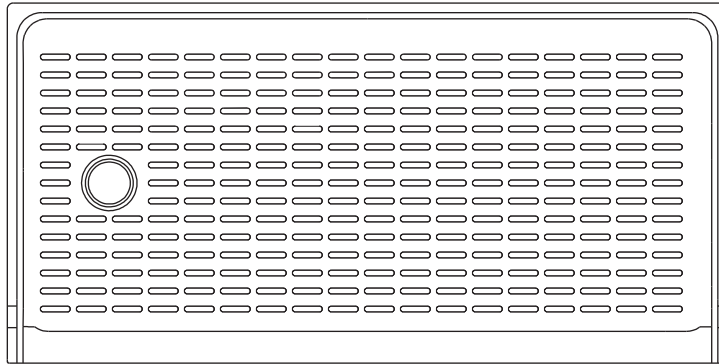




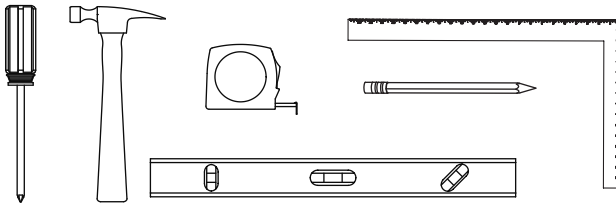
**Model: 360**

**BARRIER/FREE  
SHOWER FLOOR**

**READ ALL INSTRUCTIONS CAREFULLY AND INSPECT PRODUCT FOR DAMAGE BEFORE STARTING YOUR INSTALLATION  
INCLUDED IN CARTON:**



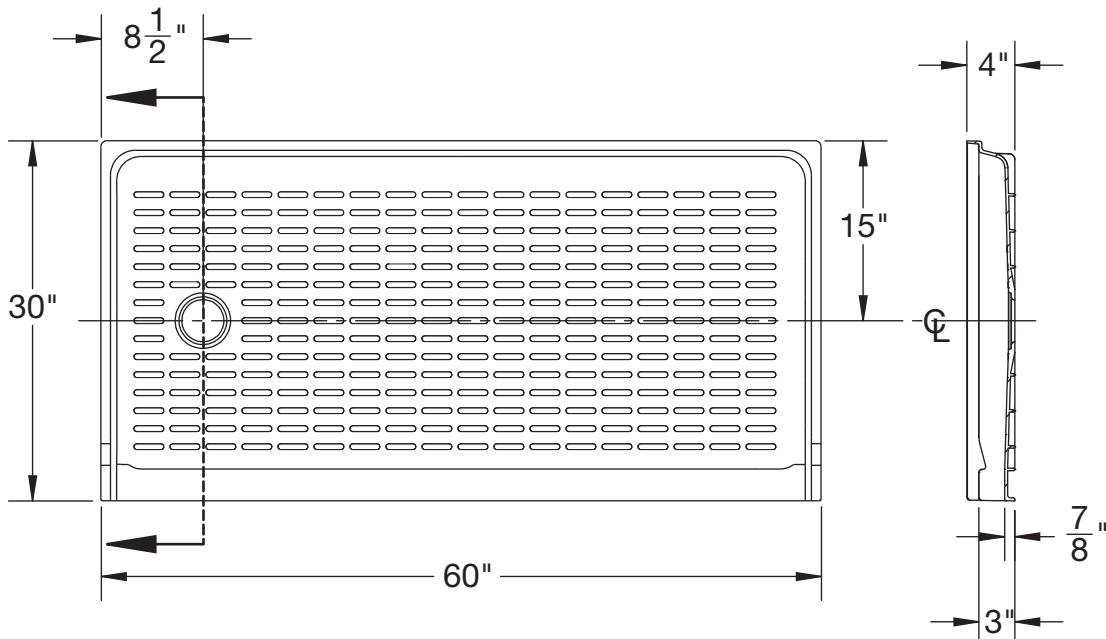
**TOOLS AND MATERIALS REQUIRED FOR INSTALLATION:**



Deck Screws 3/4" long minimum  
**OR**  
Roofing Nail 1" long

- Pad (Roof felt, Landscape fabric or House wrap)
- OPTIONAL: Mortar Cement  
Silicone Adhesive
- 1/4" Dowel Rod (For Drain Seal Installation)

**ROUGH-IN DIMENSIONS:**



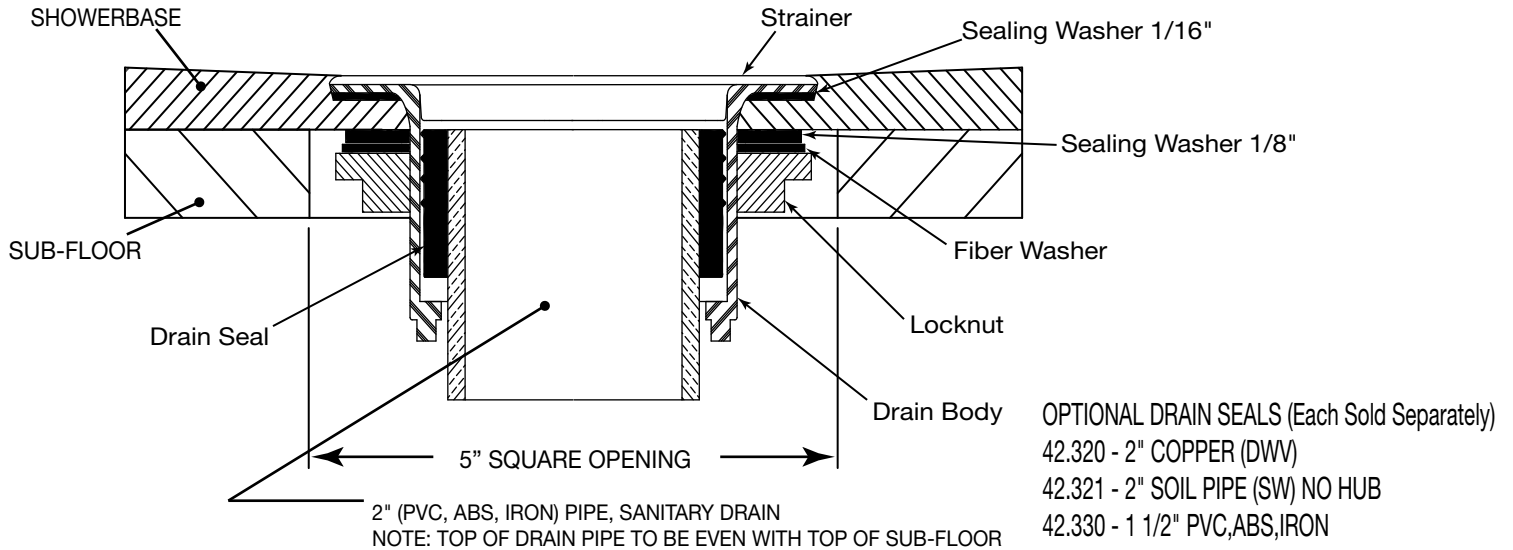
## DRAIN OPTIONS:

The size and style of the drain must be determined before installation of the Shower Floor can begin. The Shower Floor has two available drain options. Drain must be assembled to Shower Floor prior to installation.

### OPTION 1:

#### PN 42.317A DRAIN CONNECTION FOR 1 1/2" OR 2" PIPE

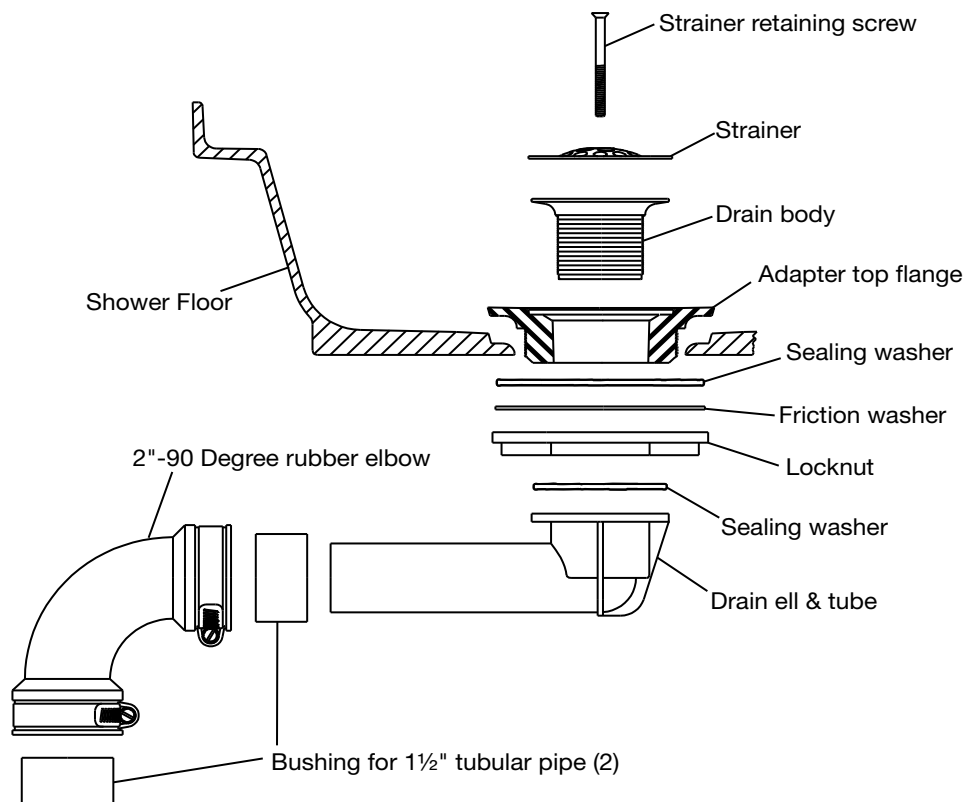
**CAUTION:** DO NOT use any putty or thread sealing compound under flange or on threads of drain body - failure and leakage may result!! DO NOT overtighten locknut - hand tighten, then wrench an additional 3/4 turn - maximum.



### OPTION 2:

#### PN 60.300A / 60.300ABN DRAIN CONNECTION FOR 1 1/2" OR 2" PIPE

*Replaces a standard bathtub drain*

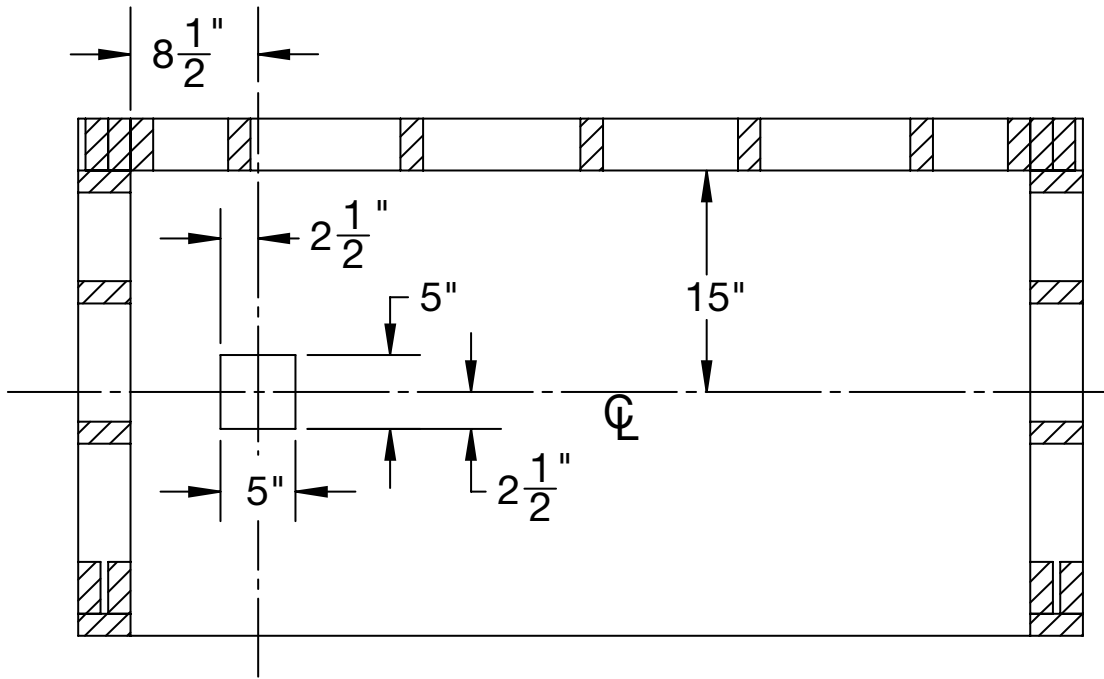


**ROUGH-IN DRAIN:**

**PN 42.317A DRAIN ASSEMBLY  
CUT-OUT DIMENSIONS**

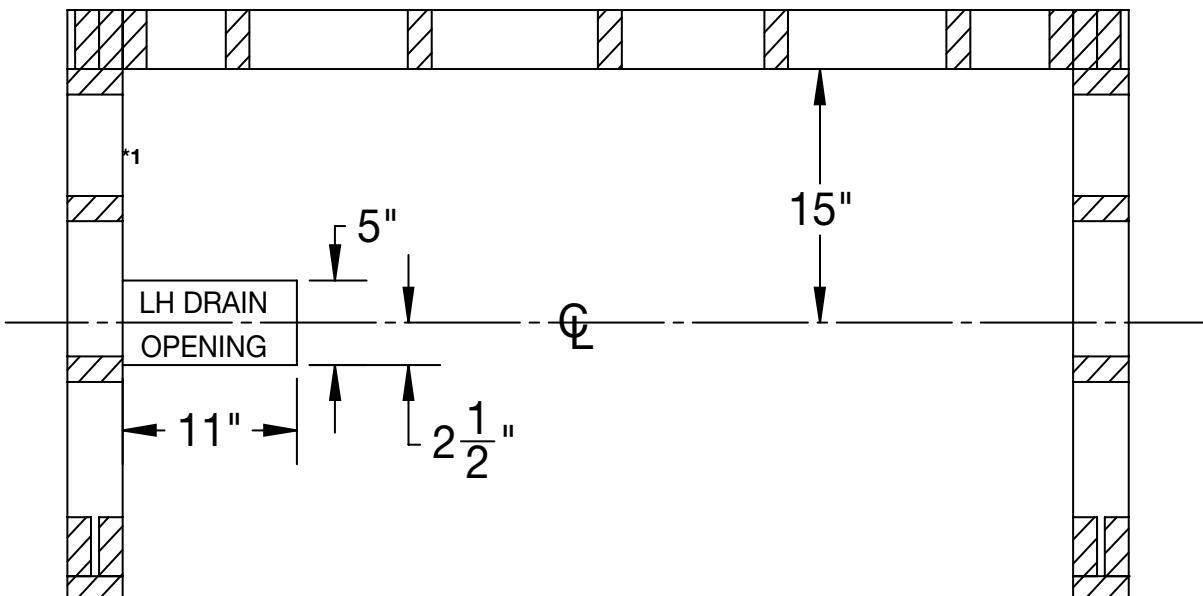
Drain connection requires 2" DWV pipe. Top of drain pipe must be even with top of sub-floor or slab.

Slab installation requires opening to be a minimum of 2 1/4" deep.



**PN 60.300A DRAIN ASSEMBLY  
CUT-OUT DIMENSIONS**

Drain connection replaces standard bathtub drain connection to 1 1/2" or 2" DWV pipe.



## PREPARATION:

Before installing the Shower Floor you will need to prepare the alcove area. Plan rough plumbing requirements (drain-venting-supply lines) at this time according to local building codes.

Additional bracing to support optional grab bars and or seat should be installed at this time. Refer to the accessory manufacturer's instructions for proper installation.

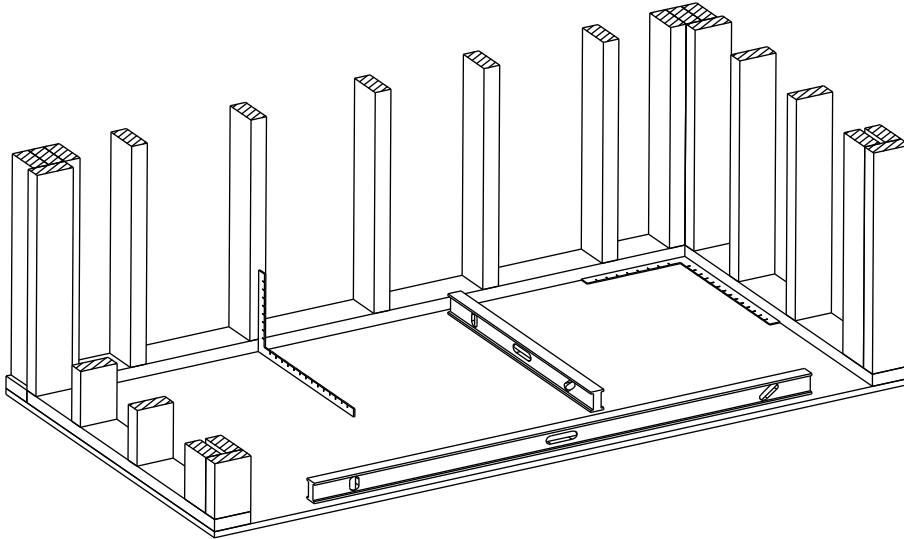
## INSTALLATION:

### STEP 1:

#### SUB-FLOOR PREPERATION

The Shower Floor must be installed on a sub-floor. A one-piece section of plywood or OSB the same thickness as the surrounding sub-floor must be securely fastened in position so Shower Floor is fully supported.

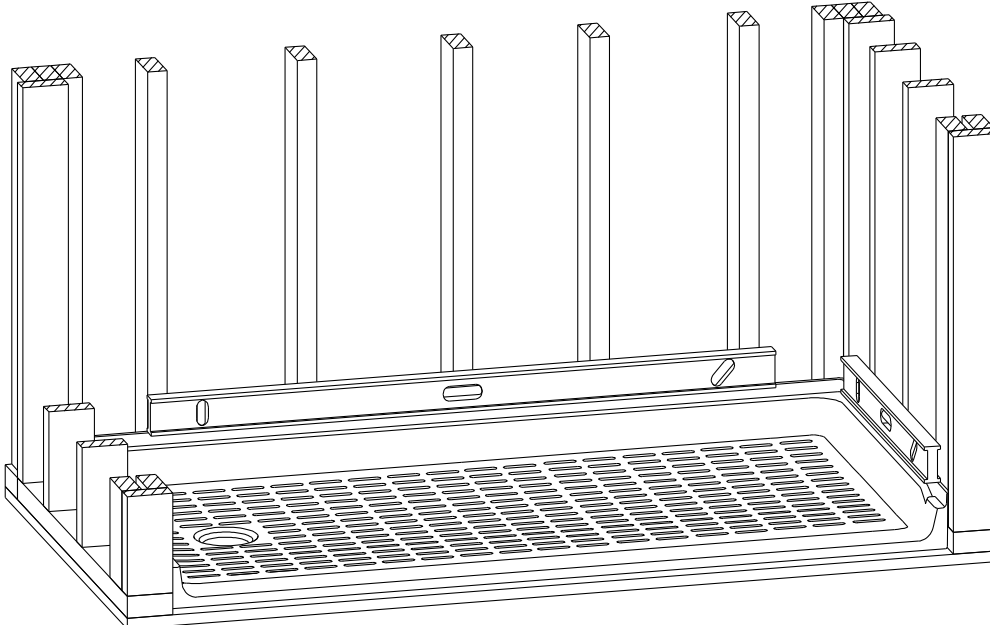
(Note: Use 2 1/2" deck screws to secure sub-floor).



Sub-floor must be level.  
Alcove plumb and square.

**NOTE: AN UNLEVEL SUB-FLOOR  
WILL CAUSE DRAINAGE  
ISSUES WITH YOUR  
SHOWER FLOOR.**

### STEP 2:



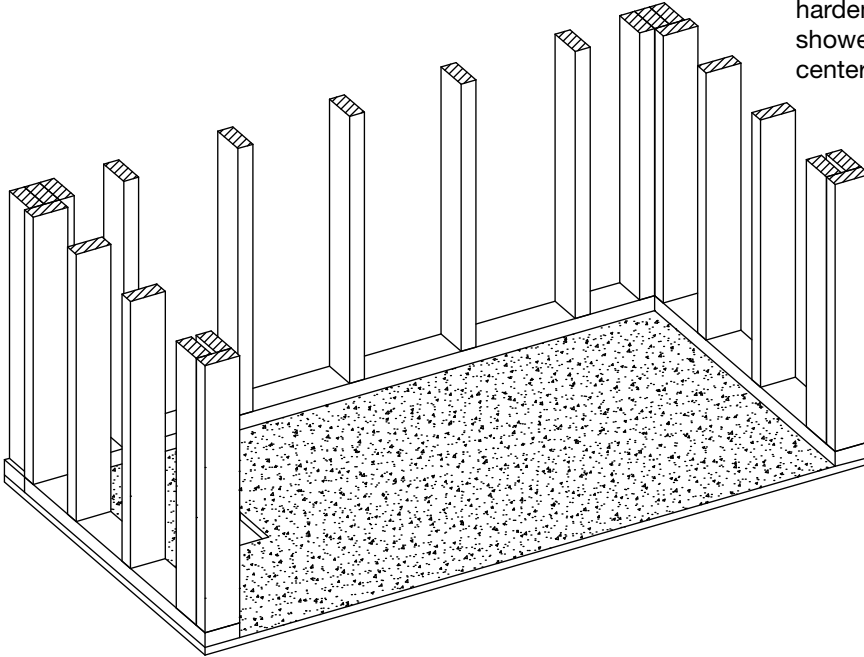
Set Shower Floor into alcove  
and check for level condition.  
Level should be placed on top  
of tile flange as shown.

### STEP 3:

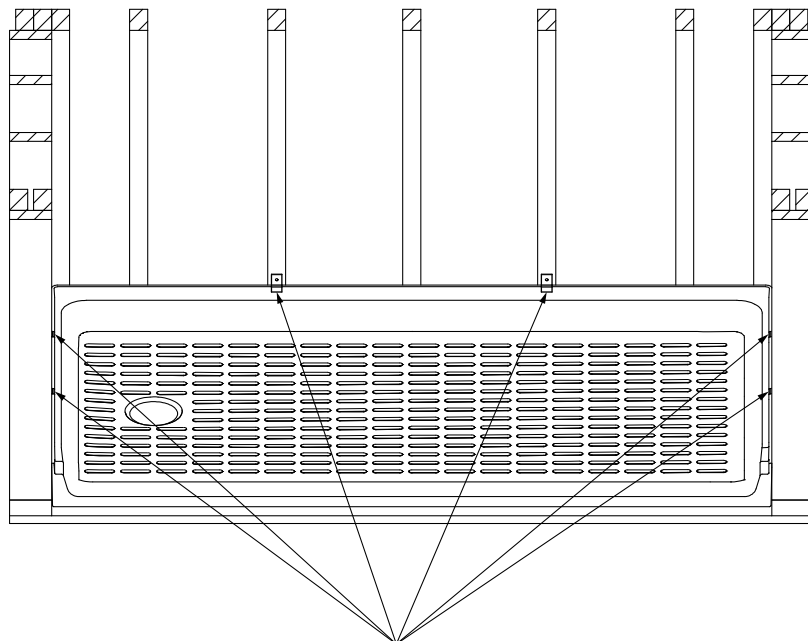
If Shower Floor is level, we recommend a pad (NOT SUPPLIED) be placed on sub-floor before final Shower Floor installation to avoid noise between the Shower Floor and the sub-floor. Pad material options are bonded landscape fabric, house wrap or roofing paper.

If out-of-level, two methods to compensate for the inconsistency in the sub-floor are as follows:

1. Minor Leveling - Apply adhesive to ribs on Shower Floor. Set Shower Floor in place, level and let adhesive harden. Follow adhesive manufacturer's instructions.
2. Major Leveling - Use a mortar mix. Spread a layer of mortar mix to level the alcove floor surface. Set Shower Floor in place, apply downward pressure, level and let mortar harden. (Only use enough mortar to level the shower floor as to much could raise the center of the unit causing drainage issues).



### STEP 4:

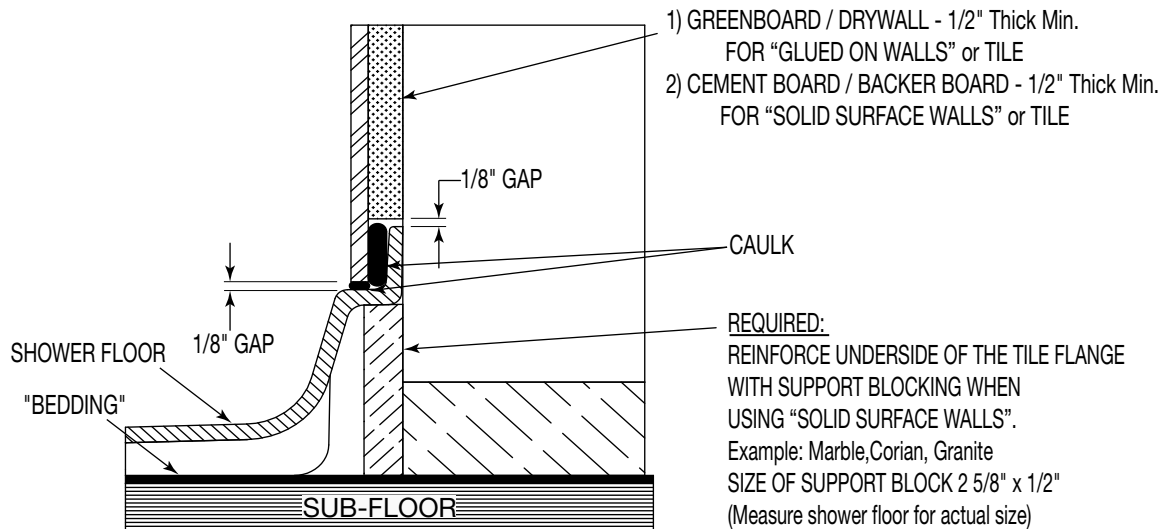


Set Shower Base back into alcove and check for level condition. Once Shower Base is in position secure the base to the studs using the 6 provided mounting clips and screws. 2 clips per side.

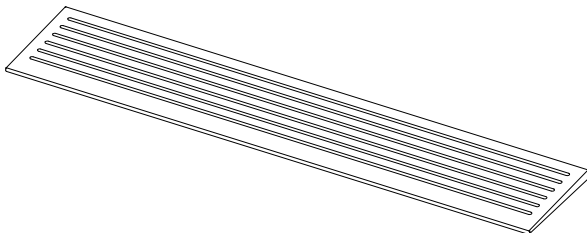
MOUNTING CLIPS  
(2 PER SIDE)  
STUD CENTERS

## TYPICAL WALL INSTALLATION

### TILE / SOLID SURFACE OR GLUED ON WALL PANEL INSTALLATION DETAILS

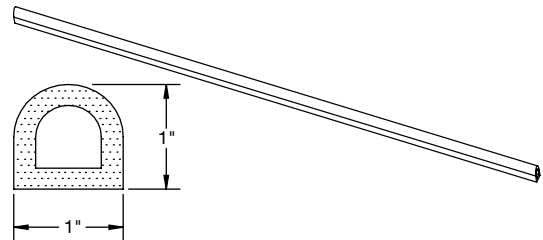


## OPTIONAL ACCESSORIES



PN 360.100.....ENTRY RAMP (WHITE)

PN 360.100BN...ENTRY RAMP (BONE)



PN 360.210...COLLAPSIBLE WATER BARRIER KIT

## CARE & CLEANING

The surface of your MUSTEE SHOWER FLOOR may be cleaned with a mild soap solution in warm water using a soft cloth. When using a cleaner product, carefully read the label to ensure that the cleaner is safe for use on the material. Stubborn stains can be cleaned using "Soft Scrub"® by Clorox® or a powdered detergent such as "Spic-n-Span"®. Do not allow cleaners to sit or soak on the surface. Wipe surface clean and rinse completely with water immediately after cleaner application. Rinse and dry any overspray on nearby surfaces. Never use abrasive scouring powder or steel wool pads, as they will scratch the surface.

## INSTALLATION QUESTIONS

Questions on the installation or missing parts, call 216-267-3100 or email [customerservice@mustee.com](mailto:customerservice@mustee.com) for assistance.

Please have the installation manual available when calling.

DO NOT RETURN PRODUCT TO THE PLACE OF PURCHASE.

As a company committed to continuous improvement, the specifications in this installation manual are subject to change without notice.



**MUSTEE**

Preferred by the "Pros"

SI-171 (10-22)

Patented and patents pending. Made and Printed in U.S.A.