

760025 SURFACE MOUNT KIT 25"

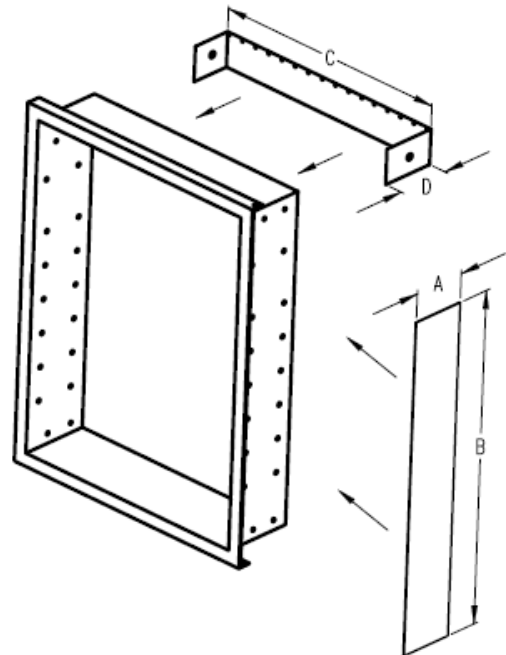


FEATURES/TYPICAL SPECIFICATIONS

- Surface Mount Installation
- Mounting Bracket
 - 14 gauge galvanized steel (2 typical)
- Plate Glass Mirror
 - 1/8" thick float glass mirror with polished edges, 4 sides (2 typical)
- 30 gauge polished stainless steel mirror retainers (4 typical)
- Includes mounting hardware
- Pallet Quantity = 54 units

Finishes:

Mirror: POL1-Polished Edge
Bracket: Galvanized Steel



		Dimensions In Inches			
Model #	Description	A	B	C	D
760025	SURFACE MOUNT KIT 25"	37/8	25	19-11/16	3-13/16

REFERENCE	QTY.	REMARKS	Project
			Location
			Architect
			Engineer
			Contractor
			Submitted by
			Date

* All models and material specifications are subject to change or withdrawal without notice.