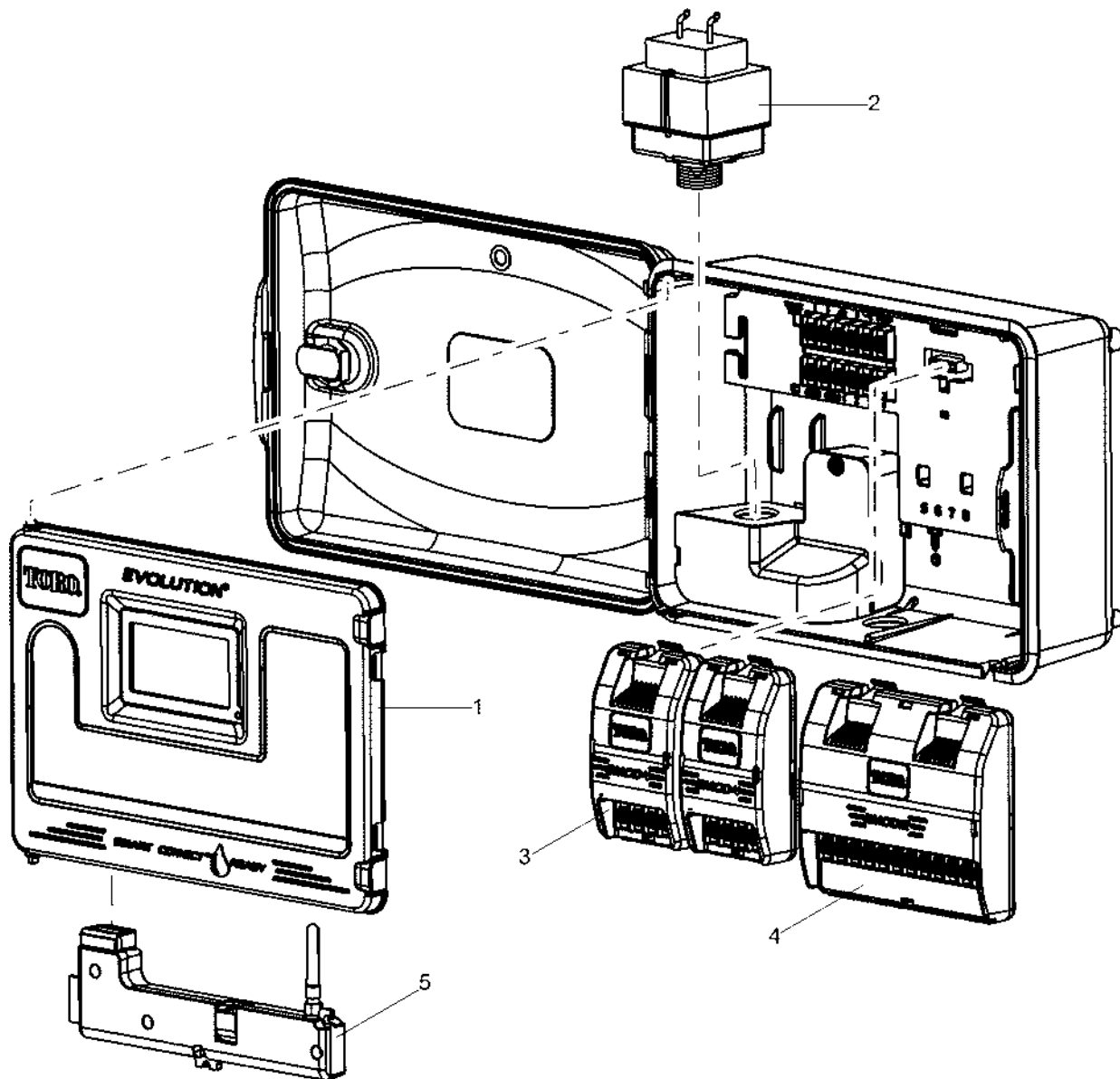


EVOLUTION Controller

Ref.	Part Number	Qty.	Description
1	118-3132	1	Timing Mechanism Module, Evolution
2	118-3130	1	Transformer, 120 Vac, Evolution
2	118-3131	1	Transformer, 220-240 Vac, Evolution
3	EMOD-4	1	Output Module, 4-Station, Evolution (Optional) ●
4	EMOD-12	1	Output Module, 12-Station, Evolution (Optional) ●
5	EVO-SC	1	Receiver, Smart Connect, Evolution (Optional) ●

● Order Through Finished Goods Distribution System - Minneapolis



EVOLUTION Controller (continued)

● Order Through Finished Goods Distribution System - Minneapolis