

COMMON VENTING TANKLESS GAS WATER HEATERS



WARNING: If the information in these instructions is not followed exactly, a fire or explosion may result causing property damage, personal injury or death.

- Do not store or use gasoline or other flammable vapors and liquids in the vicinity of this or any other appliance.
- **WHAT TO DO IF YOU SMELL GAS:**
 - Do not try to light any appliance.
 - Do not touch any electrical switch; do not use any phone in your building.
 - Immediately call your gas supplier from a neighbor's phone. Follow the gas supplier's instructions.
 - If you cannot reach your gas supplier, call the fire department.
- Installation and service must be performed by a qualified installer, service agency or the gas supplier.

	⚠ WARNING
	<p>Read and understand instruction manual and safety messages before installing, operating or servicing this water heater.</p> <p>Failure to follow instructions and safety messages could result in death or serious injury.</p> <p>Instruction manual must remain with water heater.</p>

• **For Your Safety** •
AN ODOURANT IS ADDED TO THE GAS USED BY THIS WATER HEATER.

ALL TECHNICAL AND WARRANTY QUESTIONS: SHOULD BE DIRECTED TO THE LOCAL DEALER FROM WHOM THE WATER HEATER WAS PURCHASED. IF YOU ARE UNSUCCESSFUL, PLEASE CONTACT THE COMPANY LISTED ON THE RATING PLATE ON THE WATER HEATER.

KEEP THIS MANUAL ON (OR NEAR) HEATER FOR FUTURE REFERENCE
WHENEVER MAINTENANCE ADJUSTMENT OR SERVICE IS REQUIRED.

TABLE OF CONTENTS

Instructions	4	Horizontal Configurations - (Polypropylene Piping)	14
Introduction	4	Back-To-Back	
Vent Materials	4	In-Line	
Vent & Exhaust Installation	5	Vertical Configuration (Schedule 40 PVC Piping)	18
Condensate	5	Dual Chase	
Common Vent Types	6	Single Chase	
Horizontal (Side-By-Side)		Vertical Configuration (Polypropylene Piping)	22
Vertical (Multi-Level)		Dual Chase	
Determining The Common Vent Diameter	8	Single Chase	
Horizontal Configuration		Item List	30
Vertical Configuration		Final Checklist	30
Clearances	9		
Sidewall Terminations			
Rooftop Terminations			
Venting Components	10		
Horizontal Configurations - (Schedule 40 PVC Piping)	10		
Back-To-Back			
In-Line			

LIST OF FIGURES

Figure 1.	Non-Return Valve (p/n 100113130)	4
Figure 2.	PVC Adaptor (p/n 100113129)	4
Figure 3.	Vent Length Dimensioning	5
Figure 4.	Typical Common-Vent Through The Roof Installation.	6
Figure 5.	Typical Common-Vent Through The Wall Installation	6
Figure 6.	Typical Common-Vent Combination Wall / Roof Installation	6
Figure 7.	Vertical Through-The-Roof Venting	7
Figure 8.	Vertical Through-The-Wall Venting	7
Figure 9.	Vertical Venting In A Single Chase	8
Figure 10.	Vent Dimensioning	8
Figure 11.	Vent Dimensioning	9
Figure 12.	Venting Components Horizontal Configuration (Back-to-Back)	10
Figure 13.	Horizontal Configuration (Back-to-Back).	11
Figure 14.	Venting Components Horizontal Configuration (In-Line).	12
Figure 15.	Horizontal Configuration (In-Line)	13
Figure 16.	Horizontal Configuration (In-Line on Wall)	13
Figure 17.	Venting Components Horizontal Configuration (Back-to-Back)	14
Figure 18.	Horizontal Configuration (Back-to-Back).	15
Figure 19.	Venting Components Horizontal Configuration (In-Line).	16
Figure 20.	Horizontal Configuration (In-Line)	17
Figure 21.	Horizontal Configuration (In-Line on Wall)	17
Figure 22.	Venting Components Vertical Configuration (Dual Chase)	18
Figure 23.	Vertical Configuration (Dual Chase)	19
Figure 24.	Venting Components Vertical Configuration (Single Chase).	20
Figure 25.	Vertical Configuration (Single Chase)	21
Figure 26.	Venting Components Vertical Configuration (Dual Chase)	22
Figure 27.	Vertical Configuration (Dual Chase)	23
Figure 28.	Venting Components Vertical Configuration - Tees (Dual Chase).	24
Figure 29.	Vertical Configuration - Tees (Dual Chase).	25
Figure 30.	Venting Components Vertical Configuration - Wyes (Single Chase)	26
Figure 31.	Vertical Configuration - Wyes (Single Chase).	27
Figure 32.	Venting Components Vertical Configuration - Tees (Single Chase)	28
Figure 33.	Vertical Configuration - Tees (Single Chase)	29

LIST OF TABLES

Table 1.	Allowable Vent Materials.	4
Table 2.	List of Venting Components Horizontal Configuration (Back-to-Back)	11
Table 3.	List of Venting Components Horizontal Configuration (In-Line)	13
Table 4.	List of Venting Components Horizontal Configuration (Back-to-Back)	15
Table 5.	List of Venting Components Horizontal Configuration (In-Line)	17
Table 6.	List of Venting Components Vertical Configuration (Dual Chase).	19
Table 7.	List of Venting Components Vertical Configuration (Single Chase)	21
Table 8.	List of Venting Components Vertical Configuration - Wyes (Dual Chase)	23
Table 9.	List of Venting Components Vertical Configuration - Tees (Dual Chase)	25
Table 10.	List of Venting Components Vertical Configuration - Wyes (Single Chase)	27
Table 11.	List of Venting Components Vertical Configuration - Tees (Single Chase)	29

INSTRUCTIONS

INTRODUCTION

The only heaters approved for common venting are the condensing heaters: 240 (T-H3J), 340 (T-H3S), and 540 (T-H3). When common vented, the heaters must be direct vented.

There are two possible configurations for common venting. One is for multiple heaters installed side-by-side (horizontal configuration), the other is a multi-level vertical configuration, like a multi-level apartment building.

WARNING! Each common vented heater must have a Non-Return Valve (NRV), p/n 100113130, installed in the heater's exhaust. See the instructions packaged with the NRV for proper installation.

A maximum of 8 heaters may be common vented in a side-by-side (horizontal) configuration. A maximum of 3 heaters may be common-vented in a multi-level vertical configuration.

When used in a common vent configuration, each condensing heater requires the installation of a polypropylene Non-Return Valve (NRV).

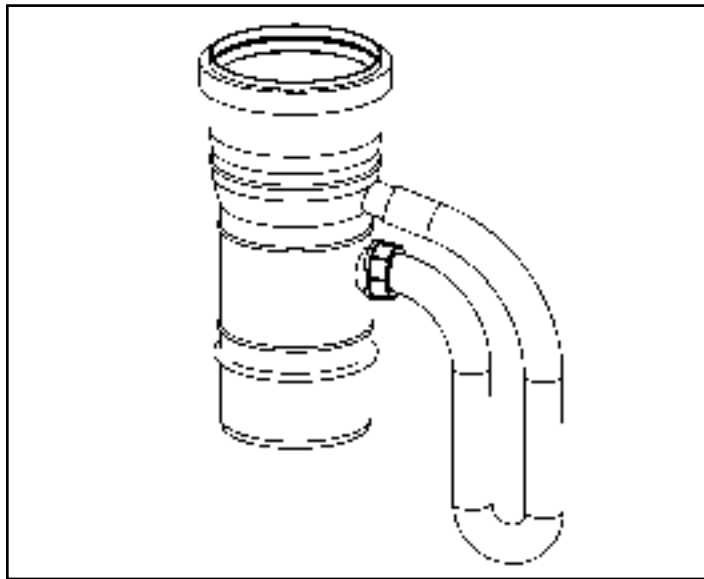


Figure 1. Non-Return Valve (p/n 100113130)

The maximum equivalent vent run is 100 feet. Each 90° elbow is equivalent to 5 feet of pipe. Each 45° elbow is equivalent to 2.5 feet of pipe. The common vent header should remain the same size from beginning to the termination. The termination can be through a sidewall or the roof.

VENT MATERIALS

The following venting materials are allowed to be used for the exhaust and air intake piping:

1. Schedule 40 PVC piping (Solid Core only).
2. PVC-DWV piping.
3. Schedule 40 CPVC piping (Solid Core only).
4. Schedule 40 ABS piping
5. InnoFlue® by Centrotherm (polypropylene vent system).

Item	Material	United States	Canada
Exhaust pipe and Fittings	Schedule 40 PVC	ANSI/ASTM D1785	ULC S636 Certified Materials Only
	PVC-DWV	ANSI/ASTM D2665	
	Schedule 40 CPVC	ANSI/ASTM F441	
	Schedule 40 ABS-DWV	ANSI/ASTM D2661	
	Polypropylene	UL-1738	
Pipe Cement/Primer	PVC	ANSI/ASTM D2564	
	CPVC	ANSI/ASTM F493	
	ABS	ANSI/ASTM D2235	

Table 1. Allowable Vent Materials

A PVC Adaptor, p/n 100113129 (Figure 2), is required when using PVC piping for the exhaust. This PVC piping shall be installed in the NRV outlet and transition to 4" Schedule 40 PVC piping.

WARNING! Use of cellular core PVC (ASTM F891), cellular core CPVC, or Radel® (polyphenylsulfone) in non-metallic venting systems is prohibited. Covering non-metallic vent pipe and fittings with thermal insulation is prohibited.

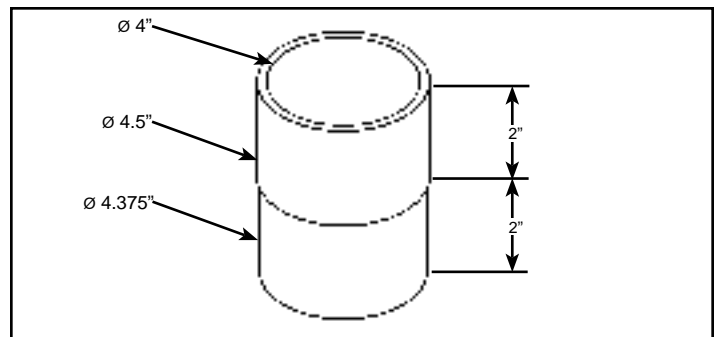


Figure 2. PVC Adaptor (p/n 100113129)

VENT & EXHAUST INSTALLATION

- All vent piping must be supported by hangers. DO NOT let the water heaters support the weight of the venting.
 - horizontal vent piping must be supported every 3 ft. (0.91m).
 - vertical vent piping must be supported every 5 ft. (1.5m).
- Horizontal vent runs require an upward slope of 1/4 in. per foot (21mm per metre).
- Each connection in the vent system must be air tight and tested before putting the heaters into operation.
- All common vented installations require a condensate drain in the exhaust vent run.
- The termination for side wall venting shall be a 45° elbow for the exhaust, and a 90° elbow for the intake. Install screens with minimum 3/4 in. (19mm) mesh spacing in each termination to prevent foreign material from entering the vent system.
- The terminations for the roof and air intake lines shall consist of one 90° elbow and one 45° elbow as shown in Figure 4 through Figure 11. The terminations may use two 90° elbows. Install screens with minimum 3/4 in. (19mm) mesh spacing in each termination to prevent foreign material from entering the vent system.
- Refer to the Installation Manual and Owner's Guide for further installation instructions.

CONDENSATE

This water heater is a high efficiency condensing water heater that produces condensate (acidic water). The venting must be installed such that the condensate will not drain through a heater. The contractor must install a condensate trap and pitch the exhaust venting towards the trap so it can be drained.

Common-venting system					
Vent Diameter* (D)	Max. No. of water heaters		Max. equivalent vent length** (L) Intake and Exhaust each	DIP switch settings	
	Horiz.	Vert.		240 Indoor (T-H3J-DV) 340 Indoor (T-H3S-DV)	540 Indoor (T-H3-DV) (Upper bank of DIPswitches)
4 in. (110mm)	2	2	25 ft. (7.6 m)		
5 in. (125mm)	2	2	50 ft. (15.2 m)		
	3	3	20 ft. (6.1 m)		
6 in. (160mm)	2	2	100 ft. (30.5 m)		
	3	3	75 ft. (22.9 m)		
	4	N/A	50 ft. (15.2 m)		
	5	N/A	25 ft. (7.6 m)		
	6	N/A	20 ft. (6.1 m)		
8 in. (200mm)	3	3	100 ft. (30.5 m)		
	4	N/A	100 ft. (30.5 m)		
	5	N/A	85 ft. (25.9 m)		
	6	N/A	65 ft. (19.8 m)		
	7	N/A	50 ft. (15.2 m)		
	8	N/A	41 ft. (12.5 m)		

ON 1 2 3 4 5 6 7 8 9 10
OFF

No.6: ON
No.7: OFF

ON 1 2 3 4 5 6 7 8
OFF

No.3: ON
No.4: OFF

*Diameters of pipes are in accordance with Centrotherm's specifications.

**One elbow is equivalent to 5 ft (1.5 m) linear length. The maximum number of elbows allowed is 5. See calculations on page 8.

Figure 3. Vent Length Dimensioning

COMMON VENT TYPES

Horizontal (Side-By-Side)

A maximum of 8 condensing heaters may be common vented horizontally, in either an in-line or back-to-back configuration. The use of reducing wyes to join each heater's venting to the trunk line is preferred, however reducing tees are acceptable. The maximum length of the single exhaust vent line from the heater to the common vent header (trunk line) is 10 ft. (3 m), with only two elbows allowed. This vent size should be of 4 in. piping.

The exhaust piping should be sloped back to the heater 1/4 in. per foot (21mm per metre) or as per local code requirements.

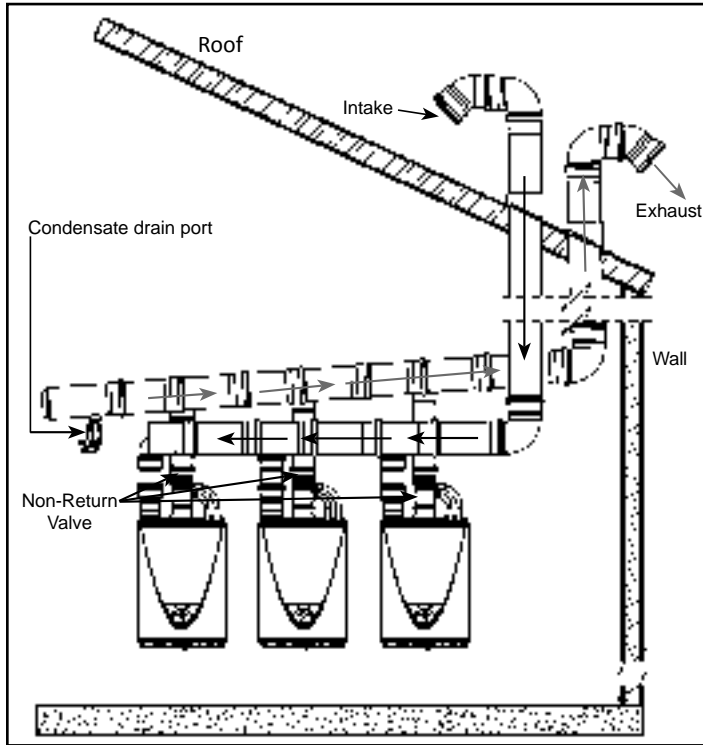


Figure 4. Typical Common-Vent Through The Roof Installation

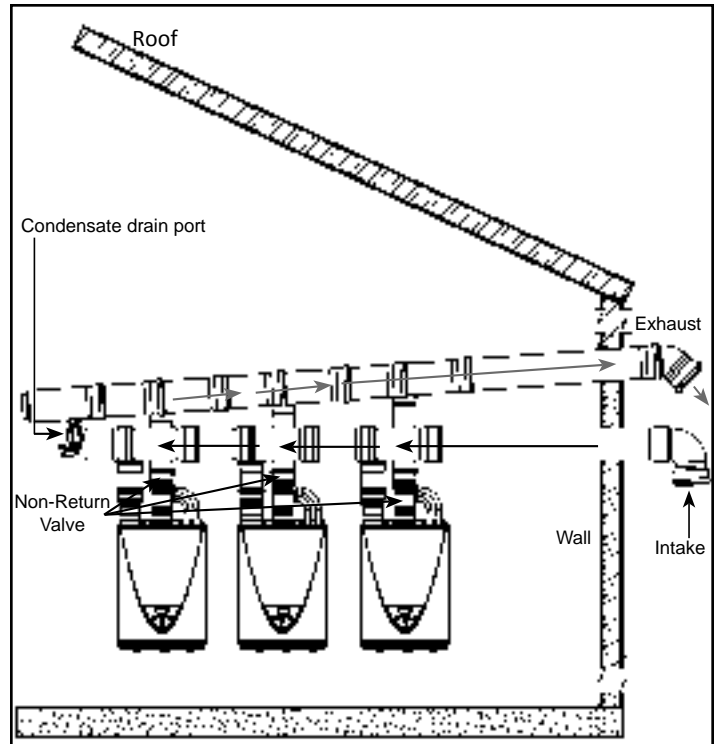


Figure 5. Typical Common-Vent Through The Wall Installation

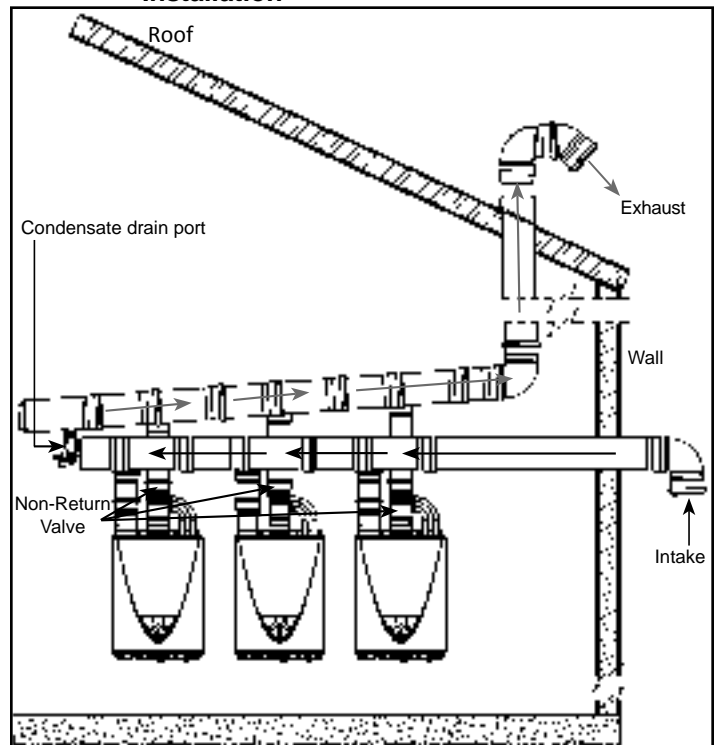


Figure 6. Typical Common-Vent Combination Wall / Roof Installation

Vertical (Multi-Level)

Condensing heaters may also be installed in a multi-level, vertical configuration. A maximum of 3 heaters may be common vented in a vertical configuration. The use of reducing wyes to join each heater's venting to the trunk line is preferred, however reducing tees are acceptable. The maximum vertical distance of the single exhaust vent line from the heater to the common vent header (trunk line) is 10 ft. (3m), with only two elbows allowed. This vent size should be of 4 in. piping.

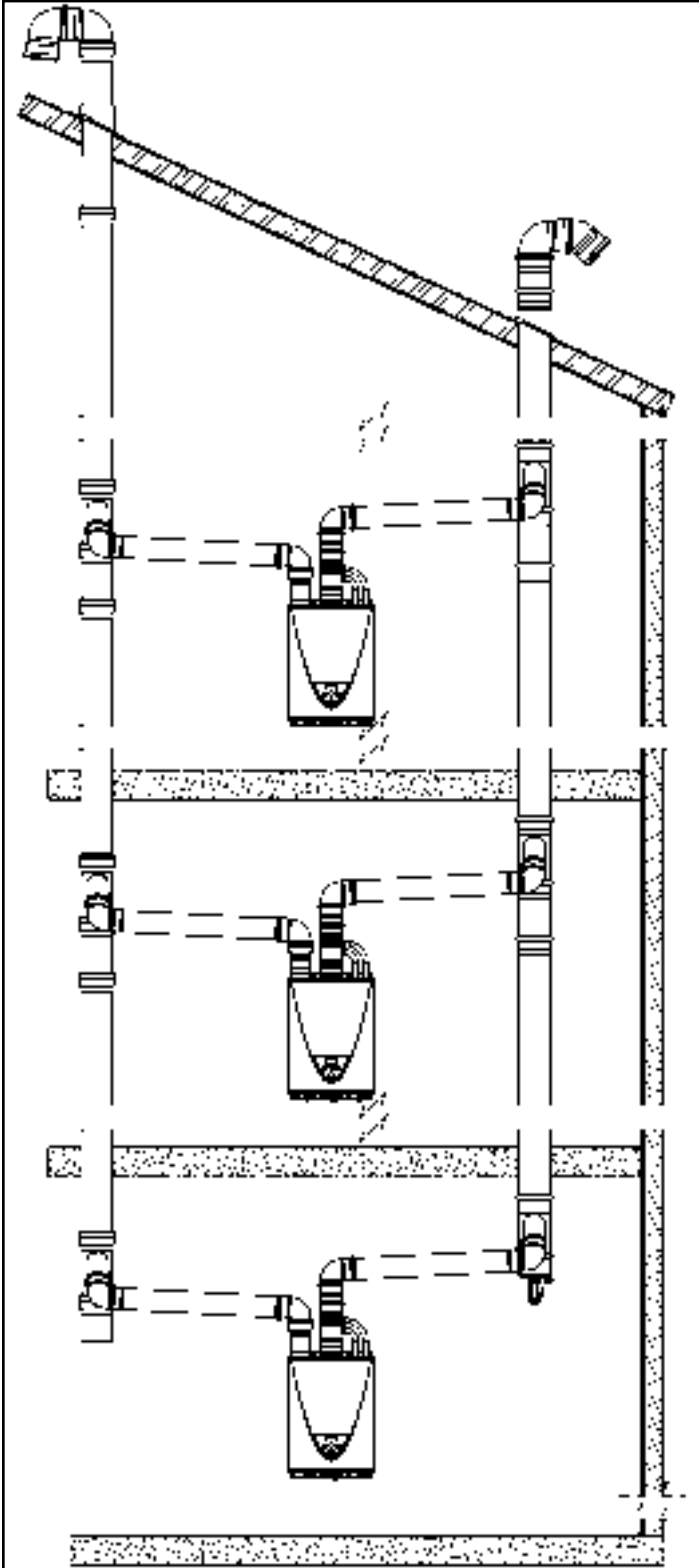


Figure 7. Vertical Through-The-Roof Venting
100271266

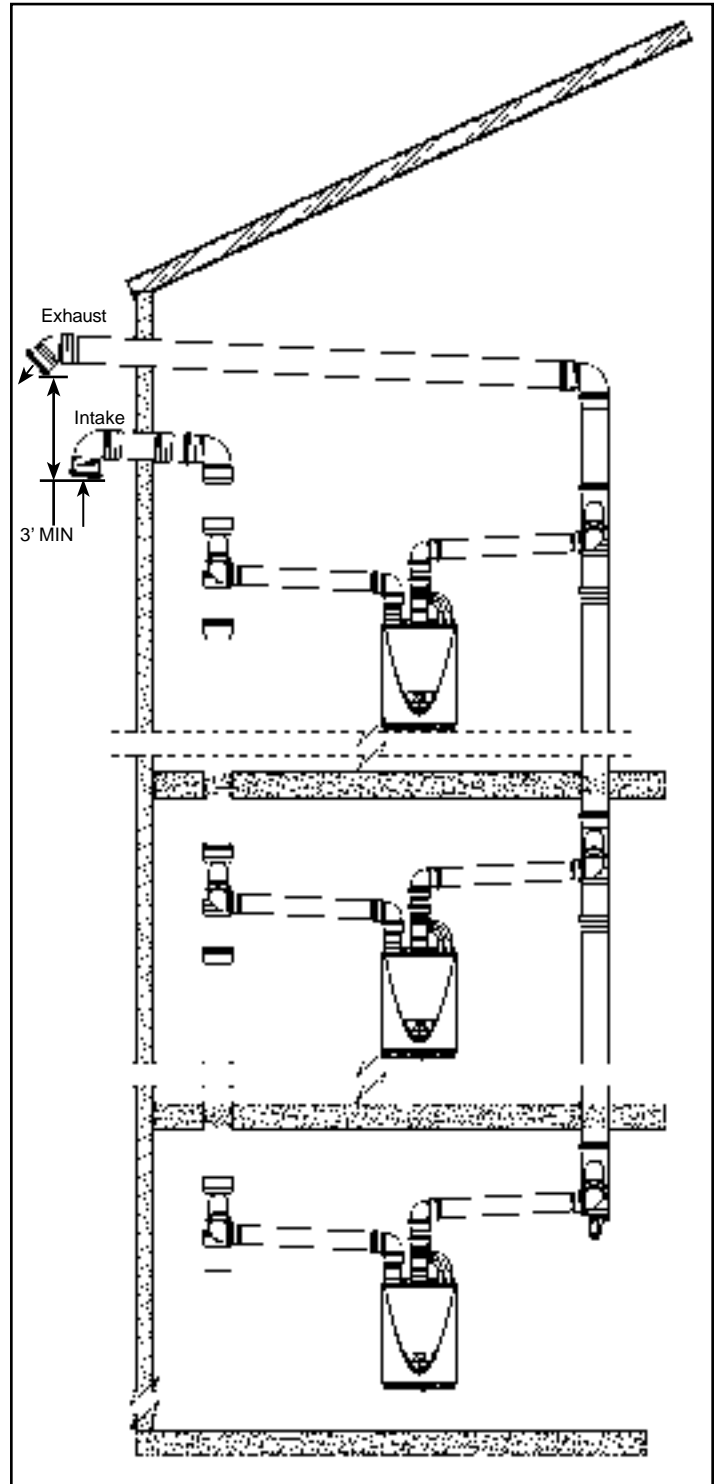


Figure 8. Vertical Through-The-Wall Venting

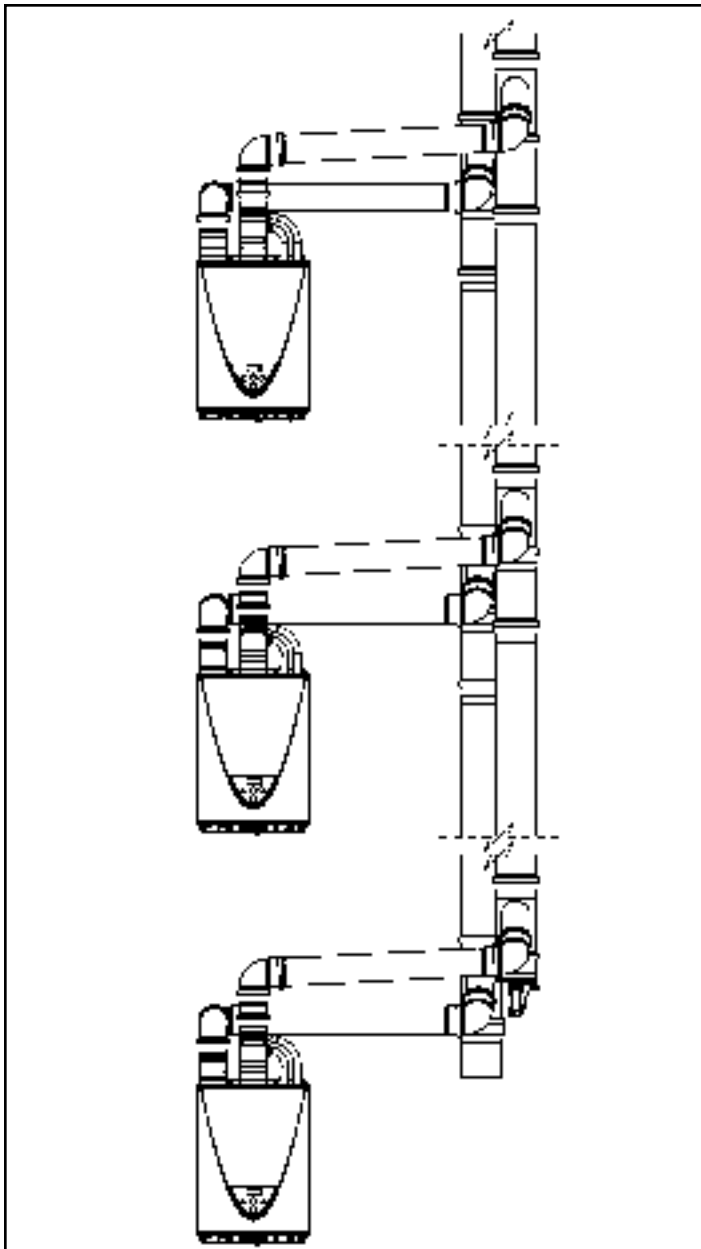


Figure 9. Vertical Venting In A Single Chase

DETERMINING THE COMMON VENT DIAMETER

Horizontal Configuration

In order to determine the vent trunk diameter (D), the total equivalent vent length and number of heaters must first be determined. The total equivalent vent length (L) is calculated by adding the horizontal length (W) and the vertical length (H), with each 90° elbow equaling 5 ft. (1.5m) of pipe.

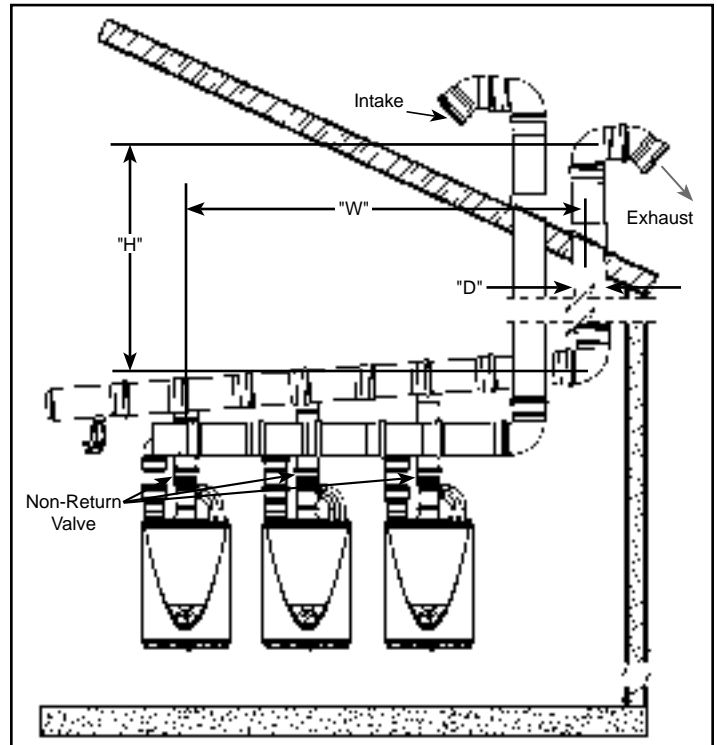


Figure 10. Vent Dimensioning

Notes:

- Total vent length (L) = H + W + (Number of Elbows x 5)
- Vent diameter="D"
- For the clearances between the exhaust termination and the intake termination refer to the heater Installation and Owner's Guide.
- Once you have determined L, see Figure 3 to determine the common vent header size. The common vent header is dependent on the number of heaters connected to the vent. For example, if you have 4 heaters vented together with L = 60 ft. (18m) your minimum common vent diameter is 8 in.
- The air intake sizing follows this same criteria.
- Install screens in each termination to prevent foreign material from entering the vent system. The mesh spacing of the screen should be no less than 3/4 in. (19mm).

Vertical Configuration

Maximum number of 3 heaters may be common vented in a vertical configuration. The maximum equivalent length of the common vent chimney is 100 ft. (30m) using 8 in. pipe and the trunk line should be a constant size.

Restrictions for vertical common venting (intake and exhaust) are as follows (see Figure 11):

- $L_1 + L_2 \leq 10 \text{ ft.} + 2 \text{ elbows, max.}$
- $\text{Total vent length} = L_1 + L_2 + H_t$

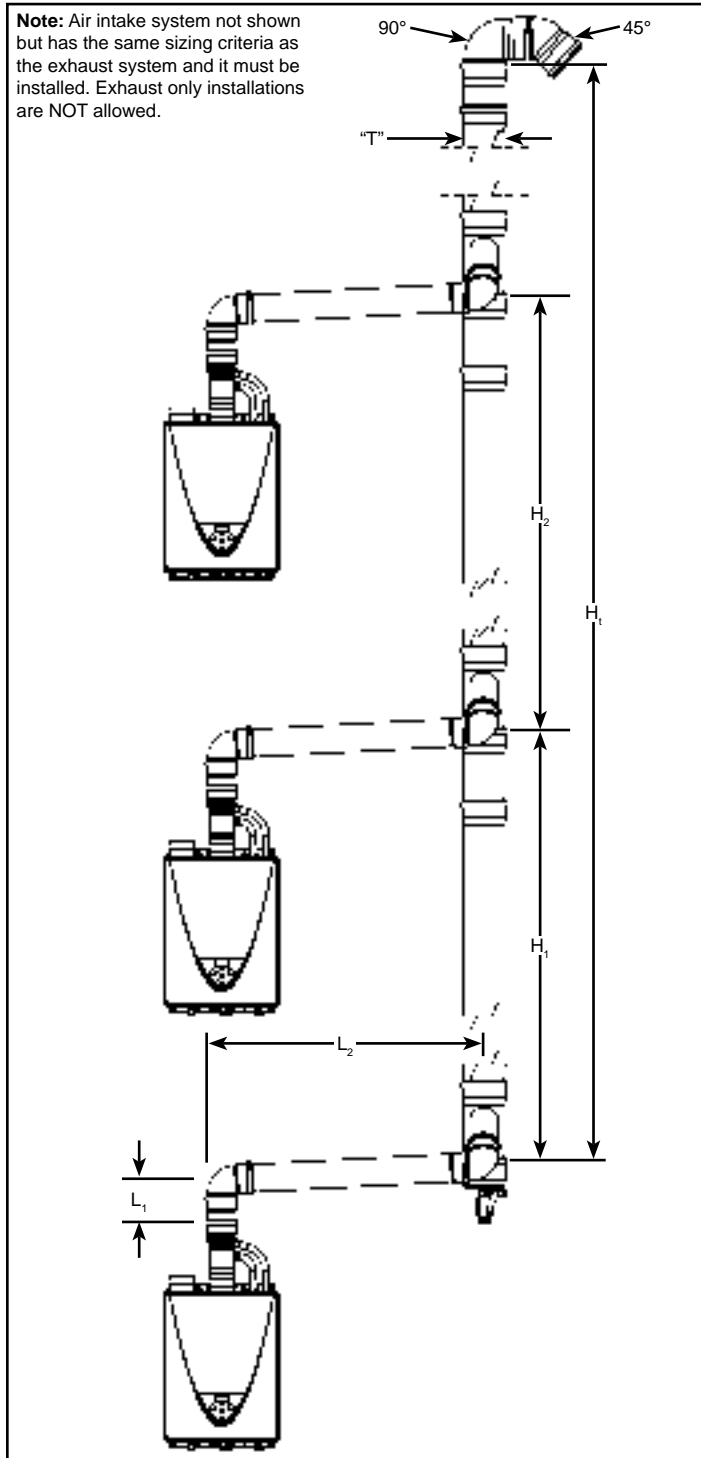


Figure 11. Vent Dimensioning

CLEARANCES

NOTICE: Follow all local and national codes in regards to proper termination clearances. In the absence of such codes, the clearances below can be used as guidelines. Local codes supersede these guidelines.

Sidewall Terminations

For multiple sidewall exhaust terminations, an exhaust termination must be at least 1 ft. (305mm) away from another exhaust termination. An exhaust termination must also be at least 2 ft. (610mm) away from an inside corner. (If the adjacent wall is less than 2 ft. (610mm) of length, the minimum required distance away from the inside corner will be equal to the length of that adjacent wall.)

For direct-vent sidewall terminations that use two separate penetrations for the intake and exhaust, maintain the termination clearances shown in the diagrams in the Installation Manual and Owner's Guide.

Exhaust and/or direct-vent sidewall terminations should be at least 2 ft. (610mm) away from an opposite surface/wall. Do not place the termination directly in front of an opening into a building.

Rooftop Terminations

Exhaust terminations must be at least 1 ft. (305mm) away from any obstructions.

1. Clearances for multiple exhausts and intakes – sidewall & roof: maintain the termination clearances shown in the diagrams in the Installation Manual and Owner's Guide.

Venting Component		Number of Back-to-Back Common Vented Heaters						
		2	3	4	5	6	7	8
Air Intake	4" to 3" Reducer (PVC) (Item #15)	2	3	4	5	6	7	8
	4" x 90° Street Elbow (PVC) (Item #17)	2	3	4	5	6	7	8
	"D" x 4" Reducing Wye (PVC) (Item #18)	2	3	4	5	6	7	8
Exhaust	Non-Return Valve (NRV) (Item #14)	2	3	4	5	6	7	8
	4" x 90° Street Elbow (PVC) (Item #17)	2	3	4	5	6	7	8
	"D" x 4" Reducing Wye (PVC) (Item #18)	0	1	0	1	0	1	0
	"D" x 4" Double Wye (PVC) (Item #19)	1	1	2	2	3	3	4
	4" Coupling (PVC) (Item #20)	2	3	4	5	6	7	8
	Polypropylene to PVC adaptor (Item #21)	2	3	4	5	6	7	8

* All PVC fittings and pipe shall be schedule 40.
"D" = Main Trunk Diameter.
Contractor to obtain proper pipe hangers for the venting and air intake.

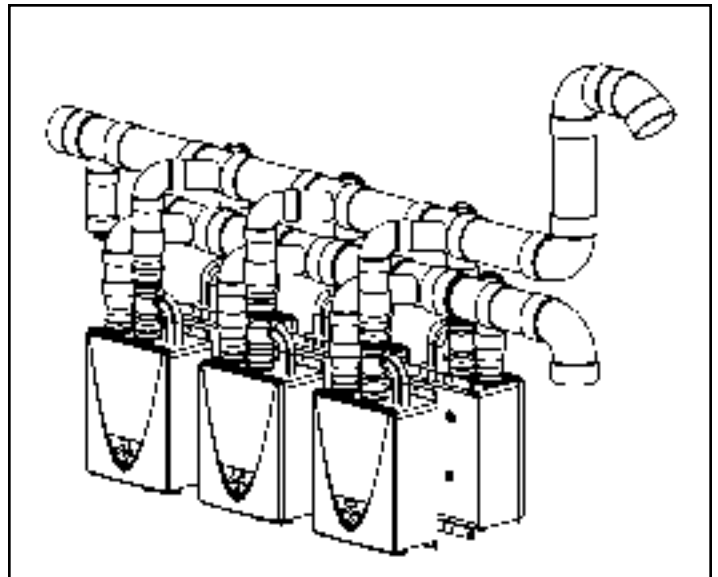


Figure 13. Horizontal Configuration (Back-to-Back)

Table 2. List of Venting Components Horizontal Configuration (Back-to-Back)

In-Line

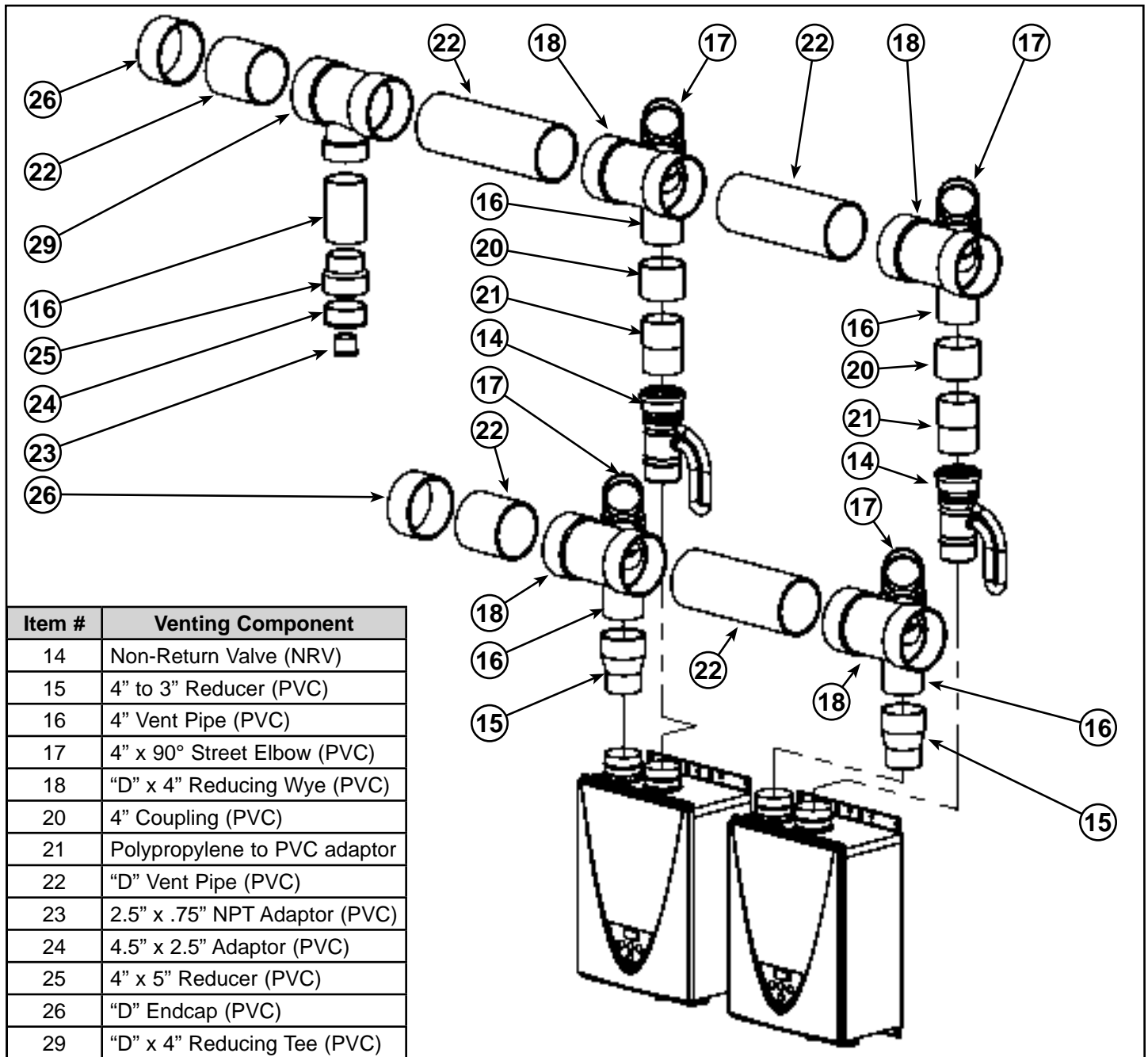


Figure 14. Venting Components Horizontal Configuration (In-Line)

Venting Component		Number of In-Line Common Vented Heaters						
		2	3	4	5	6	7	8
Air Intake	4" to 3" Reducer (PVC) (Item #15)	2	3	4	5	6	7	8
	4" x 90° Street Elbow (PVC) (Item #17)	2	3	4	5	6	7	8
	"D" x 4" Reducing Wye (PVC) (Item #18)	2	3	4	5	6	7	8
Exhaust	Non-Return Valve (NRV) (Item #14)	2	3	4	5	6	7	8
	4" x 90° Street Elbow (PVC) (Item #17)	2	3	4	5	6	7	8
	"D" x 4" Reducing Wye (PVC) (Item #18)	2	3	4	5	6	7	8
	4" Coupling (PVC) (Item #20)	2	3	4	5	6	7	8
	Polypropylene to PVC adaptor (Item #21)	2	3	4	5	6	7	8

* All PVC fittings and pipe shall be schedule 40.
"D" = Main Trunk Diameter.
Contractor to obtain proper pipe hangers for the venting and air intake.

Table 3. List of Venting Components Horizontal Configuration (In-Line)

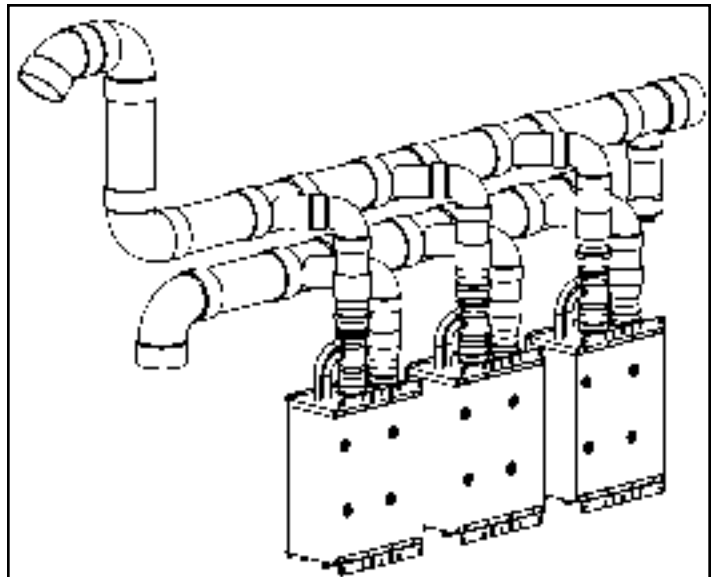


Figure 15. Horizontal Configuration (In-Line)

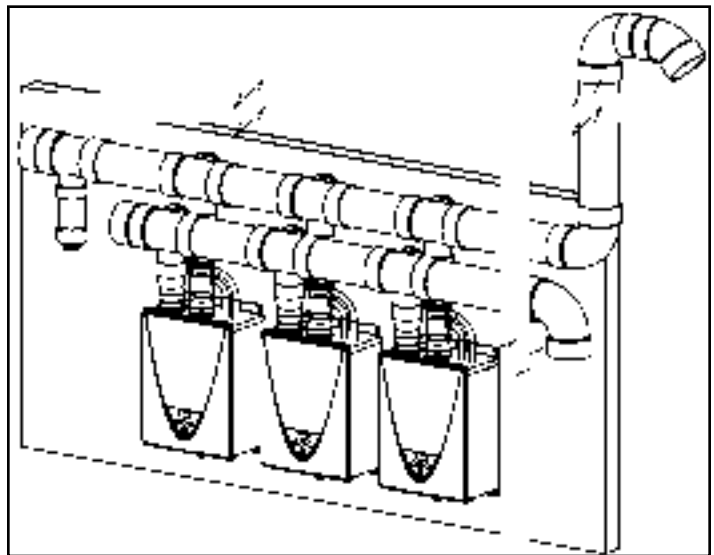


Figure 16. Horizontal Configuration (In-Line on Wall)

HORIZONTAL CONFIGURATIONS - (POLYPROPYLENE PIPING)

Back-To-Back

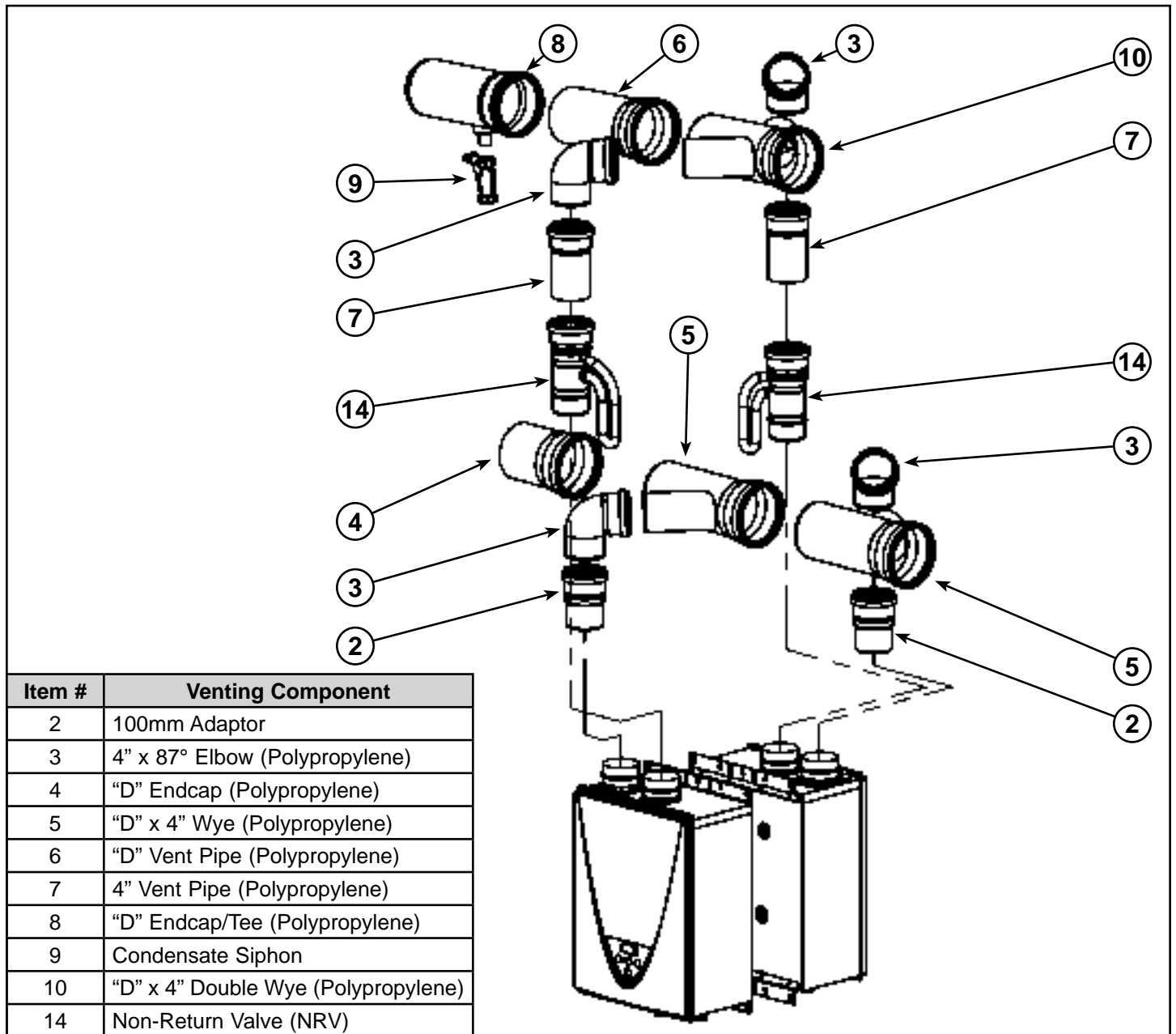


Figure 17. Venting Components Horizontal Configuration (Back-to-Back)

Venting Component		Number of Back-to-Back Common Vented Heaters						
		2	3	4	5	6	7	8
Air Intake	100mm Adaptor (Item #2)	2	3	4	5	6	7	8
	4" x 87° Elbow (Polypropylene) (Item #3)	2	3	4	5	6	7	8
	"D" x 4" Wye (Polypropylene) (Item #5)	2	3	4	5	6	7	8
Exhaust	4" x 87° Elbow (Polypropylene) (Item #3)	2	3	4	5	6	7	8
	"D" x 4" Wye (Polypropylene) (Item #5)	0	1	0	1	0	1	0
	"D" x 4" Double Wye (Polypropylene) (Item #10)	1	1	2	2	3	3	4
	Non-Return Valve (NRV) (Item #14)	2	3	4	5	6	7	8
"D" = Main Trunk Diameter. Contractor to obtain proper pipe hangers for the venting and air intake.								

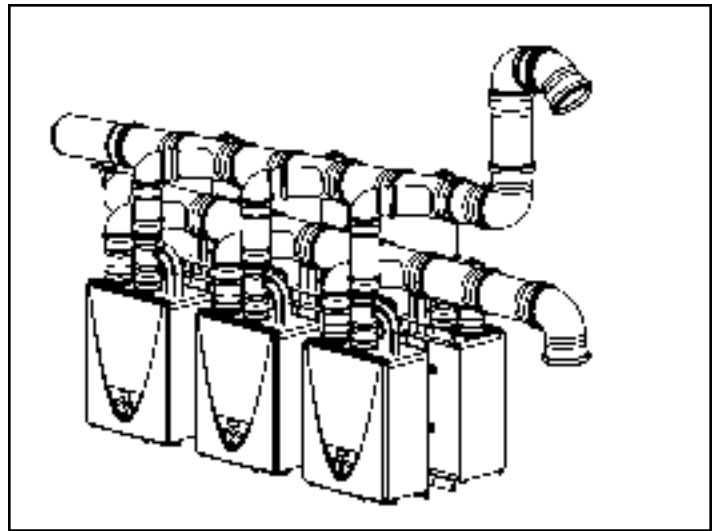


Figure 18. Horizontal Configuration (Back-to-Back)

Table 4. List of Venting Components Horizontal Configuration (Back-to-Back)

In-Line

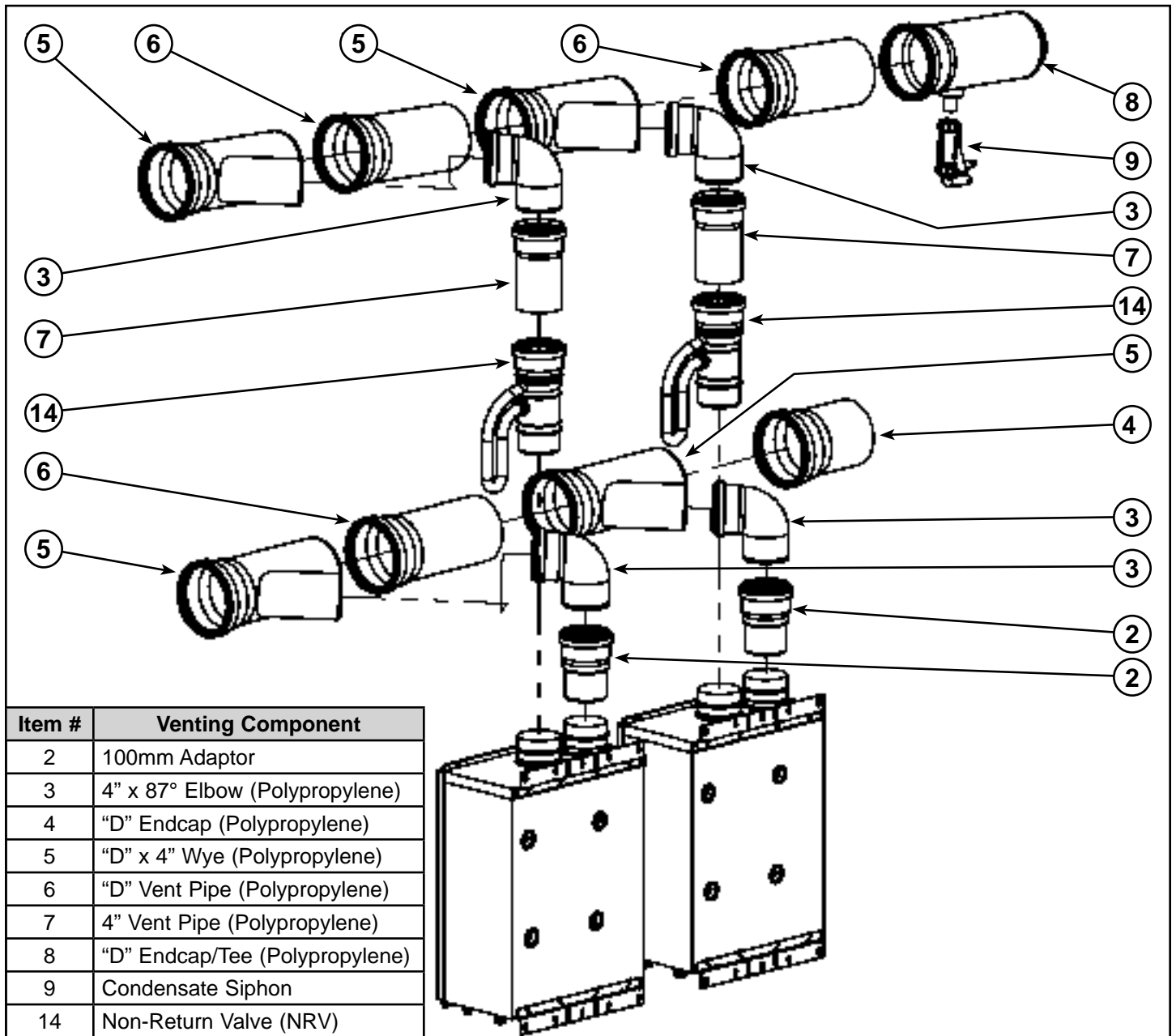


Figure 19. Venting Components Horizontal Configuration (In-Line)

Venting Component		Number of In-Line Common Vented Heaters						
		2	3	4	5	6	7	8
Air Intake	100mm Adaptor (Item #2)	2	3	4	5	6	7	8
	4" x 87° Elbow (Polypropylene) (Item #3)	2	3	4	5	6	7	8
	"D" x 4" Wye (Polypropylene) (Item #5)	2	3	4	5	6	7	8
Exhaust	4" x 87° Elbow (Polypropylene) (Item #3)	2	3	4	5	6	7	8
	"D" x 4" Wye (Polypropylene) (Item #5)	2	3	4	5	6	7	8
	Non-Return Valve (NRV) (Item #14)	2	3	4	5	6	7	8

"D" = Main Trunk Diameter.
Contractor to obtain proper pipe hangers for the venting and air intake.

Table 5. List of Venting Components Horizontal Configuration (In-Line)

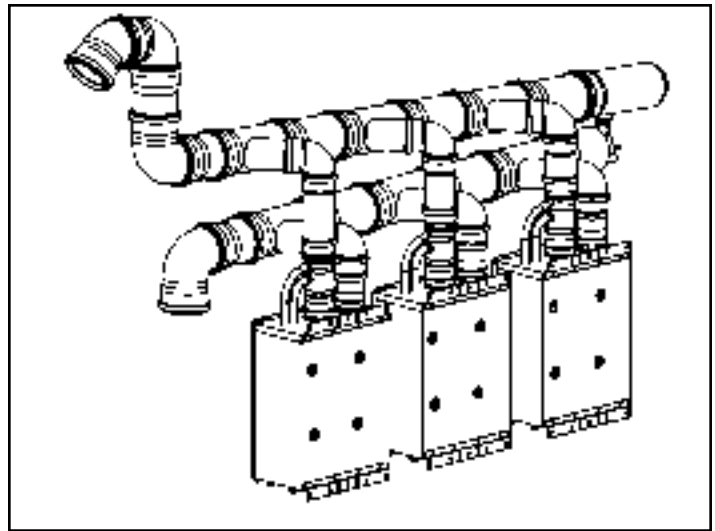


Figure 20. Horizontal Configuration (In-Line)

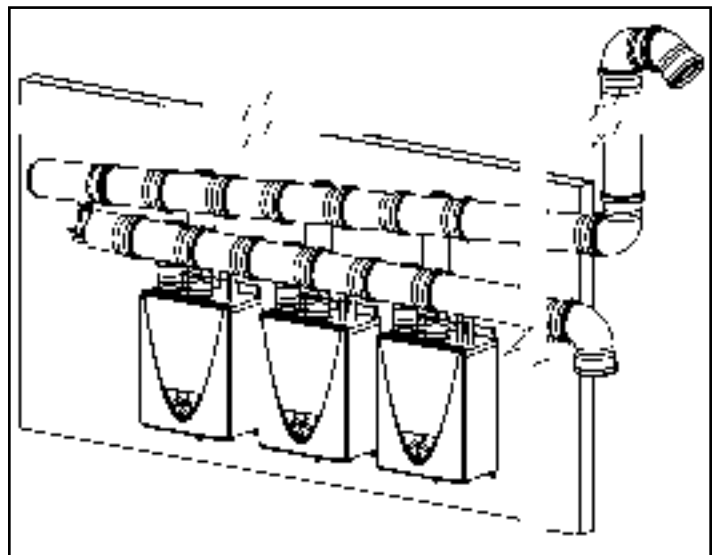


Figure 21. Horizontal Configuration (In-Line on Wall)

VERTICAL CONFIGURATION (SCHEDULE 40 PVC PIPING)

Dual Chase

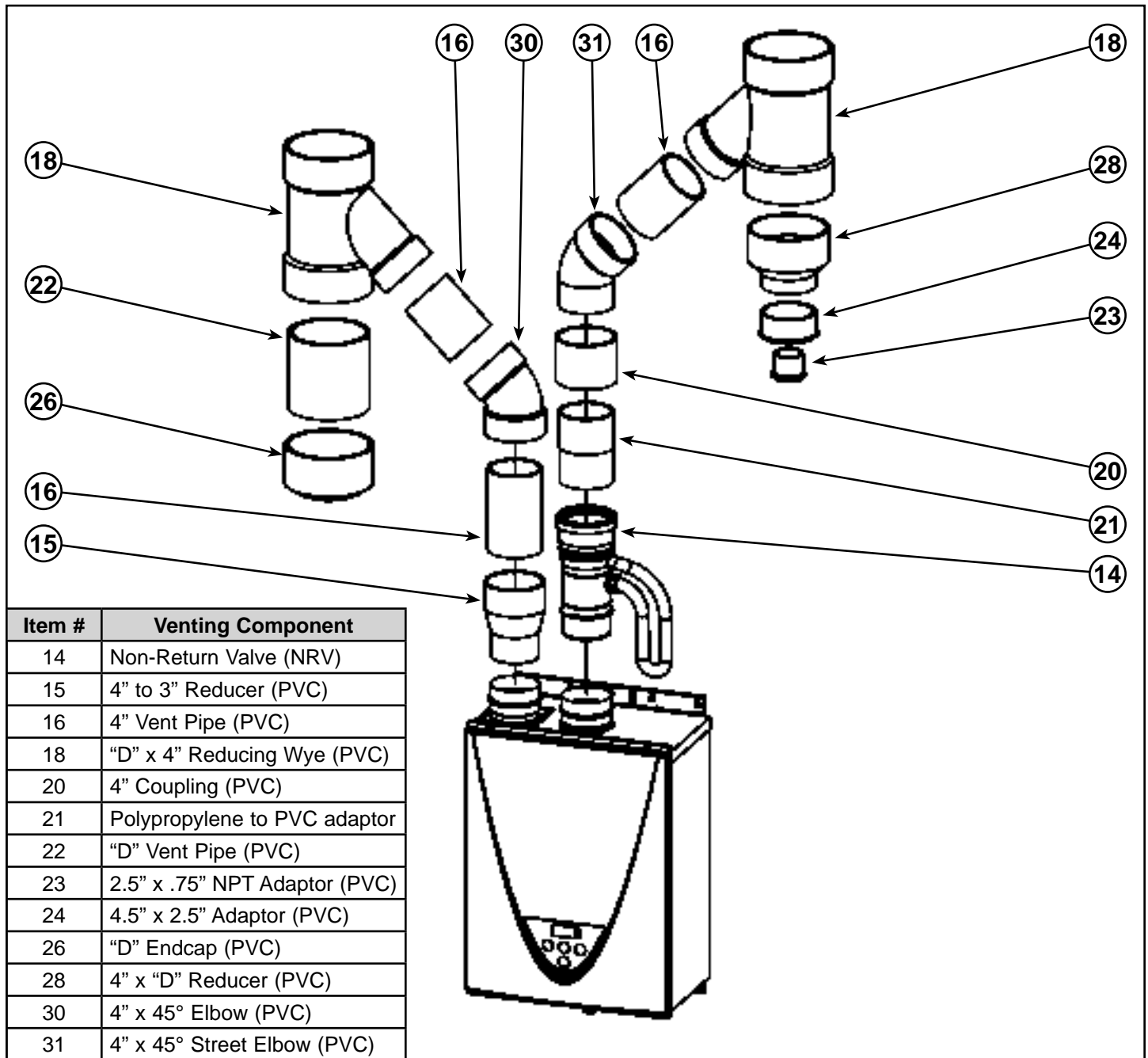


Figure 22. Venting Components Vertical Configuration (Dual Chase)

Venting Component		Number of Common Vented Heaters	
		2	3
Air Intake	4" to 3" Reducer (PVC) (Item #15)	2	3
	"D" x 4" Reducing Wye (PVC) (Item #18)	2	3
	4" x 45° Elbow (PVC) (Item #30)	2	3
Exhaust	Non-Return Valve (NRV) (Item #14)	2	3
	"D" x 4" Reducing Wye (PVC) (Item #18)	2	3
	4" Coupling (PVC) (Item #20)	2	3
	Polypropylene to PVC adaptor (Item #21)	2	3
	4" x 45° Street Elbow (PVC) (Item #31)	2	3
<p>* All PVC fittings and pipe shall be schedule 40. "D" = Main Trunk Diameter. Contractor to obtain proper pipe hangers for the venting and air intake.</p>			

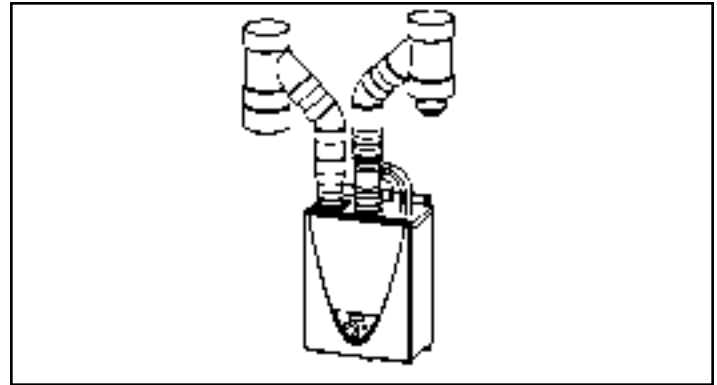


Figure 23. Vertical Configuration (Dual Chase)

Table 6. List of Venting Components Vertical Configuration (Dual Chase)

Single Chase

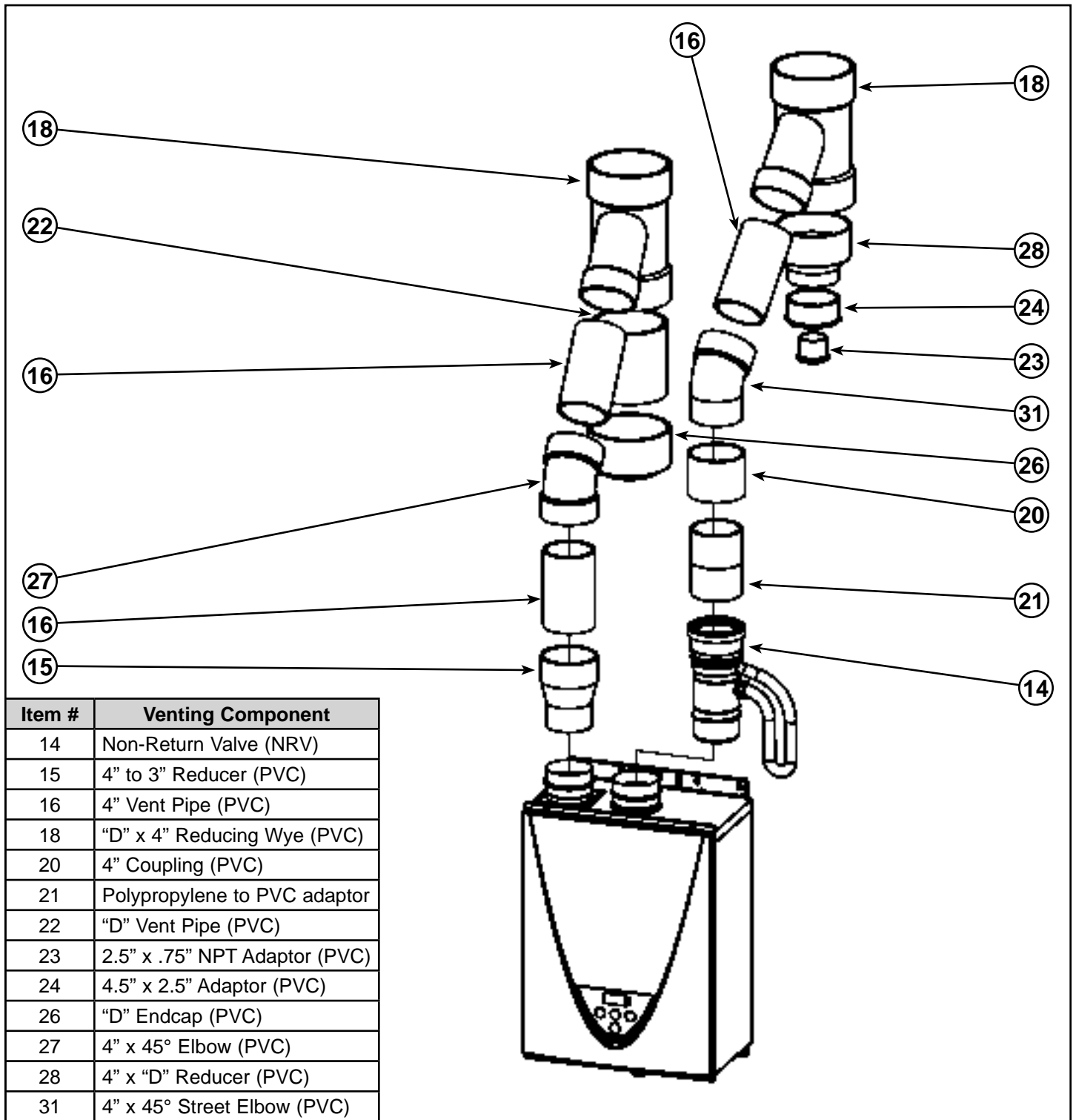


Figure 24. Venting Components Vertical Configuration (Single Chase)

Venting Component		Number of Common Vented Heaters	
		2	3
Air Intake	4" to 3" Reducer (PVC) (Item #15)	2	3
	"D" x 4" Reducing Wye (PVC) (Item #18)	2	3
	4" x 45° Elbow (PVC) (Item #27)	2	3
	4" x 45° Street Elbow (PVC) (Item #31)	2	3
Exhaust	Non-Return Valve (NRV) (Item #14)	2	3
	"D" x 4" Reducing Wye (PVC) (Item #18)	2	3
	4" Coupling (PVC) (Item #20)	2	3
	Polypropylene to PVC adaptor (Item #21)	2	3
	4" x 45° Street Elbow (PVC) (Item #31)	2	3
<p>* All PVC fittings and pipe shall be schedule 40. "D" = Main Trunk Diameter. Contractor to obtain proper pipe hangers for the venting and air intake.</p>			

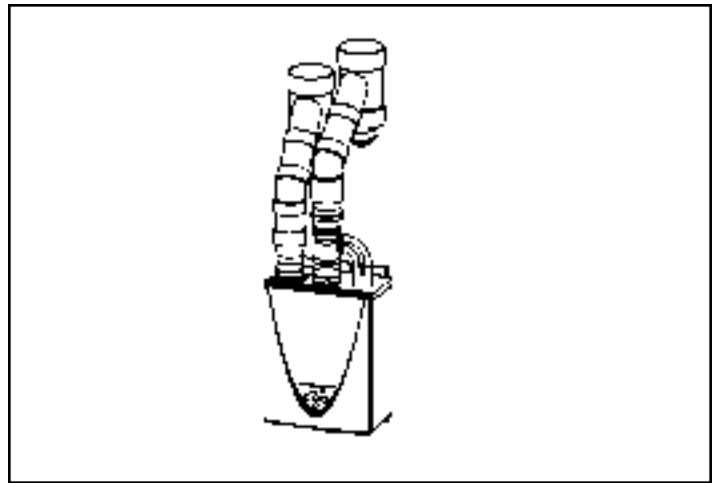


Figure 25. Vertical Configuration (Single Chase)

Table 7. List of Venting Components Vertical Configuration (Single Chase)

VERTICAL CONFIGURATION (POLYPROPYLENE PIPING)

Dual Chase

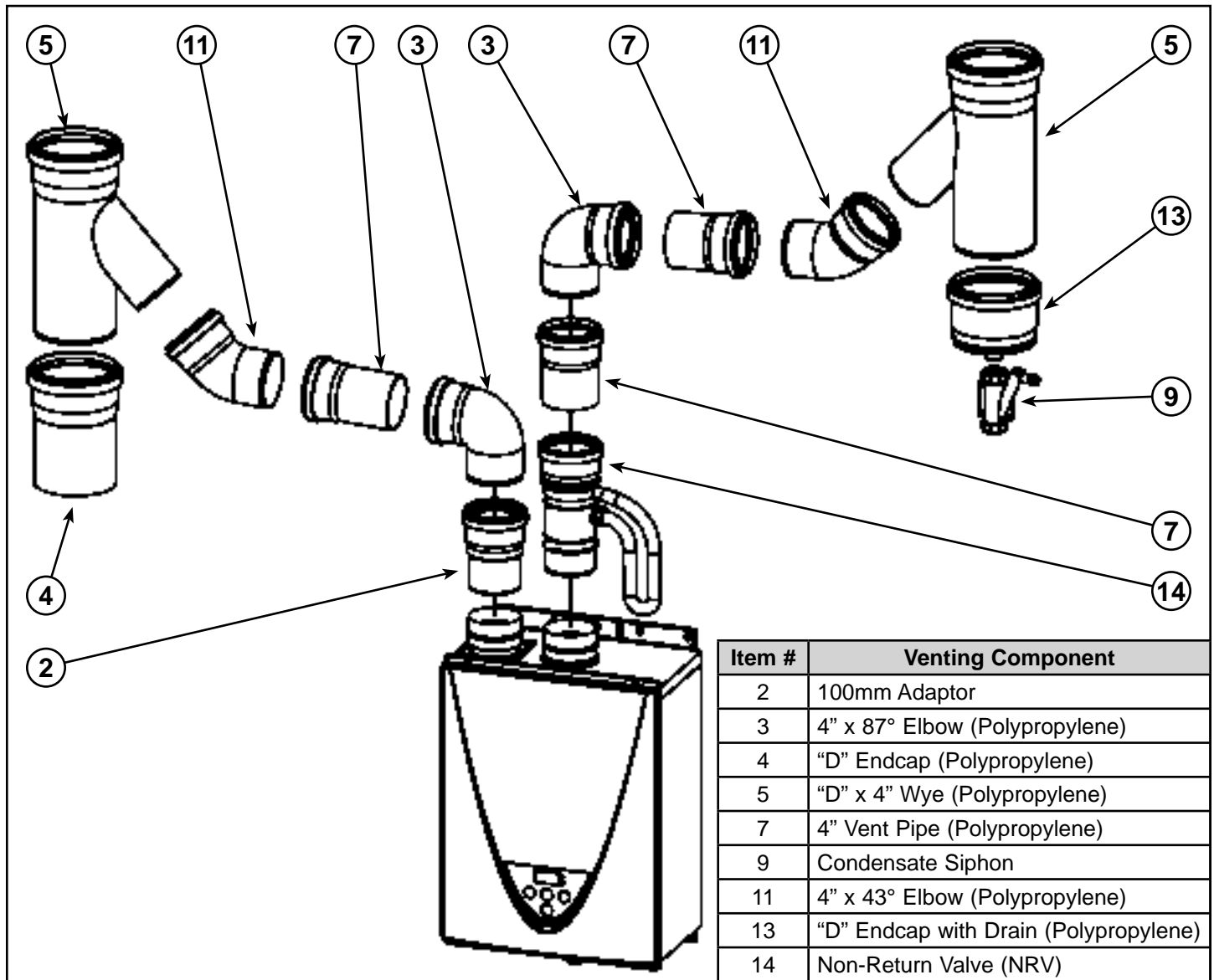


Figure 26. Venting Components Vertical Configuration (Dual Chase)

Venting Component		Number of Common Vented Heaters	
		2	3
Air Intake	100mm Adaptor (Item #2)	2	3
	4" x 87° Elbow (Polypropylene) (Item #3)	2	3
	"D" x 4" Wye (Polypropylene) (Item #5)	2	3
	4" x 43° Elbow (Polypropylene) (Item #11)	2	3
Exhaust	4" x 87° Elbow (Polypropylene) (Item #3)	2	3
	"D" x 4" Wye (Polypropylene) (Item #5)	2	3
	4" x 43° Elbow (Polypropylene) (Item #11)	2	3
	Non-Return Valve (NRV) (Item #14)	2	3
"D" = Main Trunk Diameter. Contractor to obtain proper pipe hangers for the venting and air intake.			

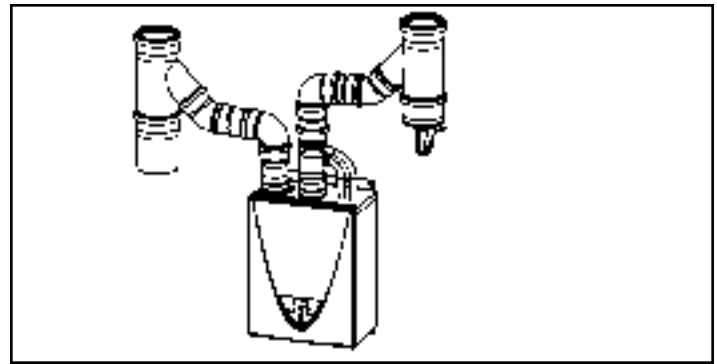


Figure 27. Vertical Configuration (Dual Chase)

Table 8. List of Venting Components Vertical Configuration - Wyes (Dual Chase)

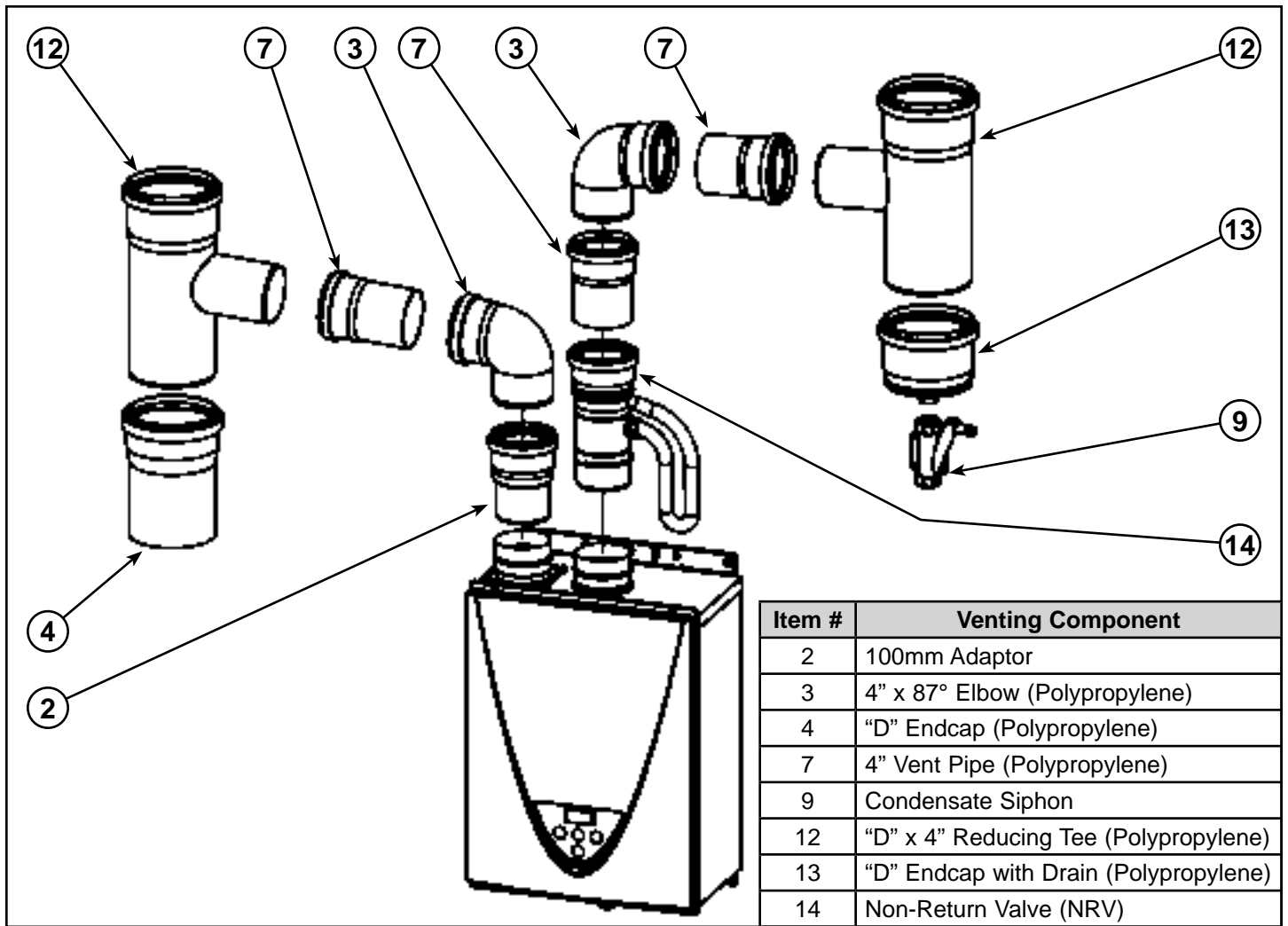


Figure 28. Venting Components Vertical Configuration - Tees (Dual Chase)

Venting Component		Number of Common Vented Heaters	
		2	3
Air Intake	100mm Adaptor (Item #2)	2	3
	4" x 87° Elbow (Polypropylene) (Item #3)	2	3
	"D" x 4" Reducing Tee (Polypropylene) (Item #12)	2	3
Exhaust	4" x 87° Elbow (Polypropylene) (Item #3)	2	3
	Non-Return Valve (NRV) (Item #14)	2	3
	"D" x 4" Reducing Tee (Polypropylene) (Item #12)	2	3
<p>"D" = Main Trunk Diameter. Contractor to obtain proper pipe hangers for the venting and air intake.</p>			

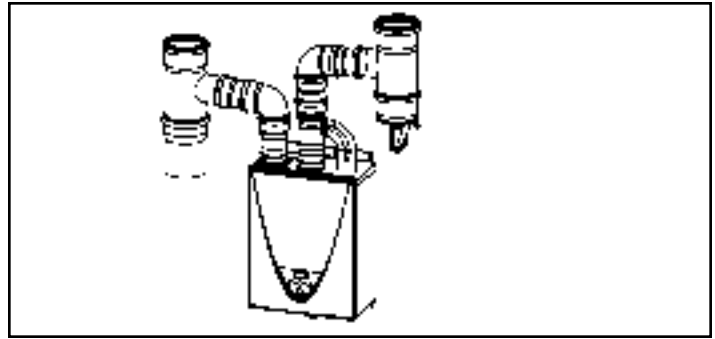


Figure 29. Vertical Configuration - Tees (Dual Chase)

Table 9. List of Venting Components Vertical Configuration - Tees (Dual Chase)

Single Chase

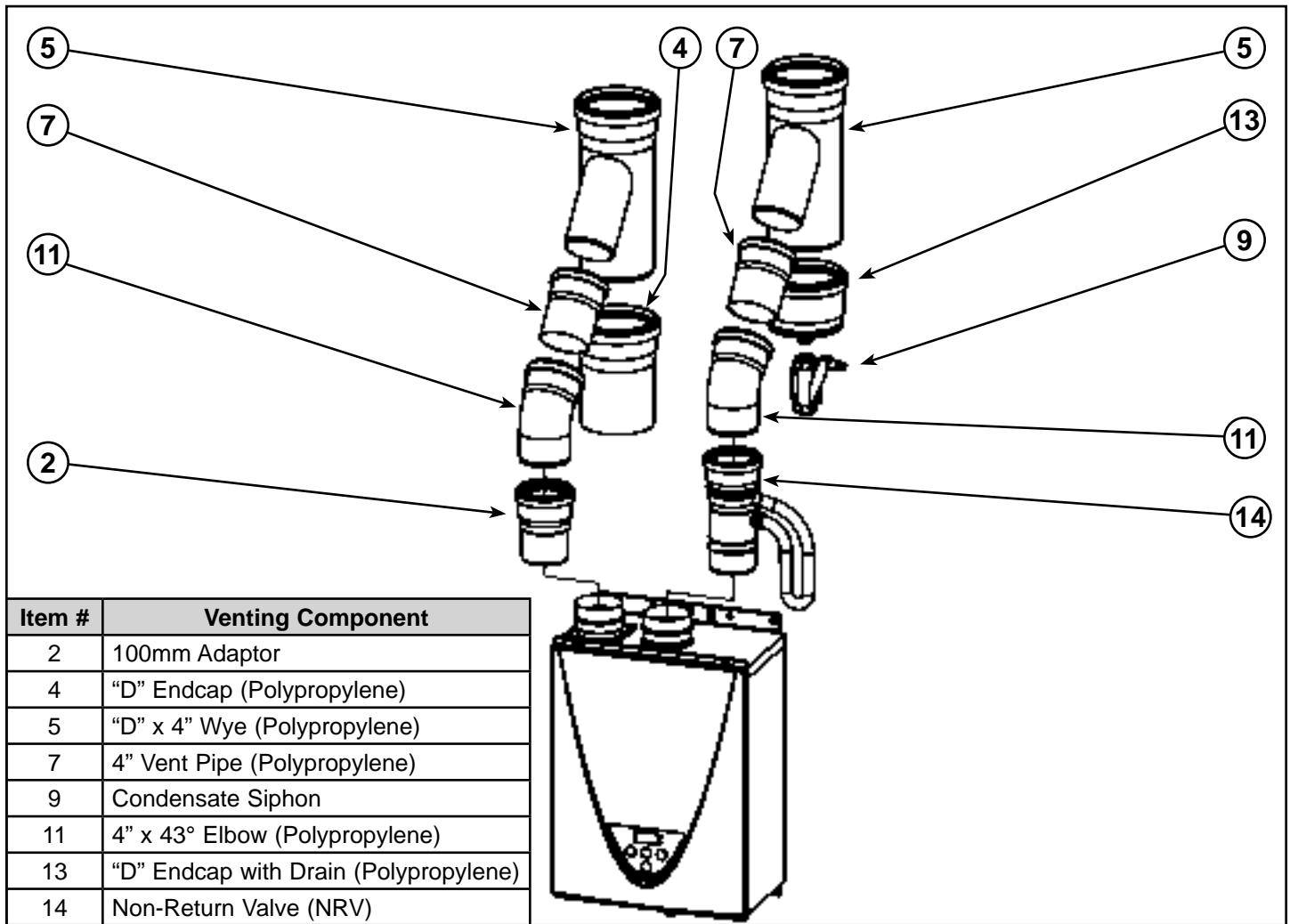


Figure 30. Venting Components Vertical Configuration - Wyes (Single Chase)

Venting Component		Number of Common Vented Heaters	
		2	3
Air Intake	100mm Adaptor (Item #2)	2	3
	"D" Endcap (Polypropylene) (Item #4)	2	3
	4" x 43° Elbow (Polypropylene) (Item #11)	4	6
Exhaust	"D" x 4" Wye (Polypropylene) (Item #5)	2	3
	4" x 43° Elbow (Polypropylene) (Item #11)	2	3
	Non-Return Valve (NRV) (Item #14)	2	3
<p>"D" = Main Trunk Diameter. Contractor to obtain proper pipe hangers for the venting and air intake.</p>			

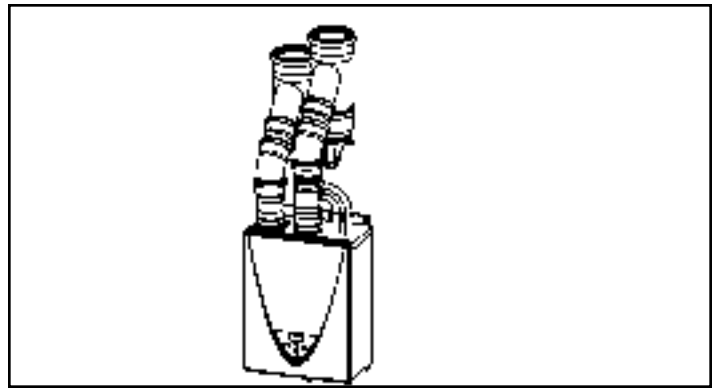


Figure 31. Vertical Configuration - Wyes (Single Chase)

Table 10. List of Venting Components Vertical Configuration - Wyes (Single Chase)

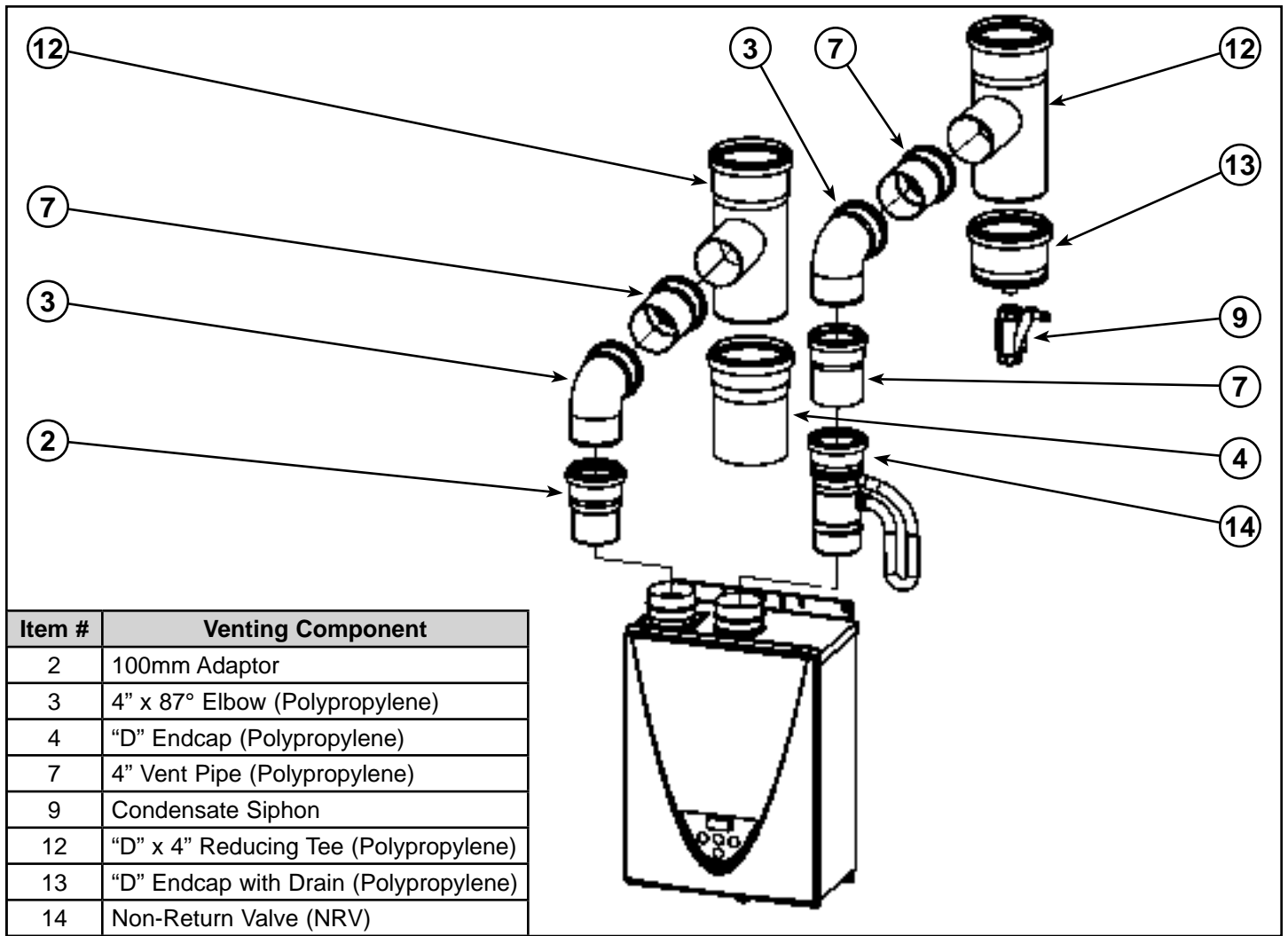


Figure 32. Venting Components Vertical Configuration - Tees (Single Chase)

Venting Component		Number of Common Vented Heaters	
		2	3
Air Intake	100mm Adaptor (Item #2)	2	3
	4" x 87° Elbow (Polypropylene) (Item #3)	2	3
	4" x 43° Elbow (Polypropylene) (Item #11)	2	3
	"D" x 4" Reducing Tee (Polypropylene) (Item #12)	2	3
Exhaust	4" x 87° Elbow (Polypropylene) (Item #3)	2	3
	"D" x 4" Reducing Tee (Polypropylene) (Item #12)	2	3
	Non-Return Valve (NRV) (Item #14)	2	3
"D" = Main Trunk Diameter. Contractor to obtain proper pipe hangers for the venting and air intake.			

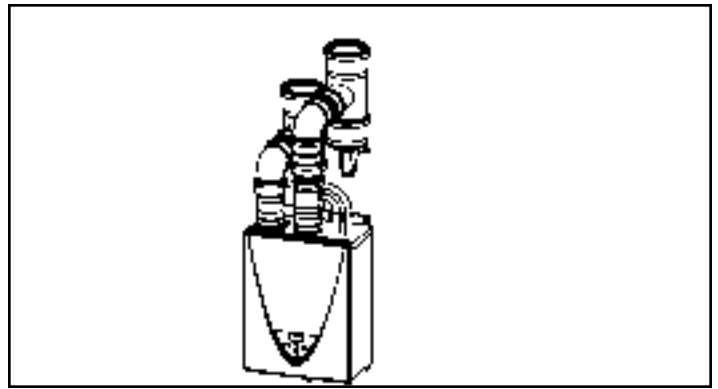


Figure 33. Vertical Configuration - Tees (Single Chase)

Table 11. List of Venting Components Vertical Configuration - Tees (Single Chase)

ITEM LIST

1	Heater	
2	100mm Adaptor	
3	4" x 87° Elbow (Polypropylene)	
4	"D" Endcap (Polypropylene)	
5	"D" x 4" Wye (Polypropylene)	
6	"D" Vent Pipe (Polypropylene)	
7	4" Vent Pipe (Polypropylene)	
8	"D" Endcap/Tee (Polypropylene)	
9	Condensate Siphon	
10	"D" x 4" Double Wye (Polypropylene)	
11	4" x 43° Elbow (Polypropylene)	
12	"D" x 4" Reducing Tee (Polypropylene)	
13	"D" Endcap with Drain (Polypropylene)	
14	Non-Return Valve (NRV)	(100113130)
15	4" to 3" Reducer (PVC)	
16	4" Vent Pipe (PVC)	
17	4" x 90° Street Elbow (PVC)	
18	"D" x 4" Reducing Wye (PVC)	
19	"D" x 4" Double Wye (PVC)	
20	4" Coupling (PVC)	
21	Polypropylene to PVC adaptor	(100113129)
22	"D" Vent Pipe (PVC)	
23	2.5" x .75" NPT Adaptor (PVC)	
24	4.5" x 2.5" Adaptor (PVC)	
25	4" x 5" Reducer (PVC)	
26	"D" Endcap (PVC)	
27	4" x 45° Elbow (PVC)	
28	4" x "D" Reducer (PVC)	
29	"D" x 4" Reducing Tee (PVC)	
30	4" x 45° Elbow (PVC)	
31	4" x 45° Street Elbow (PVC)	
"D" = Main Trunk Diameter.		

FINAL CHECKLIST

- Non-Return Valve (NRV) installed on each heater.
- PVC Adaptor installed on each heater with PVC venting.
- Venting properly supported.
- Venting properly sloped.
- Venting condensate drain installed.

1	Réservoir
2	Adaptateur 100 mm
3	Coude 4" x 87° (polypropylène)
4	Capuchon "D" (polypropylène)
5	Réducteur 3 voies "D" x 4" (polypropylène)
6	Conduit "D" (polypropylène)
7	Conduit 4" (polypropylène)
8	Capuchon/Tê "D" (polypropylène)
9	Siphon de condensation
10	Réducteur 4 voies "D" x 4" (polypropylène)
11	Coude 4" x 43° (polypropylène)
12	Tê réducteur "D" x 4" (polypropylène)
13	Capuchon "D" avec drain (polypropylène)
14	Clapet de non-retour (100113130)
15	Réducteur 4" x 3" (PVC)
16	Conduit 4" (PVC)
17	Coude mâle/femelle (street) 4" x 90° (PVC)
18	Réducteur 3 voies (Y) "D" x 4" (PVC)
19	Réducteur 4 voies (Y) "D" x 4" (PVC)
20	Manchon 4" (PVC)
21	Adaptateur polypropylène à PVC (100113129)
22	Conduit "D" (PVC)
23	Adaptateur 2,5" x 0,75" NPT (PVC)
24	Adaptateur 4,5" x 2,5" (PVC)
25	Réducteur 4" x 5" (PVC)
26	Capuchon "D" (PVC)
27	Coude 4" x 45° (PVC)
28	Réducteur 4" x "D" (PVC)
29	Tê réducteur "D" x 4" (PVC)
30	Coude 4" x 45° (PVC)
31	Coude mâle/femelle (street) 4" x 45° (PVC)
"D" = Diamètre du conduit commun	

LISTE DE COMPOSANTES

LISTE DE VÉRIFICATION FINALE

- Clapet de non-retour installé sur chaque chauffe-eau.
- Adaptateur pour le PVC installé sur chaque chauffe-eau avec conduits de ventilation en PVC.
- Conduits correctement supportés.
- Conduits avec pente adéquate.
- Le drain de condensation est installé sur le conduit d'évacuation.

Tableau 11. Liste de composantes de ventilation, configuration verticale - Tés (gaine ou puits unique)

"D" = Diamètre du conduit commun
L'installateur doit fournir les sangles requises pour le support des conduits d'approvisionnement et d'évacuation.

No. de chauffe-ventilation commune	Composante de ventilation		Apport d'air		Evacuation	
	2	3	2	3	2	3
			Adaptateur 100 mm (Item #2)	3	2	3
			Coude 4" x 87° (polypropylène) (Item #3)	3	2	3
			Coude 4" x 43° (polypropylène) (Item #11)	3	2	3
			Té réducteur "D" x 4" (polypropylène) (Item #12)	3	2	3
			Coude 4" x 87° (polypropylène) (Item #3)	3	2	3
			Té réducteur "D" x 4" (polypropylène) (Item #12)	3	2	3
			Coude 4" x 43° (polypropylène) (Item #11)	3	2	3
			Té réducteur "D" x 4" (polypropylène) (Item #12)	3	2	3
			Clapet de non-retour (Item #14)	2	3	3

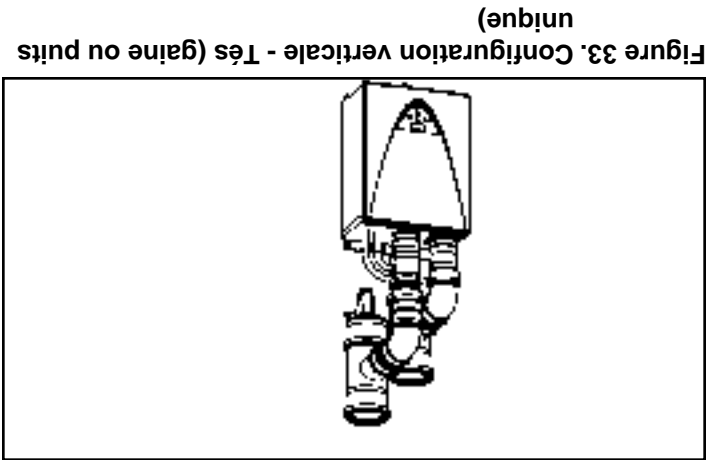


Figure 32. Composantes, configuration verticale - Tés (gaine ou puits unique)

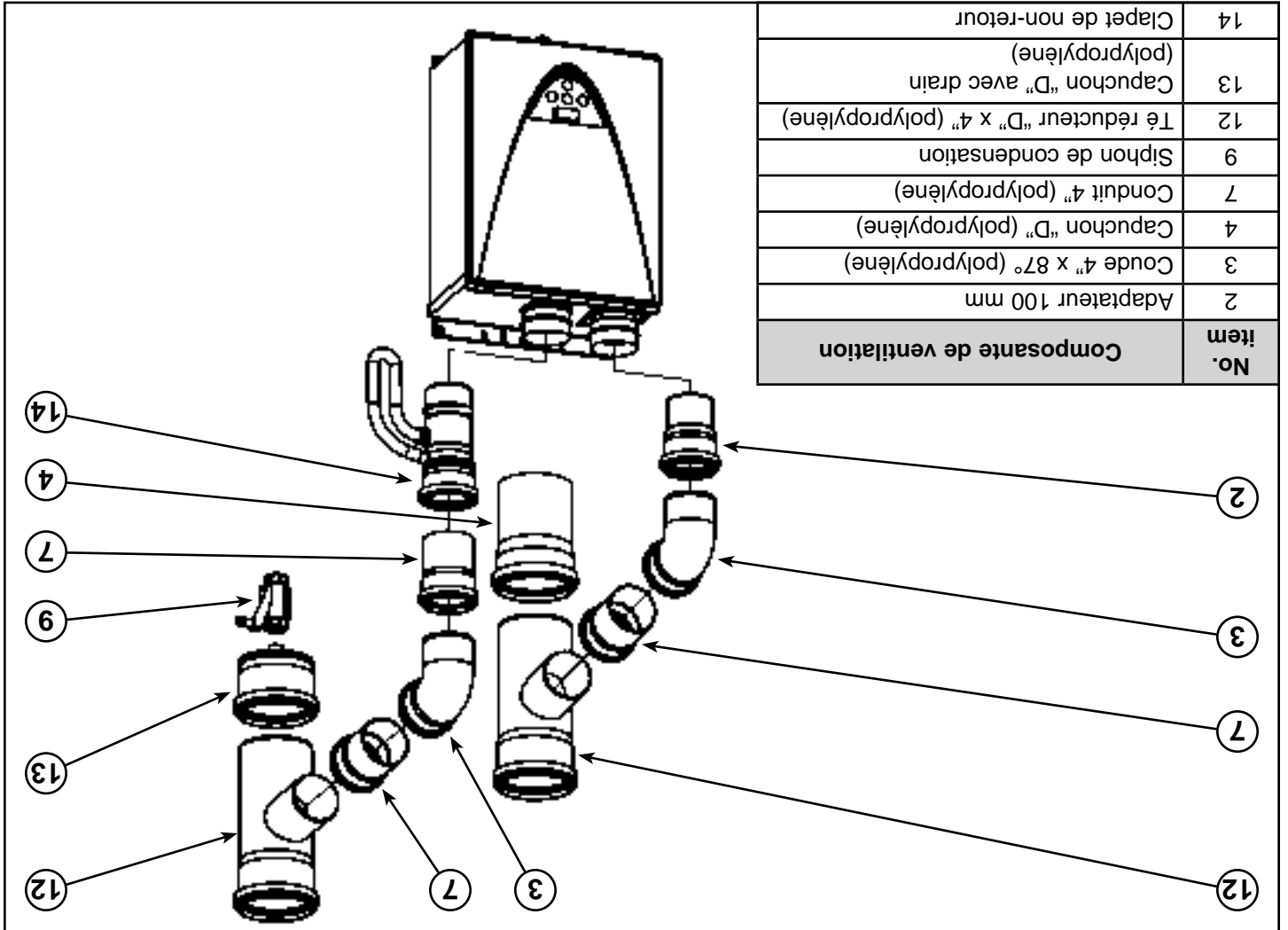


Tableau 10. Liste de composants de ventilation, configuration verticale - 3 voies (Y) (gaine ou puits unique)

No. de chauffe-ventilation commune	Composante de ventilation		Apport d'air		Evacuation		L'installateur doit fournir les sangles requises pour le support des conduits d'approvisionnement et d'évacuation. "D" = Diamètre du conduit commun
	2	3	2	3	2	3	
			Adaptateur 100 mm (Item #2)	3			
			Capuchon "D" (polypropylène) (Item #4)	3			
			Coude 4" x 43° (polypropylène) (Item #11)	4	6		
			Réducteur 3 voies "D" x 4" (polypropylène) (Item #5)	2	3		
			Coude 4" x 43° (polypropylène) (Item #11)	2	3		
			Clapet de non-retour (Item #14)	2	3		

Figure 31. Configuration verticale - 3 voies (Y) (gaine ou puits unique)

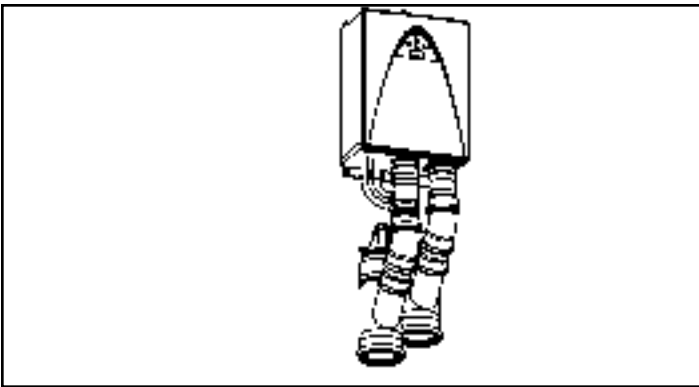
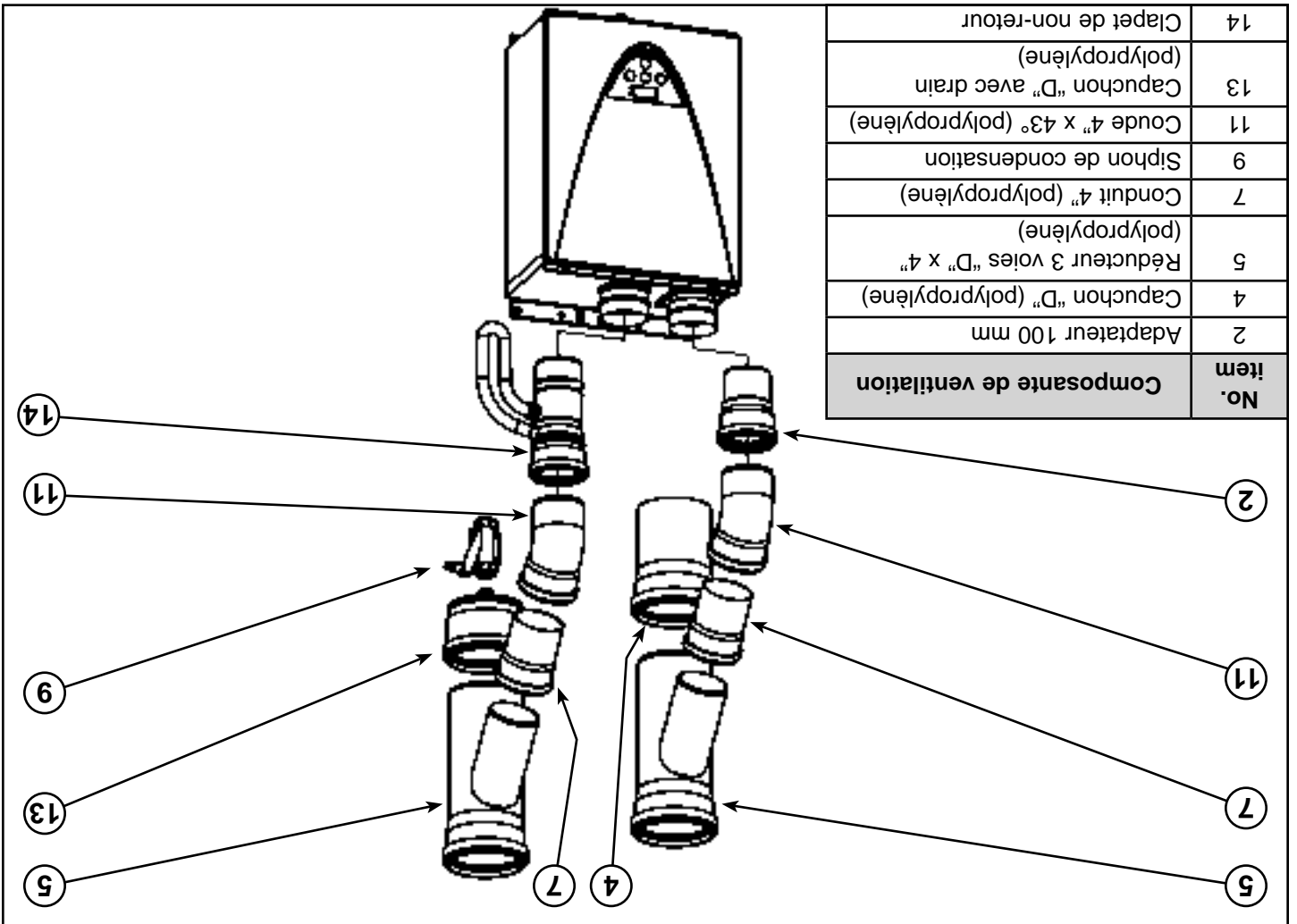


Figure 30. Composantes, configuration verticale - 3 voies (Y) (gaine ou puits unique)



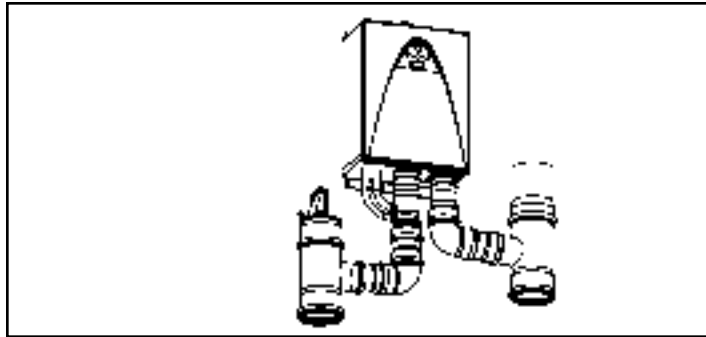


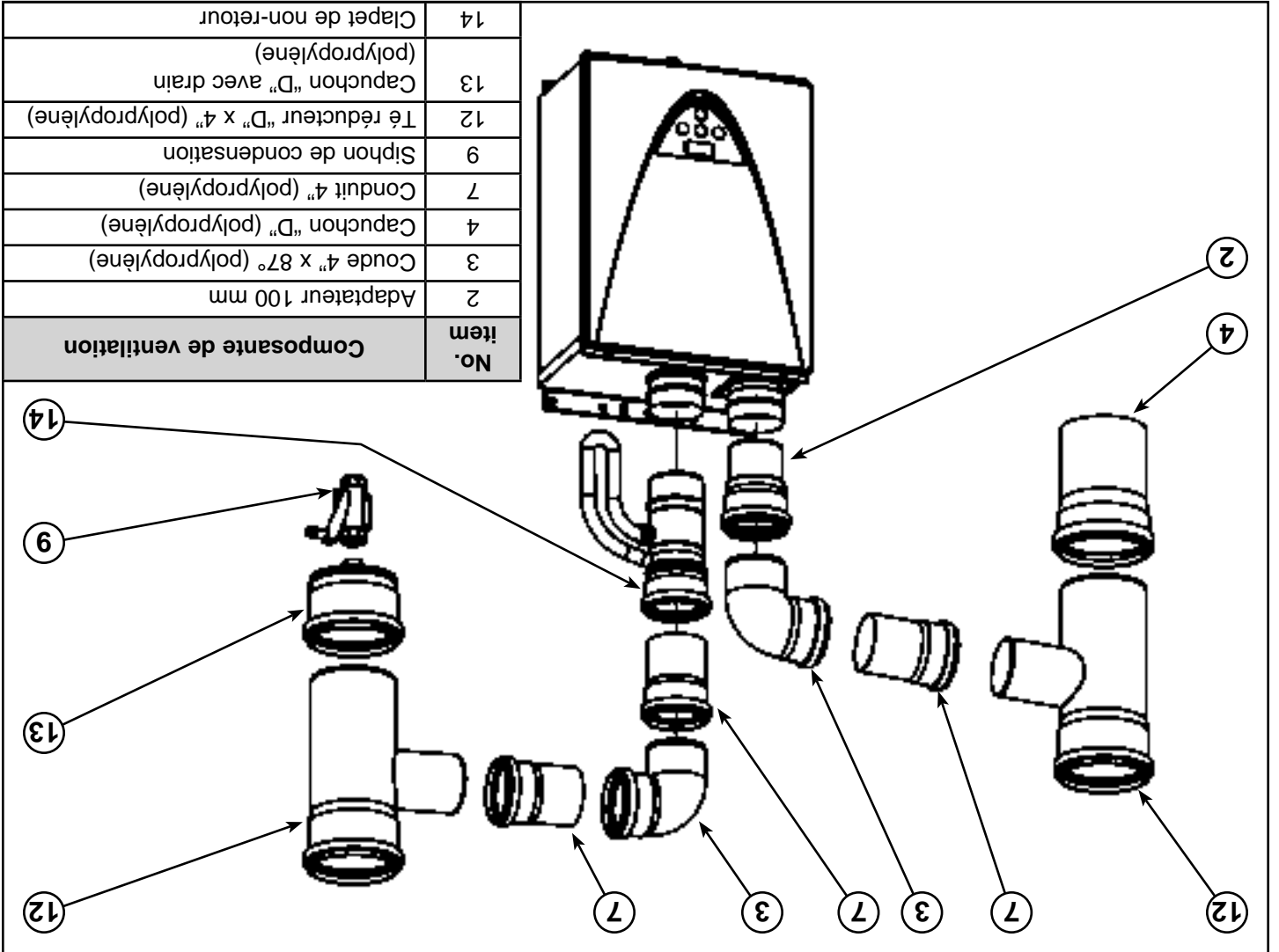
Figure 29. Configuration verticale - Tés (gainés ou puits séparés)

No. de chauffe-ventilation commune	Composante de ventilation		Apport d'air		Evacuation		
	2	3	Adaptateur 100 mm (Item #2)	2	3	CoUDE 4" x 87° (polypropylène) (Item #3)	2
		CoUDE 4" x 87° (polypropylène) (Item #3)	2	3	Tê réducteur "D" x 4" (polypropylène) (Item #12)	2	3
		CoUDE 4" x 87° (polypropylène) (Item #3)	2	3	Clapet de non-retour (Item #14)	2	3
		Tê réducteur "D" x 4" (polypropylène) (Item #12)	2	3	CoUDE 4" x 87° (polypropylène) (Item #3)	2	3
		Tê réducteur "D" x 4" (polypropylène) (Item #12)	2	3	Clapet de non-retour (Item #14)	2	3
		Tê réducteur "D" x 4" (polypropylène) (Item #12)	2	3	CoUDE 4" x 87° (polypropylène) (Item #3)	2	3

Tableau 9. Liste de composantes de ventilation, configuration verticale - Tés (gainés ou puits séparés)

"D" = Diamètre du conduit commun
 L'installateur doit fournir les sangles requises pour le support des conduits d'approvisionnement et d'évacuation.

Figure 28. Composantes, configuration verticale - Tés (gaines ou puits séparés)



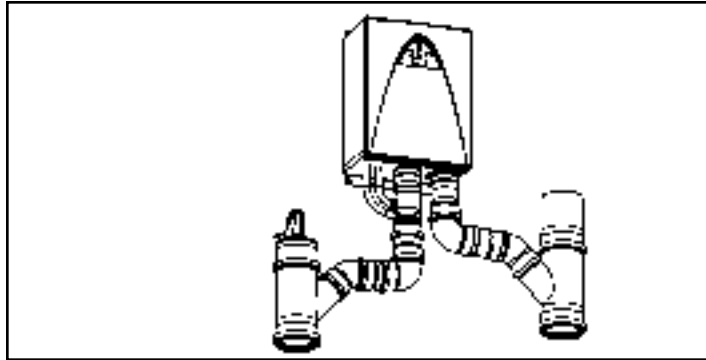


Figure 27. Configuration verticale (gaines ou puits séparés)

No. de chauffe-ventilation commune	Composante de ventilation		Apport d'air		Evacuation	
	No. de	Composante de ventilation	No. de	Composante de ventilation	No. de	Composante de ventilation
3	2	Adaptateur 100 mm (Item #2)	3	3	3	3
3	2	Coude 4" x 87° (polypropylène) (Item #3)	3	3	3	3
3	2	Réducteur 3 voies "D" x 4" (polypropylène) (Item #5)	3	3	3	3
3	2	Coude 4" x 43° (polypropylène) (Item #11)	3	3	3	3
3	2	Coude 4" x 87° (polypropylène) (Item #3)	3	3	3	3
3	2	Réducteur 3 voies "D" x 4" (polypropylène) (Item #5)	3	3	3	3
3	2	Coude 4" x 43° (polypropylène) (Item #11)	3	3	3	3
3	2	Clapet de non-retour (Item #14)	3	3	3	3

Tableau 8. Liste de composantes de ventilation, configuration verticale - 3 voies (Y) (gaines ou puits séparés)

"D" = Diamètre du conduit commun
 L'installateur doit fournir les sangles requises pour le support des conduits d'approvisionnement et d'évacuation.

CONFIGURATION VERTICALE (CONDUIT EN POLYPROPYLENE)

Gaines ou puits séparés

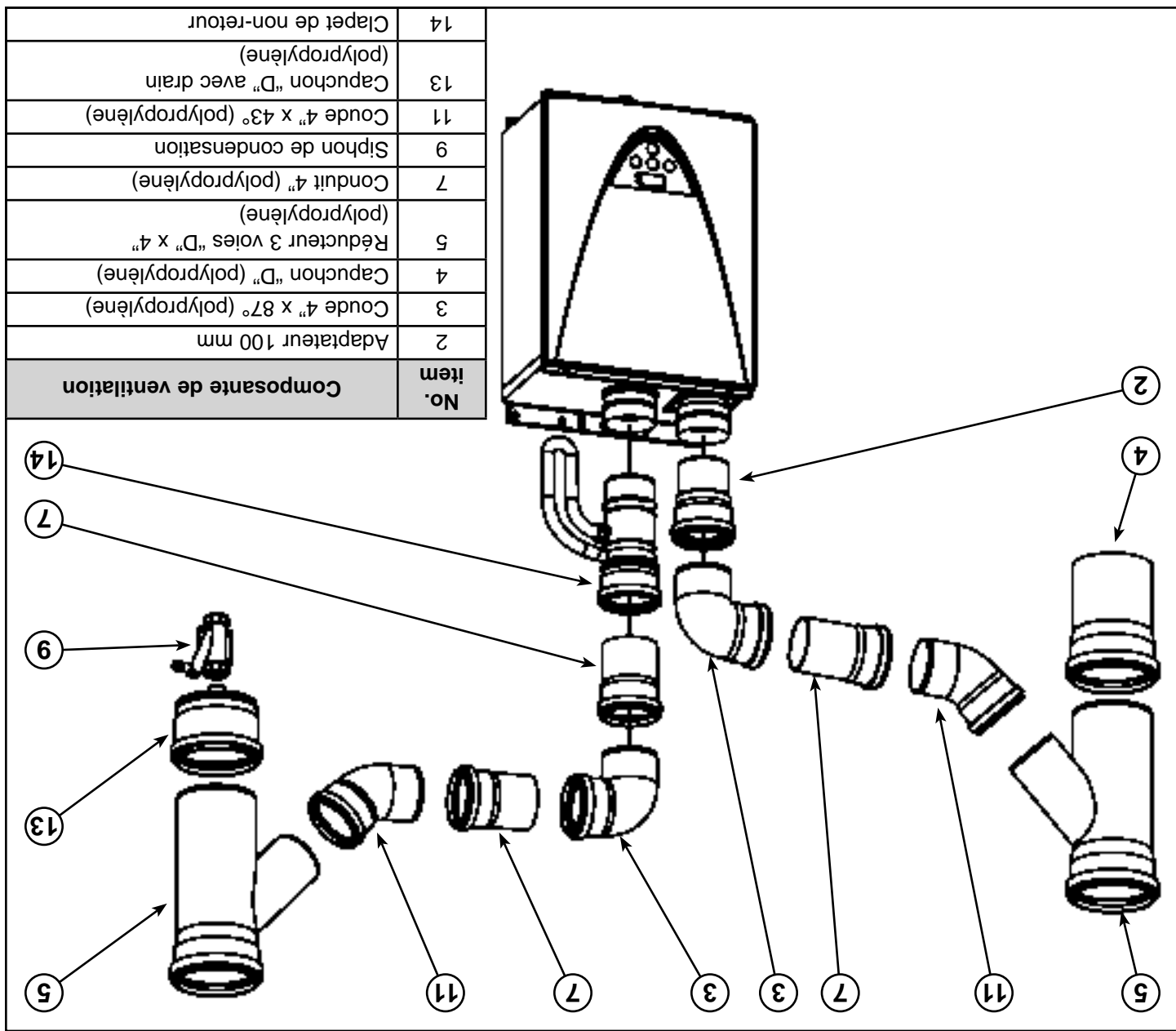


Figure 26. Composantes, configuration verticale (gaines ou puits séparés)

Tableau 7. Liste des composantes de ventilation, configuration verticale (gaine ou puits unique)

No. de chauffe-ventilation commune	Composante de ventilation		Apport d'air				Evacuation				
	No. de	ventilation commune	Réducteur 4" x 3" (PVC) (item #15)	Réducteur 3 voies (Y) "D" x 4" (PVC) (item #18)	Coude 4" x 45° (PVC) (item #27)	Coude mâle/femelle (street) 4" x 45° (PVC) (item #31)	Clapet de non-retour (item #14)	Réducteur 3 voies (Y) "D" x 4" (PVC) (item #18)	Manchon 4" (PVC) (item #20)	Adaptateur polypropylène à PVC (item #21)	Coude mâle/femelle (street) 4" x 45° (PVC) (item #31)
2	3	2	3	3	2	2	3	2	2	2	3

* Tous les conduits et raccords en PVC doivent être de calibre Schedule 40.
 "D" = Diamètre du conduit commun
 L'installateur doit fournir les sangles requises pour le support des conduits d'approvisionnement et d'évacuation.

Figure 25. Configuration verticale (gaine ou puits unique)

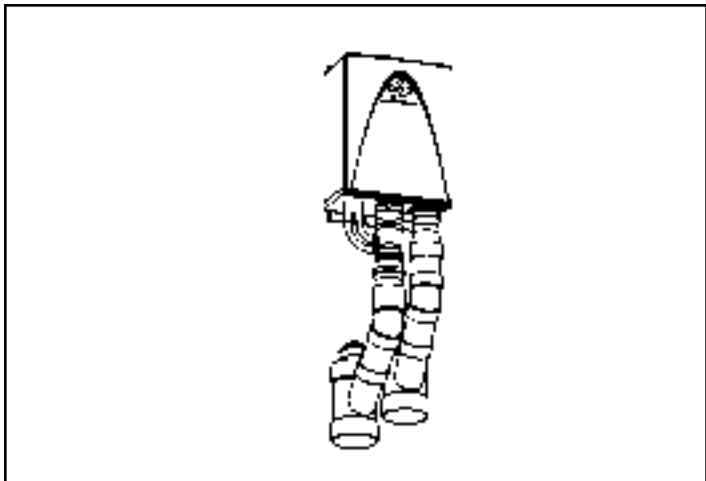


Figure 24. Composantes, configuration verticale (gaine ou puits unique)

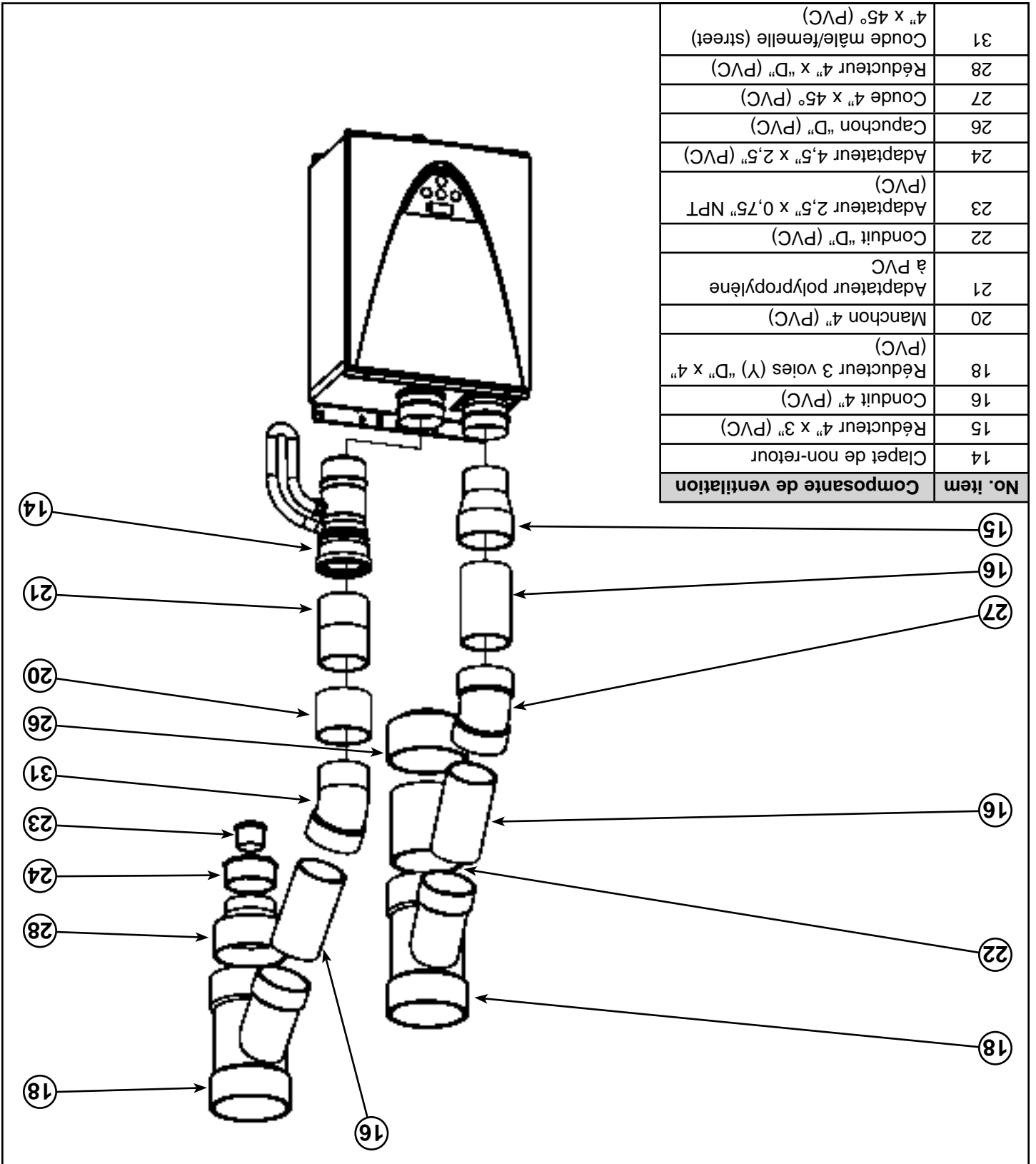


Tableau 6. Liste des composantes de ventilation, configuration verticale (gaines ou puits séparés)

No. de chauffe-ventilation commune	Composante de ventilation		Apport d'air		Evacuation	
	No. de	Quantité	No. de	Quantité	No. de	Quantité
3	2	Réducteur 4" x 3" (PVC) (Item #15)	3	2	3	2
			3	2	3	2
			3	2	3	2
			3	2	3	2
			3	2	3	2
			3	2	3	2
			3	2	3	2
			3	2	3	2
			3	2	3	2
			3	2	3	2
* Tous les conduits et raccords en PVC doivent être de calibre Schedule 40. "D" = Diamètre du conduit commun. L'installateur doit fournir les sangles requises pour le support des conduits d'approvisionnement et d'évacuation.						

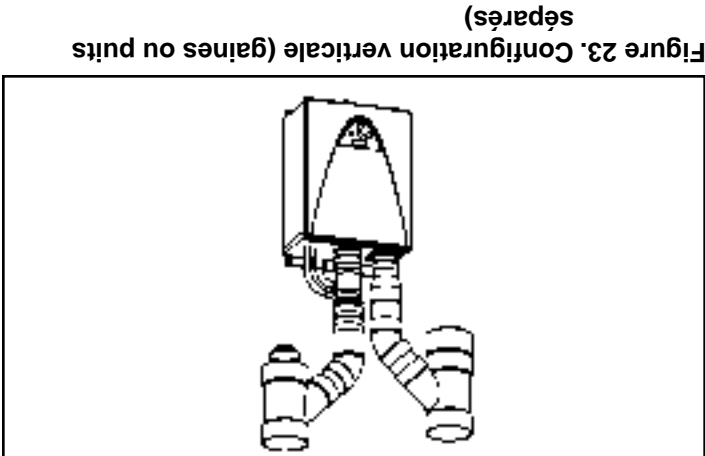


Figure 23. Configuration verticale (gaines ou puits séparés)

CONFIGURATION VERTICALE (CONDUIT EN PVC SCHEDULE 40)
Gaines ou puits séparés

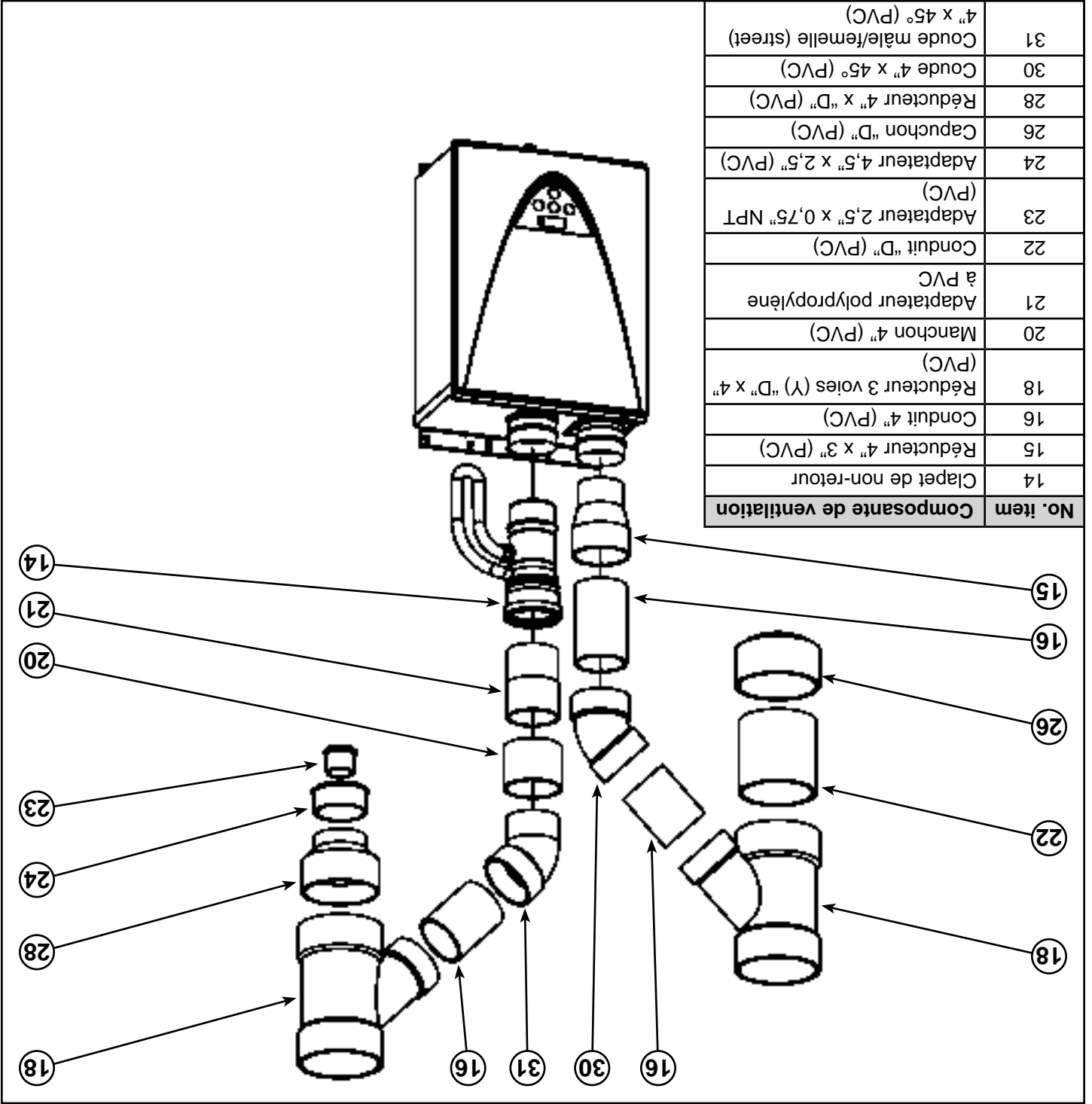


Figure 22. Composantes, configuration verticale (gaines ou puits séparés)

Composante de ventilation		No. de															
		côte à côte chauffe-eau à ventilation commune															
Apport d'air	Adaptateur 100 mm (item #2)	2	3	4	5	6	7	8	Évacuation	Clapet de non-retour (item #14)	2	3	4	5	6	7	8
	CoUDE 4" x 87° (polypropylène) (item #3)	2	3	4	5	6	7	8		Réducteur 3 voies "D" x 4" (polypropylène) (item #5)	2	3	4	5	6	7	8
Apport d'air	Réducteur 3 voies "D" x 4" (polypropylène) (item #5)	2	3	4	5	6	7	8	Évacuation	CoUDE 4" x 87° (polypropylène) (item #3)	2	3	4	5	6	7	8
	CoUDE 4" x 87° (polypropylène) (item #5)	2	3	4	5	6	7	8		Réducteur 3 voies "D" x 4" (polypropylène) (item #5)	2	3	4	5	6	7	8

Tableau 5. Liste des composantes de ventilation, configuration horizontale (côte à côte)

"D" = Diamètre du conduit commun
 L'installateur doit fournir les sangles requises pour le support des conduits d'alimentation et d'évacuation.

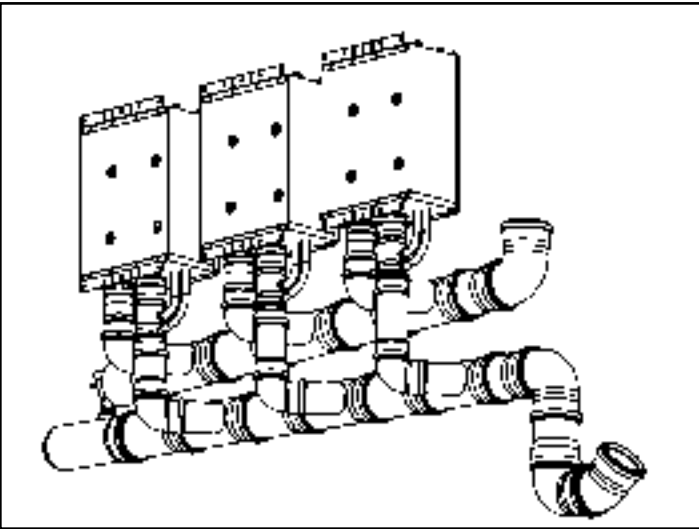


Figure 20. Configuration horizontale (côte à côte)

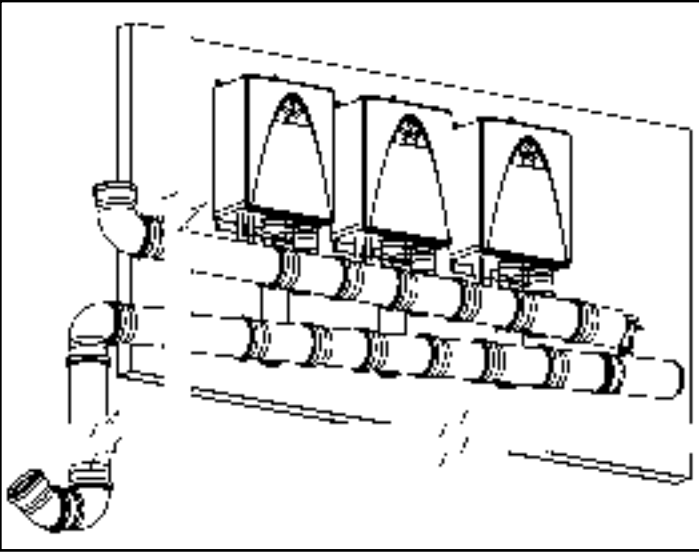


Figure 21. Configuration horizontale (côte à côte, mur)

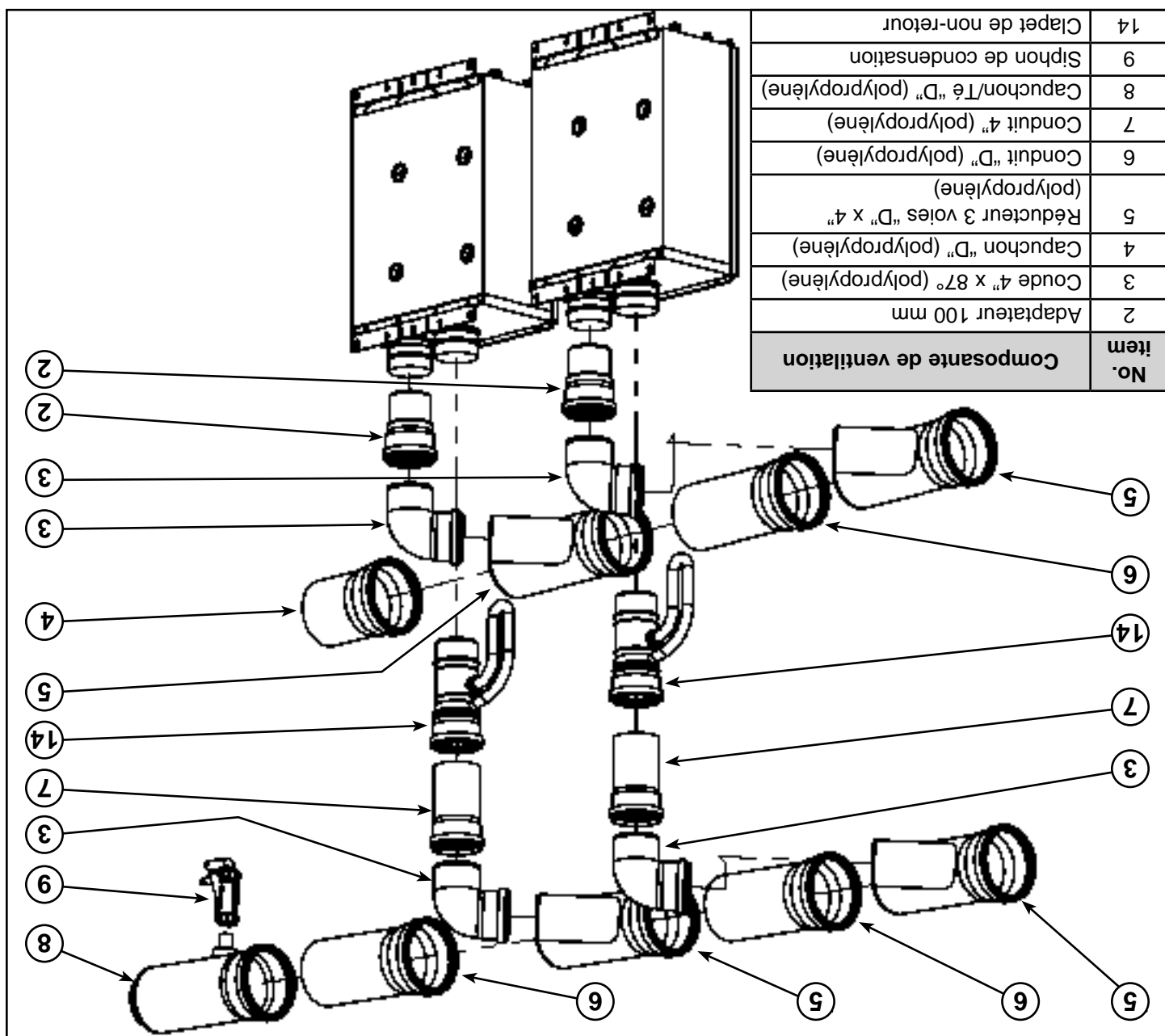


Figure 19. Composantes, configuration horizontale (côte à côte)

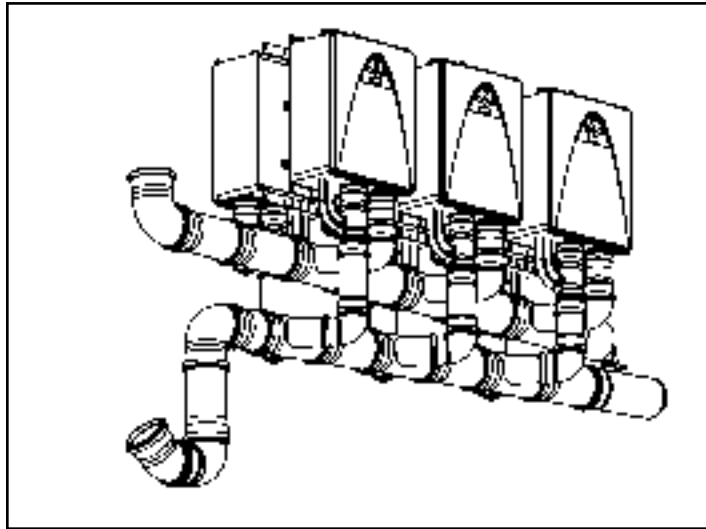


Figure 18. Configuration horizontale (dos à dos)

No. de chauffe-eau dos à dos à ventilation commune	Composante de ventilation								Apport d'air		Evacuation											
	2	3	4	5	6	7	8	2	3	4	5	6	7	8	0	1	2	3	4			
	Adaptateur 100 mm (Item #2)								Coude 4" x 87° (polypropylène) (Item #3)		Réducteur 3 voies "D" x 4" (polypropylène) (Item #5)		Coude 4" x 87° (polypropylène) (Item #3)				Réducteur 3 voies "D" x 4" (polypropylène) (Item #5)					
									Coude 4" x 87° (polypropylène) (Item #3)		Réducteur 3 voies "D" x 4" (polypropylène) (Item #5)		Coude 4" x 87° (polypropylène) (Item #3)		Coude 4" x 87° (polypropylène) (Item #3)				Réducteur 4 voies "D" x 4" (polypropylène) (Item #10)			
													Clapet de non-retour (Item #14)				Clapet de non-retour (Item #14)					

Tableau 4. Liste des composantes de ventilation, configuration horizontale (dos à dos)

"D" = Diamètre du conduit commun
 L'installateur doit fournir les sangles requises pour le support des conduits d'approvisionnement et d'évacuation.

CONFIGURATION HORIZONTALE - (CONDUIT EN POLYPROPYLENE)

Dos à dos

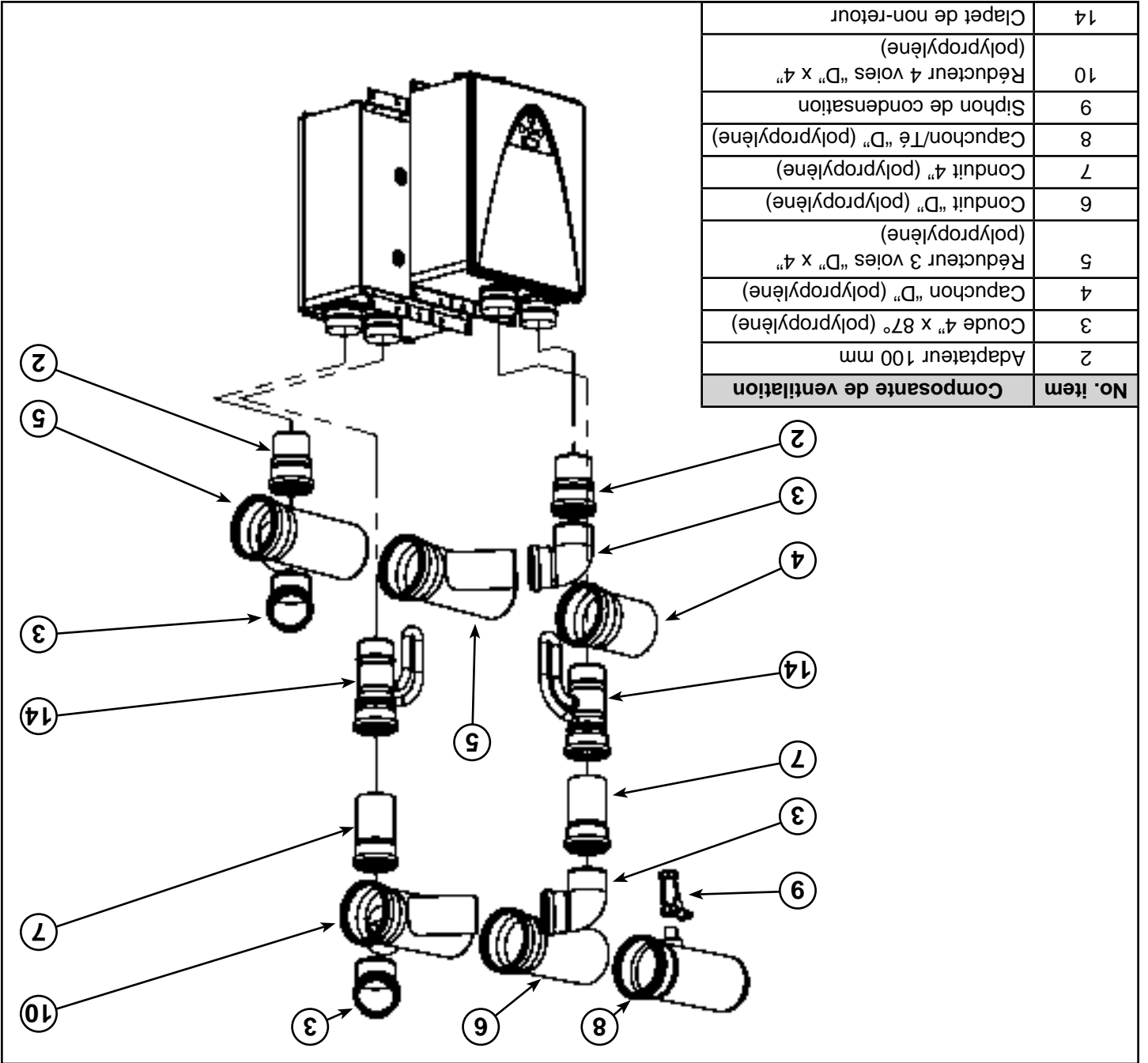


Figure 17. Composantes, configuration horizontale (dos à dos)

Tableau 3. Liste des composantes de ventilation, configuration horizontale (côte à côte)

No. de chauffe-eau côte à côte à ventilation commune	Composante de ventilation							Apport d'air		Évacuation											
	2	3	4	5	6	7	8	Réducteur 4" x 3" (PVC) (Item #15)	Coûde mâle/femelle (street) 4" x 90° (PVC) (Item #17)	Réducteur 3 voies (Y) "D" x 4" (PVC) (Item #18)	Clapet de non-retour (Item #14)	Coûde mâle/femelle (street) 4" x 90° (PVC) (Item #17)	Réducteur 3 voies (Y) "D" x 4" (PVC) (Item #18)	Manchon 4" (PVC) (Item #20)	Adaptateur polypropylène à PVC (Item #21)	2	3	4	5	6	7
	* Tous les conduits et raccords en PVC doivent être de calibre Schedule 40. "D" = Diamètre du conduit commun L'installateur doit fournir les sangles requises pour le support des conduits d'alimentation et d'évacuation.																				

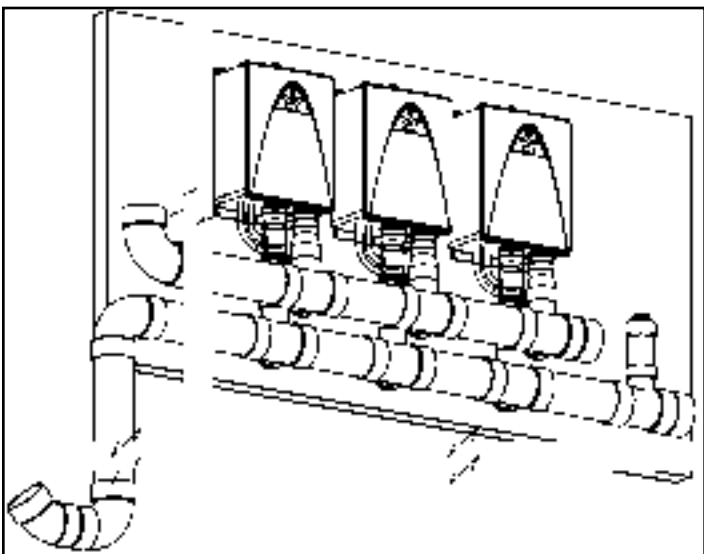


Figure 15. Configuration horizontale (côte à côte)

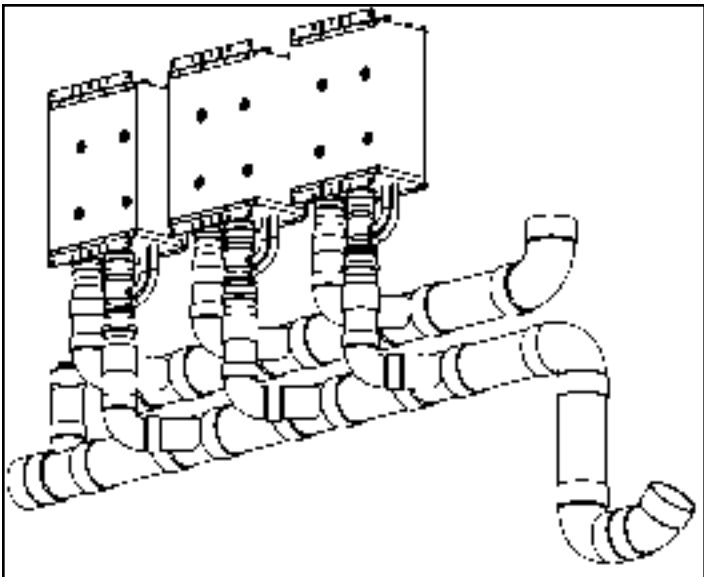


Figure 16. Configuration horizontale (côte à côte, mur)

No. item	Composante de ventilation
14	Clapet de non-retour
15	Réducteur 4" x 3" (PVC)
16	Conduit 4" (PVC)
17	Coude mâle/femelle (street) 4" x 90° (PVC)
18	Réducteur 3 voies (Y) "D" x 4" (PVC)
20	Manchon 4" (PVC)
21	Adaptateur polypropylène à PVC
22	Conduit "D" (PVC)
23	Adaptateur 2,5" x 0,75" NPT (PVC)
24	Adaptateur 4,5" x 2,5" (PVC)
25	Réducteur 4" x 5" (PVC)
26	Capuchon "D" (PVC)
29	Tête réducteur "D" x 4" (PVC)

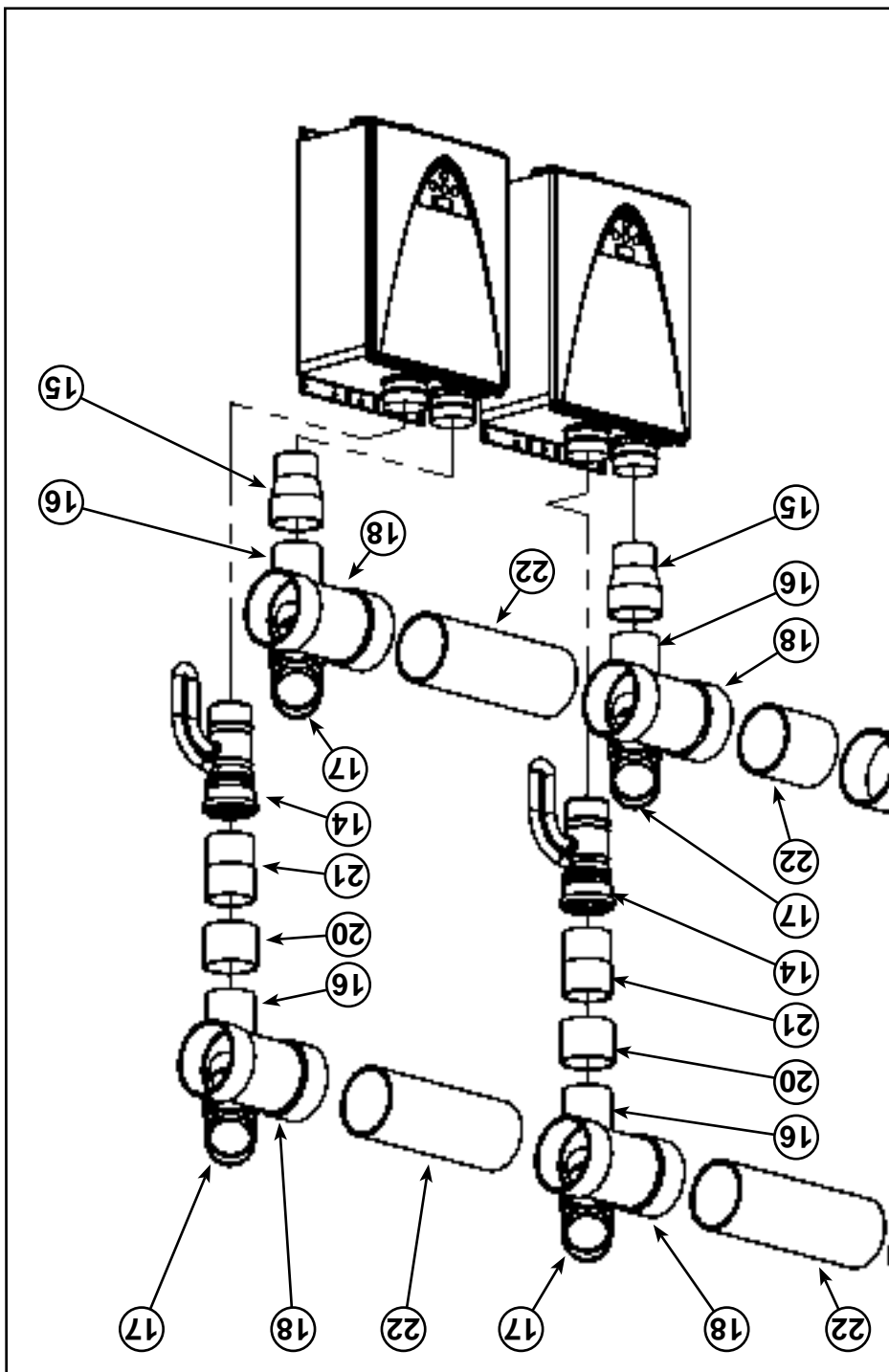


Figure 14. Composantes, configuration horizontale (côte à côte)

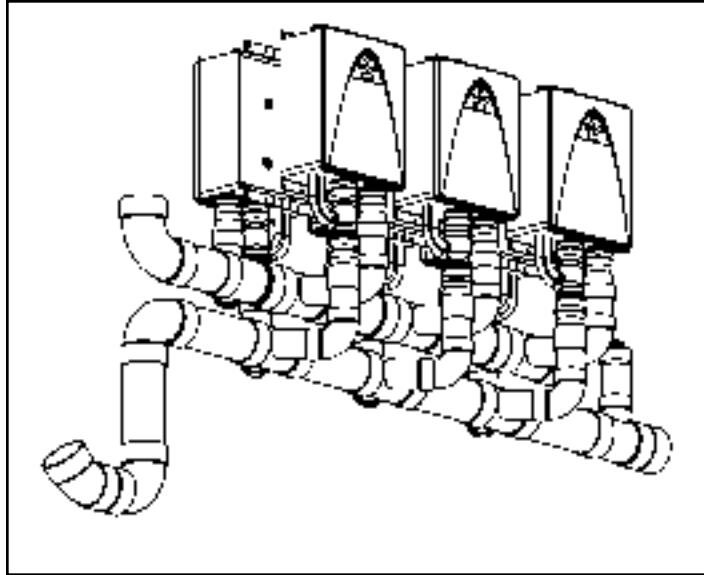


Figure 13. Configuration horizontale (dos à dos)

Composante de ventilation	No. de chauffe-eau dos à dos à ventilation commune								
	2	3	4	5	6	7	8		
Apport d'air	Réducteur 4" x 3" (PVC) (Item #15)	2	3	4	5	6	7	8	
	Coûde mâle/femelle (street) 4" x 90° (PVC) (Item #17)	2	3	4	5	6	7	8	
	Réducteur 3 voies (Y) "D" x 4" (PVC) (Item #18)	2	3	4	5	6	7	8	
	Évacuation	Clapet de non-retour (Item #14)	2	3	4	5	6	7	8
		Coûde mâle/femelle (street) 4" x 90° (PVC) (Item #17)	2	3	4	5	6	7	8
		Réducteur 3 voies (Y) "D" x 4" (PVC) (Item #18)	0	1	0	1	0	1	0
	Réducteur 4 voies (Y) "D" x 4" (PVC) (Item #19)	1	1	2	2	3	3	4	
	Manchon 4" (PVC) (Item #20)	2	3	4	5	6	7	8	
	Adaptateur polypropylène à PVC (Item #21)	2	3	4	5	6	7	8	

Tableau 2. Liste des composantes de ventilation, configuration horizontale (dos à dos)
 * Tous les conduits et raccords en PVC doivent être de calibre Schedule 40.
 "D" = Diamètre du conduit commun
 L'installateur doit fournir les sangles requises pour le support des conduits d'alimentation et d'évacuation.

Les pages suivantes présentent les vues en éclaté de toutes les configurations de ventilation possibles (horizontales et verticales), avec des conduits en PVC et en polypropylène. Chacune de ces figures contient aussi un tableau qui présente le nombre de composantes requises en fonction du nombre de chauffe-eau raccordés en ventilation commune.

CONFIGURATION HORIZONTALE - (CONDUIT EN PVC SCHEDULE 40)

Dos à dos

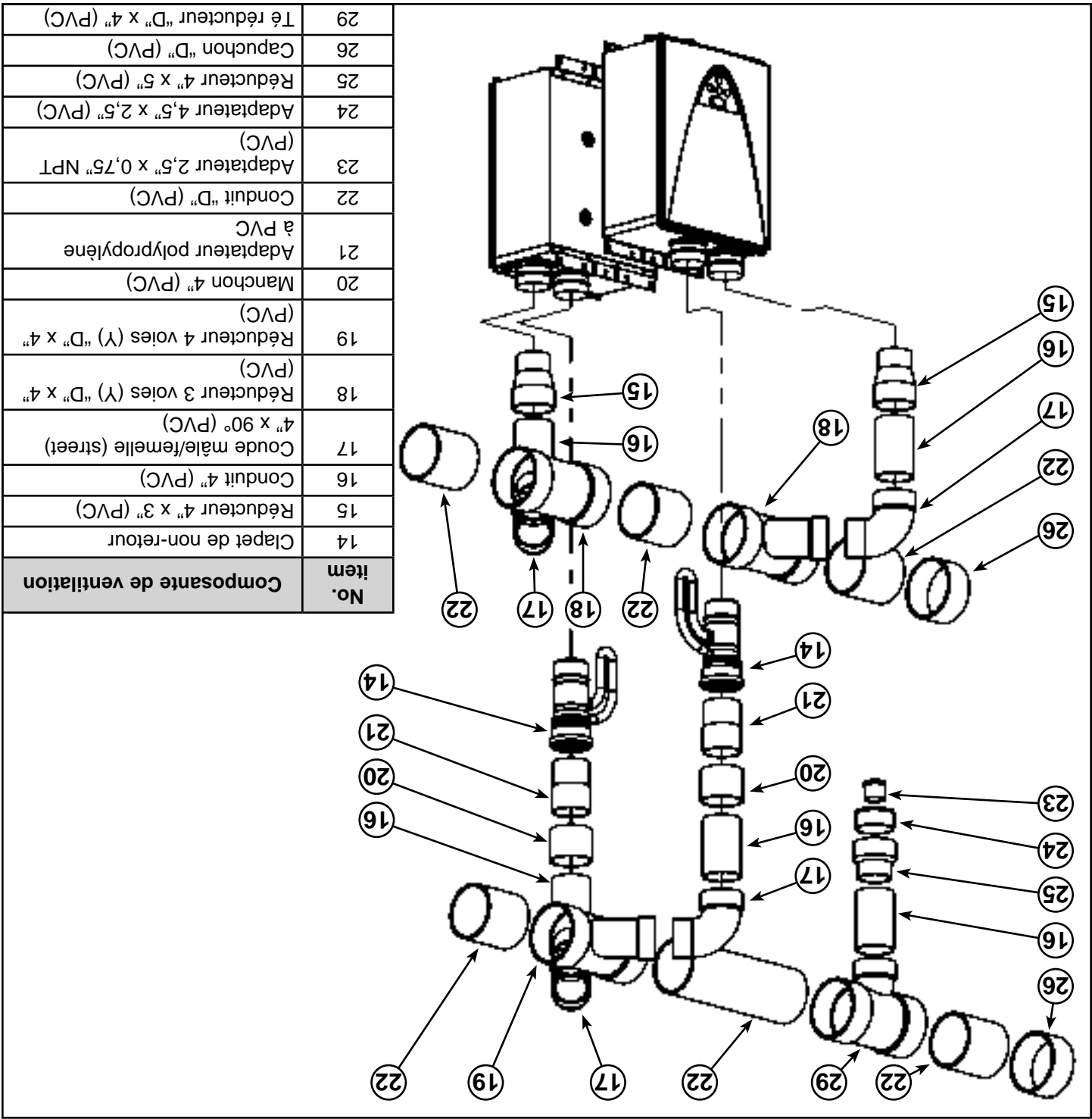
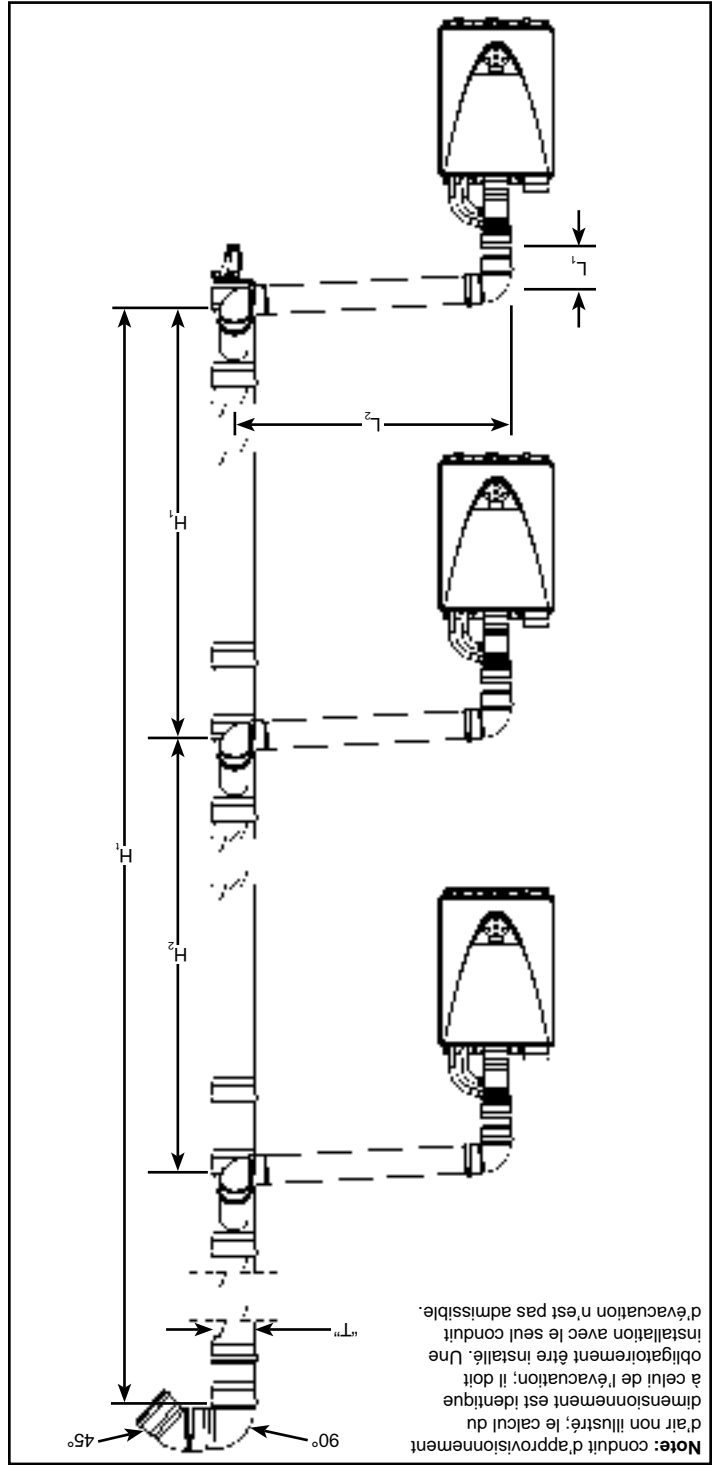


Figure 12. Composantes, configuration horizontale (dos à dos)

Figure 11. Dimensionnement des conduits



Configuration verticale
 En configuration verticale (multiniveau), le nombre maximal de chauffe-eau à ventilation commune est de 3. La longueur équivalente maximale d'un conduit de ventilation commune à la verticale est de 100 pi (30 m) s'il possède un diamètre de 8 po sur toute sa longueur.
 Voici les autres exigences de dimensionnement à respecter (approvisionnement et évacuation) (voir Figure 11):

DÉGAGEMENTS

NOTE: respectez les distances de dégagement des terminaisons spécifiées dans les codes locaux et nationaux. En l'absence de codes locaux, les distances de dégagement spécifiées ci-dessous peuvent être utilisées. Les codes locaux ont priorité sur les distances de dégagement présentées ci-dessous.

Terminaisons à travers le mur

Dans le cas où on retrouve plusieurs terminaisons d'évacuation murales (ex.: système multi chauffe-eau), les terminaisons d'évacuation doivent se trouver à au moins 1 pi (305 mm) les unes des autres. Toute terminaison d'évacuation doit aussi se trouver à au moins 2 pi (610 mm) d'un coin intérieur. Si le mur adjacents à une longueur inférieure à 2 pi (610 mm), la terminaison ne peut se terminer à une distance inférieure à celle du mur adjacents.

Dans le cas d'une terminaison d'évacuation directe murale faisant appel à deux conduits séparés (approvisionnement et évacuation), veuillez respecter les distances de dégagement indiquées dans le Manuel d'installation et Guide du propriétaire.

La terminaison d'évacuation ou la terminaison concentrique d'un appareil à évacuation directe doit se trouver à au moins 2 pi (610 mm) d'un mur ou d'une surface opposée. Une terminaison ne doit jamais être installée devant une ouverture d'un bâtiment.

Terminaisons à travers le toit

Toute terminaison d'évacuation doit se trouver à au moins 1 pi (305 mm) de toute obstruction.

1. Distances de dégagement entre plusieurs terminaisons d'approvisionnement et d'évacuation – à travers le mur ou le toit): respectez les dégagements illustrés dans les diagrammes du Manuel d'installation et Guide du propriétaire.

Note: conduit d'alimentation dimensionnement est identique à celui de l'évacuation; il doit obligatoirement être installé avec le seul conduit d'évacuation n'est pas admissible.

ÉTABLISSEMENT DU DIAMÈTRE DES CONDUITS

COMMUNS

Configuration horizontale

Pour établir le diamètre de conduit de ventilation commun (D), il faut d'abord connaître la longueur équivalente totale des conduits de raccordement, ainsi que le nombre de chauffe-eau. La longueur équivalente totale (L) est la somme de la plus longue distance horizontale (H) et de la longueur verticale (V), plus une longueur équivalente de 5 pi (1,5 m) pour chacun des coudes à 90° (deux max.).

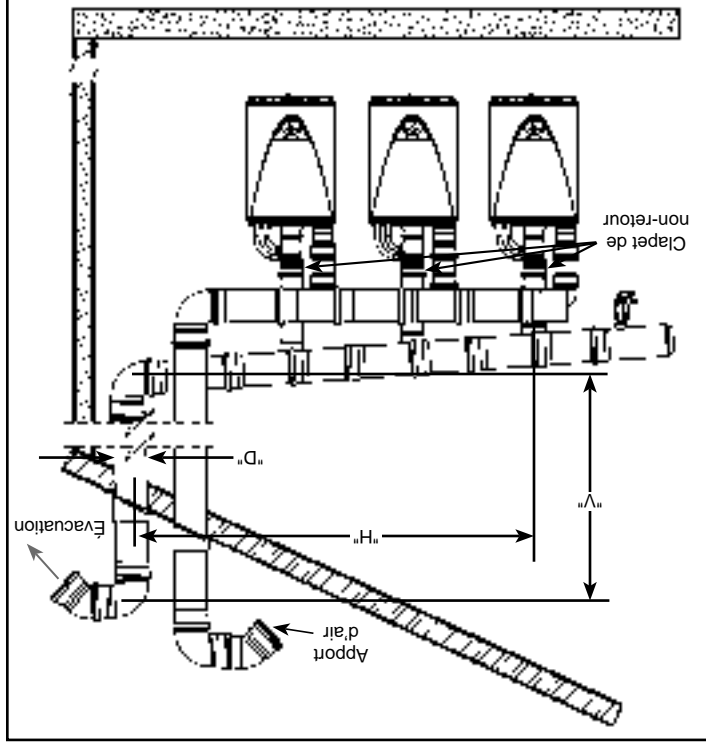
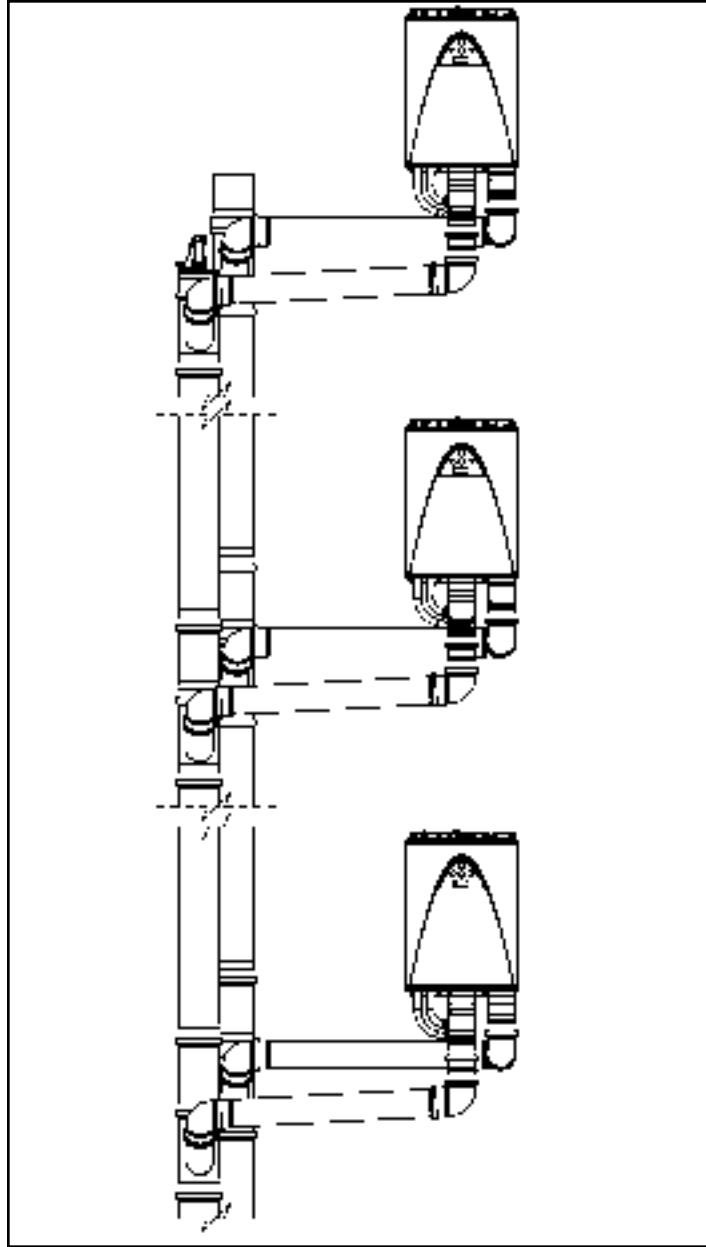


Figure 10. Dimensionnement des conduits

Notes:

- Longueur équivalente totale (L) = H + V + (nb de coude x 5) (en pieds)
- Diamètre conduit="D"
- Pour connaître l'écart minimal entre la terminaison du conduit d'évacuation et celle d'approvisionnement d'air, reportez-vous au Manuel d'installation et Guide du propriétaire.
- Une fois connue la longueur L, Figure 3 reportez-vous à la Figure 3 pour trouver le diamètre requis pour le conduit de ventilation commune. À noter: il faut aussi considérer le nombre de chauffe-eau raccordés au conduit de ventilation commune. Par exemple, pour 4 chauffe-eau et une longueur L de 60 pi (18 m), le conduit de ventilation commune doit avoir un diamètre de 8 po.
- La procédure est la même tant pour l'approvisionnement d'air que l'évacuation.
- Installez une grille anti-vermine dans chacune des terminaisons afin de bloquer l'entrée de tout corps étranger (la grille doit avoir un quadrillé minimum de 3/4 po (19 mm)).

Figure 9. Ventilation verticale dans une gaine ou un puits unique



admissible entre le chauffe-eau et le conduit commun principal est de 10 pi (3 m), avec seulement deux coudes. Le conduit de raccordement au conduit commun doit avoir un diamètre de 4 po.

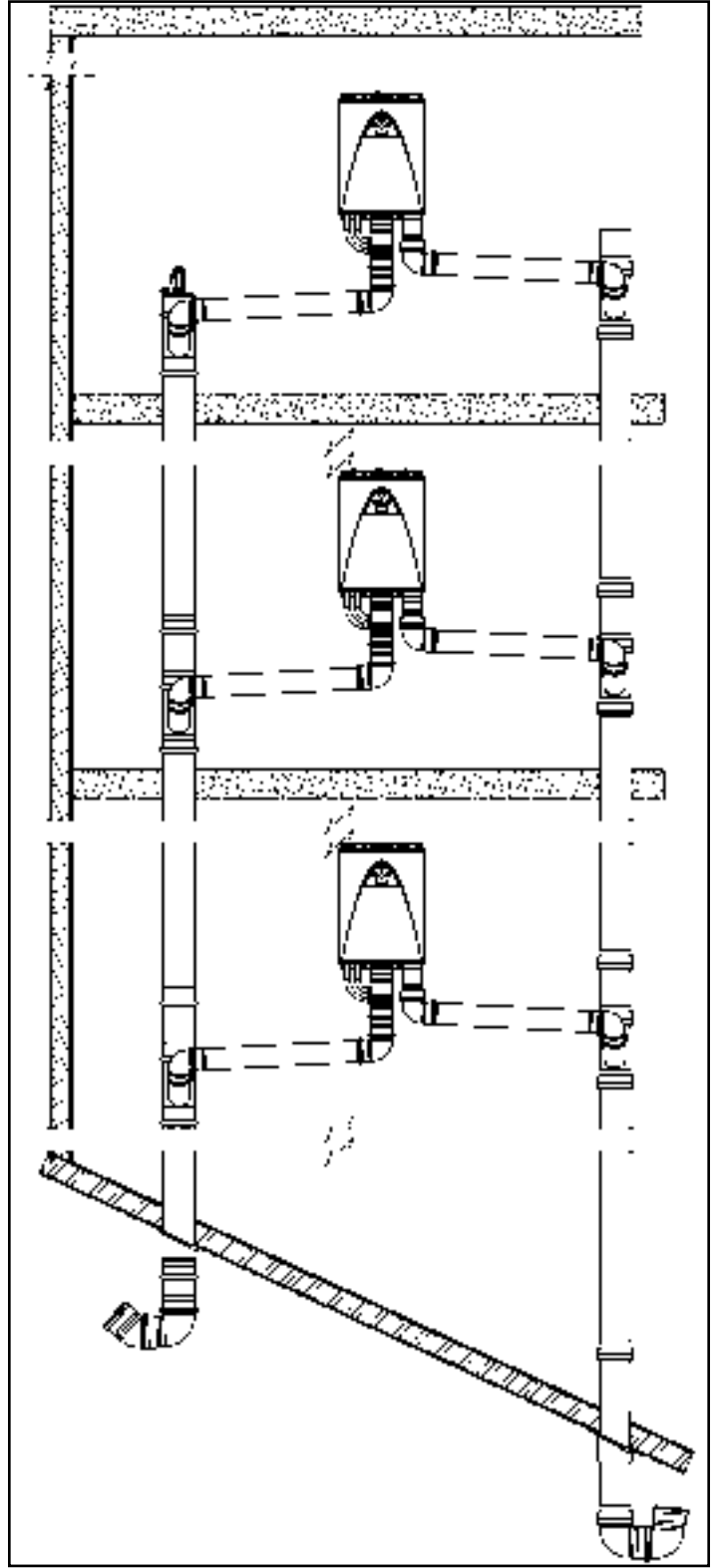


Figure 7. Ventilation verticale à travers le toit

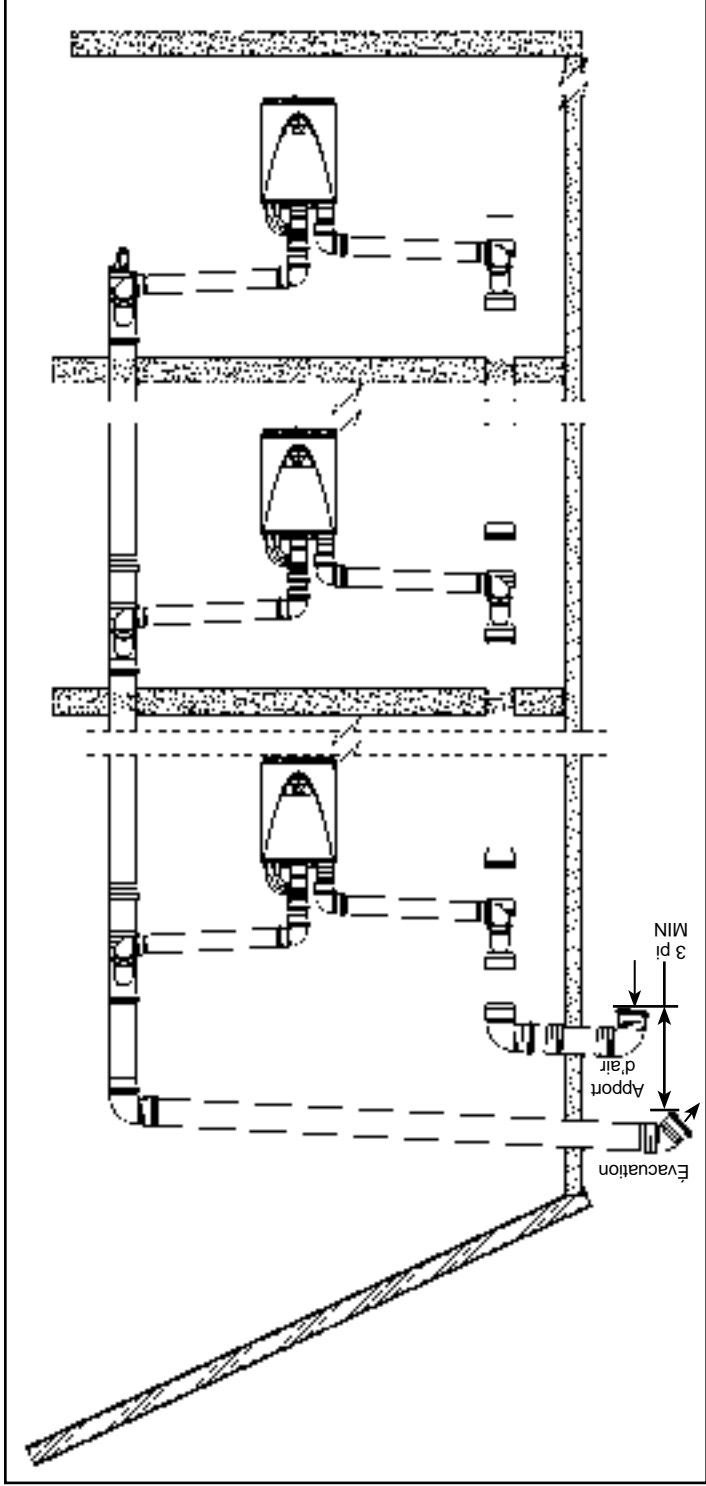


Figure 8. Ventilation verticale à travers le mur

TYPES DE VENTILATION COMMUNE

Horizontal (côte à côte)

Il est possible de raccorder jusqu'à 8 chauffe-eau à condensation à un conduit de ventilation commune, en configuration côte à côte ou dos à dos. Il est préférable d'effectuer le raccordement au conduit commun à l'aide d'un raccord réducteur à 3 voies (Y), mais il est acceptable d'utiliser un réducteur en té. La longueur maximale admissible entre le chauffe-eau et le conduit commun principal est de 10 pi (3 m), avec au plus un seul coude. Le conduit de raccordement au conduit commun doit avoir un diamètre de 4 po. Le conduit d'évacuation doit maintenir une pente ascendante de 1/4 po par pied (21 mm par mètre) ou selon les exigences des codes locaux.

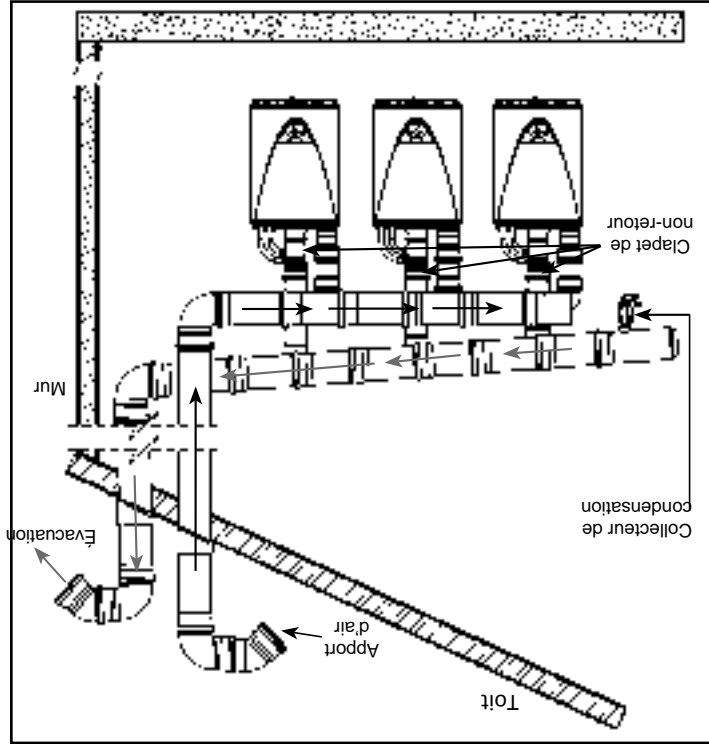


Figure 4. Installation typique, ventilation commune à travers le toit

Vertical (multiniveau)

Il est aussi possible de raccorder des chauffe-eau à condensation à des conduits verticaux de ventilation commune. En configuration verticale (multiniveau), le nombre maximal de chauffe-eau à ventilation commune est de 3. Il est préférable d'effectuer le raccordement au conduit commun à l'aide d'un raccord réducteur à 3 voies (Y), mais il est acceptable d'utiliser un réducteur en té. La longueur maximale

6

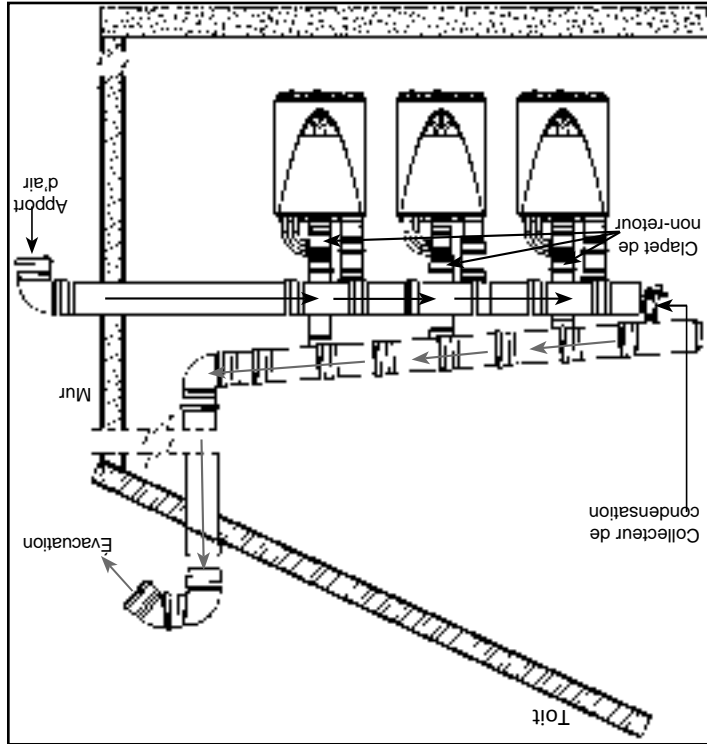


Figure 5. Installation typique, ventilation commune à travers le mur

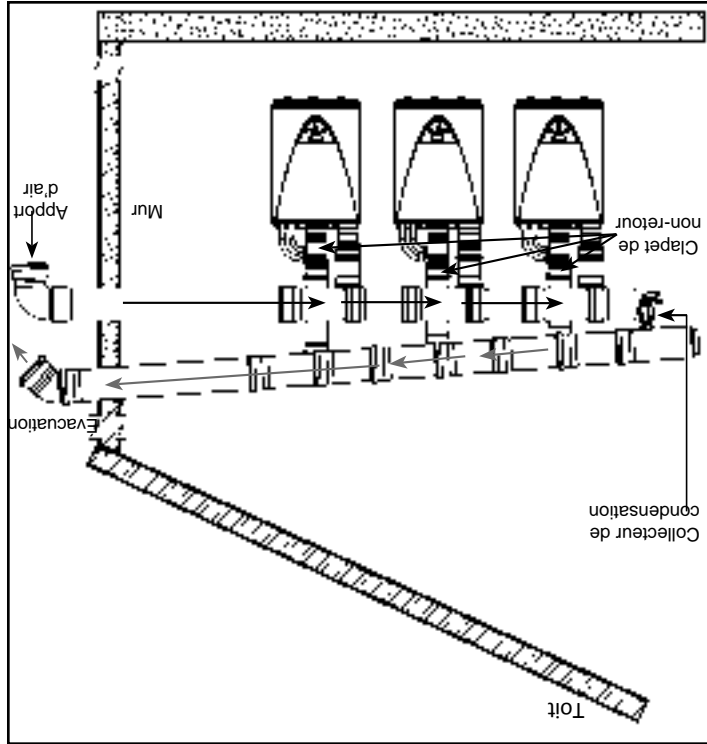


Figure 6. Installation typique, ventilation commune combinée (mur / toit)

100271266

Figure 3. Dimensionnement des conduits de ventilation

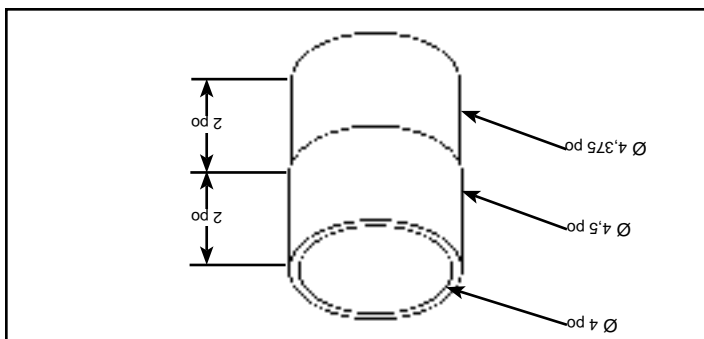
Système de ventilation commune		Nb. max de chauffe-eau		Longueur équivalente		Régilages micro-interrupteurs			
Diamètre conduit* (D)	Horiz.	Vert.	max.** (L) Apport et évacuation (chacun)		540 intérieur (T-H3-DV) (micro-interrupteurs supérieurs)		540 intérieur (T-H3-DV) (micro-interrupteurs supérieurs)		
			240 intérieur (T-H3J-DV)	340 intérieur (T-H3S-DV)	ON	OFF			
8 po (200 mm)	Horiz.	Vert.	2	25 pi (7,6 m)	ON	OFF	1 2 3 4 5 6 7 8	No.3: ON No.4: OFF	
			2	25 pi (7,6 m)	ON	OFF	1 2 3 4 5 6 7 8		
			2	20 pi (6,1 m)	ON	OFF	1 2 3 4 5 6 7 8		
			3	20 pi (6,1 m)	ON	OFF	1 2 3 4 5 6 7 8 9 10		No.6: ON No.7: OFF
			3	75 pi (22,9 m)	ON	OFF	1 2 3 4 5 6 7 8 9 10		
			2	100 pi (30,5 m)	ON	OFF	1 2 3 4 5 6 7 8 9 10		
	2	50 pi (15,2 m)	ON	OFF	1 2 3 4 5 6 7 8 9 10				
	4	50 pi (15,2 m)	ON	OFF	1 2 3 4 5 6 7 8 9 10				
	5	25 pi (7,6 m)	ON	OFF	1 2 3 4 5 6 7 8 9 10				
	6 po (160 mm)	Horiz.	Vert.	2	25 pi (7,6 m)	ON	OFF	1 2 3 4 5 6 7 8	No.3: ON No.4: OFF
				2	20 pi (6,1 m)	ON	OFF	1 2 3 4 5 6 7 8	
				3	75 pi (22,9 m)	ON	OFF	1 2 3 4 5 6 7 8 9 10	
Horiz.		Vert.	3	20 pi (6,1 m)	ON	OFF	1 2 3 4 5 6 7 8 9 10	No.6: ON No.7: OFF	
			3	50 pi (15,2 m)	ON	OFF	1 2 3 4 5 6 7 8 9 10		
			2	100 pi (30,5 m)	ON	OFF	1 2 3 4 5 6 7 8 9 10		
5 po (125 mm)	Horiz.	Vert.	2	25 pi (7,6 m)	ON	OFF	1 2 3 4 5 6 7 8	No.3: ON No.4: OFF	
			2	20 pi (6,1 m)	ON	OFF	1 2 3 4 5 6 7 8		
			3	75 pi (22,9 m)	ON	OFF	1 2 3 4 5 6 7 8 9 10		
	Horiz.	Vert.	3	20 pi (6,1 m)	ON	OFF	1 2 3 4 5 6 7 8 9 10		No.6: ON No.7: OFF
			2	50 pi (15,2 m)	ON	OFF	1 2 3 4 5 6 7 8 9 10		
			2	100 pi (30,5 m)	ON	OFF	1 2 3 4 5 6 7 8 9 10		
4 po (110 mm)	Horiz.	Vert.	2	25 pi (7,6 m)	ON	OFF	1 2 3 4 5 6 7 8	No.3: ON No.4: OFF	
			2	20 pi (6,1 m)	ON	OFF	1 2 3 4 5 6 7 8		
			3	75 pi (22,9 m)	ON	OFF	1 2 3 4 5 6 7 8 9 10		
	Horiz.	Vert.	3	20 pi (6,1 m)	ON	OFF	1 2 3 4 5 6 7 8 9 10		No.6: ON No.7: OFF
			2	50 pi (15,2 m)	ON	OFF	1 2 3 4 5 6 7 8 9 10		
			2	100 pi (30,5 m)	ON	OFF	1 2 3 4 5 6 7 8 9 10		
8 po (200 mm)	Horiz.	Vert.	2	25 pi (7,6 m)	ON	OFF	1 2 3 4 5 6 7 8	No.3: ON No.4: OFF	
			2	20 pi (6,1 m)	ON	OFF	1 2 3 4 5 6 7 8		
			3	75 pi (22,9 m)	ON	OFF	1 2 3 4 5 6 7 8 9 10		
			3	50 pi (15,2 m)	ON	OFF	1 2 3 4 5 6 7 8 9 10		
			2	100 pi (30,5 m)	ON	OFF	1 2 3 4 5 6 7 8 9 10		
			2	100 pi (30,5 m)	ON	OFF	1 2 3 4 5 6 7 8 9 10		

*Les diamètres des conduits sont conformes aux exigences de Centrotherm.
 **Un coude à 90° à une longueur-équivalente de 1,5 m (pi). Nombre maximal de coudes admissibles: 5. Voir calculs à la page 8.

INSTALLATION DES CONDUITS D'APPROVISIONNEMENT D'AIR ET D'ÉVACUATION

- Tous les conduits doivent être supportés par des sangles. Un chauffe-eau NE DOT JAMAI supporter le poids d'un conduit de ventilation.
- Les conduits horizontaux doivent être supportés à tous les 3 pi (0,91 m).
- Les conduits verticaux doivent être supportés à tous les 5 pi (1,5 m).
- Les conduits horizontaux doivent maintenir une pente ascendante de 1/4 po par pied (21 mm par mètre).
- Tous les raccords du système de ventilation doivent être étanches et mis à l'essai avant la mise en service des chauffe-eau.

Figure 2. Adaptateur de transition pour le PVC (n/p 100113129)



CONDENSATION

- Tous les types d'installation à ventilation commune nécessitent la pose d'un collecteur de condensation sur le conduit d'évacuation.
- La terminaison murale d'un conduit d'évacuation doit se composer d'un coude à 45°; celle d'un conduit d'approvisionnement d'air doit être un coude à 90°. Installez une grille anti-vermine (quadrillé minimum de 3/4 po (19 mm)) dans chacune des terminaisons afin de bloquer l'entrée de tout corps étranger.
- La terminaison à travers le toit des conduits d'évacuation et d'approvisionnement d'air doit se composer d'un coude à 90° suivi d'un coude à 45°, comme illustré dans Figure 4 à Figure 11. Il est possible d'utiliser deux coudes à 90° successifs. Installez une grille anti-vermine (quadrillé minimum de 3/4 po (19 mm)) dans chacune des terminaisons afin de bloquer l'entrée de tout corps étranger.
- Reportez-vous au Manuel d'installation et Guide du propriétaire pour plus d'instructions d'installation.

CONDENSATION

Ces modèles sont des chauffe-eau à haute efficacité qui génèrent des condensats acides. Les conduits de ventilation doivent être installés de façon à ne pas se drainer à travers le chauffe-eau. L'installateur doit ajouter un collecteur de condensation au conduit d'évacuation et incliner ce dernier de façon à ce que l'écoulement se fasse vers ce collecteur.

MATÉRIAUX DES CONDUITS

Voici les matériaux admissibles pour les conduits d'alimentation d'air et d'évacuation:

1. Conduit en PVC Schedule 40 (âme pleine seulement).
2. Conduit en PVC-DWV
3. Conduit en CPVC Schedule 40 (âme pleine seulement).
4. Conduit en ABS Schedule 40.
5. Conduit InnoFlue^{MD}, de Centrotherm (système de ventilation en polypropylène).

Item	Matériau	États-Unis	Canada	
Conduit et raccords d'évacuation	PVC	Schedule 40	ANSI/ASTM D1785	
	PVC-DWV		ANSI/ASTM D2665	
	CPVC	Schedule 40	ANSI/ASTM F441	
	ABS-DWV	Schedule 40	ANSI/ASTM D2661	
	Polypropylène	UL-1738		
	Apprêt adhésif	PVC	ANSI/ASTM D2564	
		CPVC	ANSI/ASTM F493	
		ABS	ANSI/ASTM D2235	
		Produits homologués ULC S636		

Tableau 1. Matériaux admissibles: conduits de ventilation

Lors de l'installation d'un conduit d'évacuation en PVC, il faut ajouter un adaptateur de transition pour le PVC n/p 100113129 (Figure 2). Cet adaptateur doit être raccordé à la sortie du clapet de non-retour pour faire la transition vers le conduit en PVC Schedule 40 de 4 po.

AVERTISSEMENT! Il est interdit d'utiliser des conduits à âme alvéolaire en PVC (ASTM F891), à âme alvéolaire en CPVC, ou en Radel^{MD} (polyphénylsulfone) dans un système de ventilation non métallique. Il est interdit d'ajouter de l'isolant thermique à tout conduit et raccord de ventilation non métallique.

INTRODUCTION

Les seuls chauffe-eau approuvés pour la ventilation commune sont les modèles à condensation: 240 (T-H3J), 340 (T-H3S) et 540 (T-H3). De plus, le système doit être à ventilation directe (terme technique: à ventouse), c'est-à-dire à 2 conduits.

AVERTISSEMENT! Le conduit d'évacuation de chacun des chauffe-eau à ventilation commune doit être muni d'un clapet de non-retour, n/p 100113130. Voir les instructions comprises avec le clapet pour tous les détails d'installation.

En configuration horizontale (côte à côte), le nombre maximal de chauffe-eau à ventilation commune est de 8. En configuration verticale (multiniveau), le nombre maximal de chauffe-eau à ventilation commune est de 3.

Le conduit d'évacuation de chacun des chauffe-eau à ventilation commune doit être muni d'un clapet de non-retour en polypropylène.

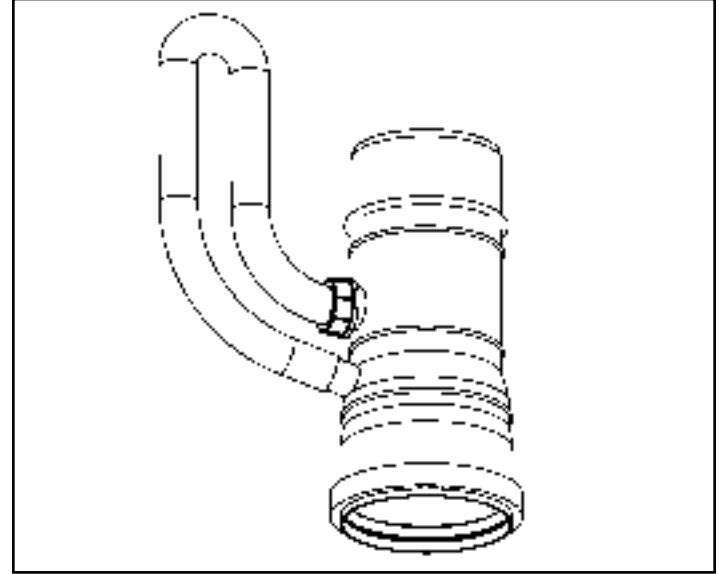


Figure 1. Clapet de non-retour (n/p 100113130)

La longueur-équivalente maximale d'un conduit de ventilation est de 30,5 m (100 pi). Un coude à 90° à une longueur-équivalente de 1,5 m (5 pi). Un coude à 45° à une longueur-équivalente de 0,75 m (2,5 pi). Le diamètre du conduit commun principal doit demeurer uniforme sur toute sa longueur, soit jusqu'à la terminaison. La terminaison peut être positionnée sur un mur ou sur un toit.

LISTE DES FIGURES

4	Clapet de non-retour (n/p 100113130)	4
5	Adaptateur de transition pour le PVC (n/p 100113129)	5
5	Dimensionnement des conduits de ventilation	5
6	Installation typique, ventilation commune à travers le toit.	6
6	Installation typique, ventilation commune à travers le mur.	6
6	Installation typique, ventilation commune combinée (mur / toit)	6
7	Ventilation verticale à travers le toit	7
7	Ventilation verticale à travers le mur	7
8	Ventilation verticale dans une gaine ou un puits unique	8
8	Dimensionnement des conduits	8
9	Dimensionnement des conduits	9
10	Composantes, configuration horizontale (dos à dos)	10
11	Composantes, configuration horizontale (côte à côte)	11
11	Composantes, configuration horizontale (côte à côte)	11
12	Composantes, configuration horizontale (côte à côte)	12
13	Composantes, configuration horizontale (côte à côte)	13
13	Composantes, configuration horizontale (côte à côte, mur)	13
13	Composantes, configuration horizontale (dos à dos)	13
14	Composantes, configuration horizontale (dos à dos)	14
15	Composantes, configuration horizontale (dos à dos)	15
16	Composantes, configuration horizontale (côte à côte)	16
17	Composantes, configuration horizontale (côte à côte)	17
17	Composantes, configuration horizontale (côte à côte, mur)	17
18	Composantes, configuration verticale (gaines ou puits séparés)	18
19	Composantes, configuration verticale (gaines ou puits séparés)	19
20	Composantes, configuration verticale (gaine ou puits unique)	20
21	Composantes, configuration verticale (gaine ou puits unique)	21
22	Composantes, configuration verticale (gaines ou puits séparés)	22
23	Composantes, configuration verticale (gaines ou puits séparés)	23
24	Composantes, configuration verticale - Tés (gaines ou puits séparés)	24
25	Composantes, configuration verticale - Tés (gaines ou puits séparés)	25
26	Composantes, configuration verticale - 3 voies (Y) (gaine ou puits unique)	26
27	Composantes, configuration verticale (Y) (gaine ou puits unique)	27
28	Composantes, configuration verticale - Tés (gaine ou puits unique)	28
29	Configuration verticale - Tés (gaine ou puits unique)	29

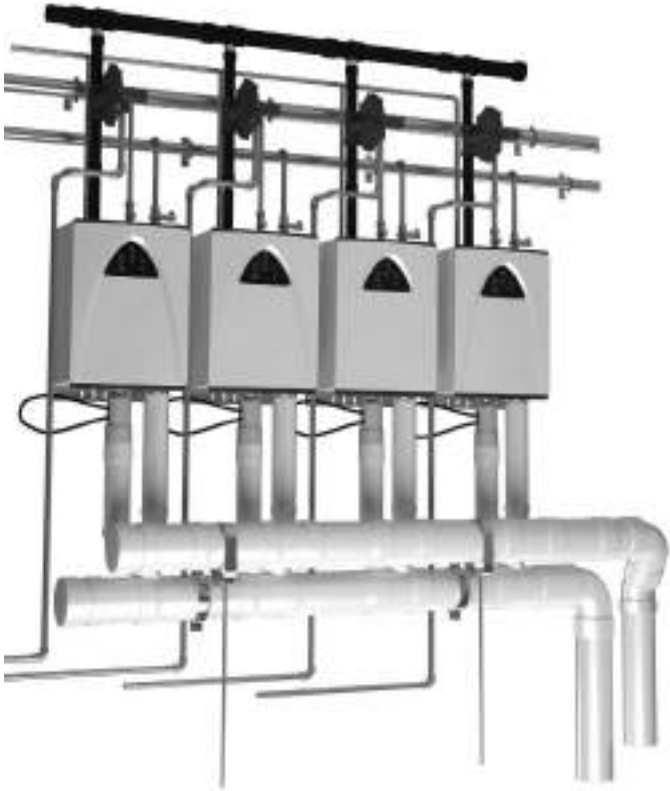
LISTE DES TABLEAUX

4	Matériaux admissibles: conduits de ventilation	4
11	Liste des composantes de ventilation, configuration horizontale (dos à dos)	11
13	Liste des composantes de ventilation, configuration horizontale (côte à côte)	13
15	Liste des composantes de ventilation, configuration horizontale (dos à dos)	15
17	Liste des composantes de ventilation, configuration horizontale (côte à côte)	17
19	Liste des composantes de ventilation, configuration verticale (gaines ou puits séparés)	19
21	Liste des composantes de ventilation, configuration verticale (gaine ou puits unique)	21
23	Liste des composantes de ventilation, configuration verticale - 3 voies (Y) (gaines ou puits séparés)	23
25	Liste des composantes de ventilation, configuration verticale - Tés (gaines ou puits séparés)	25
27	Liste des composantes de ventilation, configuration verticale - 3 voies (Y) (gaine ou puits unique)	27
29	Liste des composantes de ventilation, configuration verticale - Tés (gaine ou puits unique)	29

TABLE DES MATIÈRES

Instructions	4
Introduction	4
Matériaux des conduits	4
Installation des conduits d'approvisionnement	4
d'air et d'évacuation	5
Condensation	5
Types de ventilation commune	6
Horizontal (côte à côte)	6
Vertical (multiniveau)	6
Établissement du diamètre des conduits communs	8
Configuration horizontale	8
Configuration verticale	9
Dégagements	9
Terminaisons à travers le mur	9
Terminaisons à travers le toit	10
Ventilation	10
Configuration horizontale - (conduit en PVC Schedule 40)	10
Dos à dos	10
Côte à côte	10
Configuration horizontale - (conduit en polypropylène)	14
Dos à dos	14
Côte à côte	14
Configuration verticale (conduit en PVC Schedule 40)	18
Gaines ou puits séparés	18
Configuration verticale (conduit en polypropylène)	22
Gaines ou puits séparés	22
Gaine ou puits unique	22
Liste de composantes	30
Liste de vérification finale	30

VENTILATION COMMUNE DES CHAUFFE-EAU INSTANTANÉES AU GAZ



AVERTISSEMENT: Tout manquement aux présentes directives peut causer un incendie ou une explosion pouvant se traduire par des dommages matériels, des blessures ou la mort.

- Ne pas ranger ni utiliser de l'essence ou d'autres liquides ou vapeurs inflammables, à proximité de cet appareil ou de tout autre appareil.
- SI VOUS DÉTECTEZ UNE ODEUR DE GAZ:
 - Ne mettez aucun appareil en marche.
 - N'actionnez aucun interrupteur électrique; n'utilisez aucun téléphone de votre bâtiment.
 - Appelez immédiatement votre fournisseur de gaz de chez un voisin et suivez les directives.
 - Si vous ne pouvez communiquer avec votre fournisseur de gaz, appelez le service des incendies.
- L'installation et la réparation de cet appareil doivent être effectuées par un installateur qualifié, un centre de service ou votre fournisseur de gaz.

⚠ AVERTISSEMENT

Lisez attentivement le présent manuel et toutes les directives de sécurité avant d'installer, d'utiliser ou d'entretenir ce chauffe-eau. Le non-respect des directives de manuel et des directives de sécurité peut entraîner de graves blessures ou la mort. Ce manuel doit demeurer à proximité du chauffe-eau.



- **Pour votre sécurité** •
UNE SUBSTANCE ODORANTE EST AJOUTÉE AU GAZ UTILISÉ PAR CE CHAUFFE-EAU

POUR TOUTE QUESTION TECHNIQUE OU DE GARANTIE: VEUILLEZ JOINDRE LE FOURNISSEUR LOCAL DE QUI LE SYSTÈME A ÉTÉ ACHETÉ. SI CETTE DÉMARCHE S'AVÈRE INFRUCTUEUSE, VEUILLEZ JOINDRE L'ENTREPRISE DONT LE NOM FIGURE SUR LA PLAQUE SIGNALÉTIQUE DU CHAUFFE-EAU.

CONSERVEZ CE MANUEL SUR LE CHAUFFE-EAU OU À PROXIMITÉ DE CELUI-CI AFIN DE POUVOIR VOUS Y RÉFÉRER LORS D'UN RÉGLAGE OU D'UNE RÉPARATION.