



# ENGINEERING EXCELLENCE

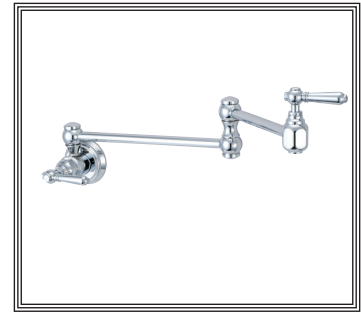
## Americana Series #2AM600 PARTS BREAKDOWN SHEET

### DESCRIPTION

- Wall Mount Pot Filler
- Metal Lever Handles
- Space Saving Swivel Spout  
Folds in When Not in Use
- 21-7/8" Spout Reach
- Ceramic Disc Cartridges
- 1-Hole Wall Mount Installation
- Designed for Cold Water
- 1/2" IPS Connection with  
flange

### FINISHES

- PC Polished Chrome
- BN PVD Brushed Nickel
- SS PVD Stainless Steel
- ORB Oil Rubbed Bronze
- MZ Moroccan Bronze



#2AM600 SHOWN \* ADA 

### FLOW

- Aerator Limited to 2.0 GPM

### STANDARDS APPLICABLE

- ASME A112.18.1
- ANSI A117.1
- ANSI / NSF 61, SECTION 9
- CUPC / IAPMO LISTED / ADA  
COMPLIANT
- CONTAINS NO MORE THAN  
0.25% WEIGHTED AVERAGE  
LEAD CONTENT

Model #: \_\_\_\_\_

Specific Features: \_\_\_\_\_

Project Name: \_\_\_\_\_

Submitted For: \_\_\_\_\_

Model	Description	Finishes
#2AM600	Wall Mount Pot Filler	<input type="checkbox"/> PC <input type="checkbox"/> Other _____



ENGINEERING EXCELLENCE

Pioneer:1-800-338-9468

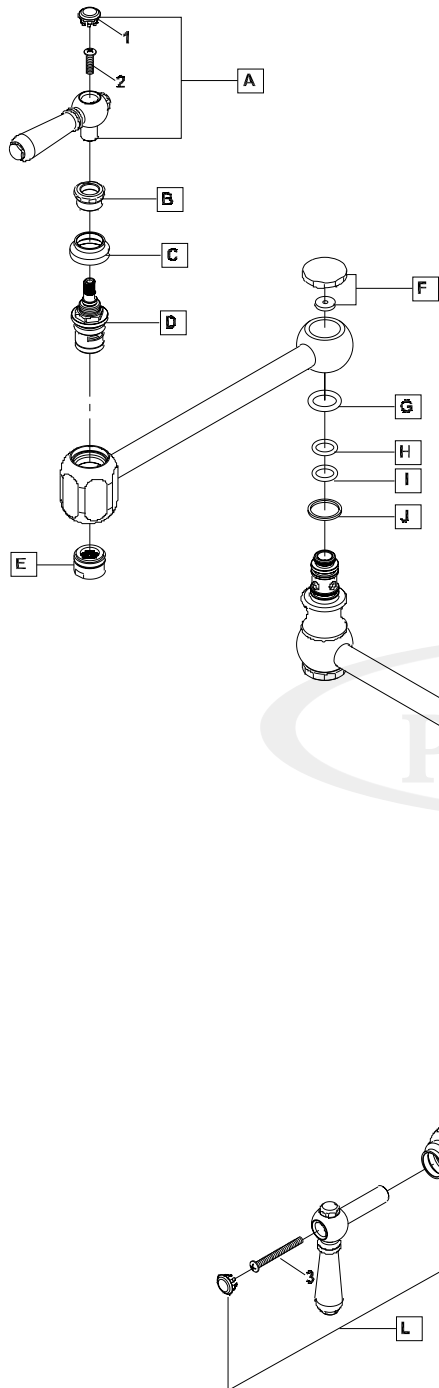
Commerce, CA 90040

www.pioneerind.com

Pioneer Industries, Inc. © 2016

DMPB2AM600/REV. 08 2016

Page 1 of 2



	ITEM#	DESCRIPTION
A	X-1200010*	Lever Handle
B	X-4200093*	Handle Sleeve
C	X-4200067*	Handle Escutcheon
D	X-3200004H	Ceramic Cartridge
E	X-4900041*	2.0 GPM Aerator
F	X-4200094*	Spout Cap & Washer
G	X-4200095	O-Ring
H	X-4200096	O-Ring
I	X-4200097	O-Ring
J	X-4200098	Gasket
K	X-4200099	O-Ring
L	X-1200009*	Americana Lever Handle
M	X-3200004H	Ceramic Cartridge
N	X-4200064*	Escutcheon
O	X-5200010	Mounting Kit
P	X-4900040	Allen Wrench
Q	X-4900024	Allen Wrench
1	X-4900042P*	Handle Button-Plain
2	X-4900043	Handle Screw
3	X-4200065	Handle Screw
4	X-4900039	Allen Screw
5	X-4900002	Allen Screw

\* Note- Please specify finish/color code while ordering.

Product Diagram



ENGINEERING EXCELLENCE

Pioneer: 1-800-338-9468  
Commerce, CA 90040  
www.pioneerind.com  
Pioneer Industries, Inc. © 2016