




- Designed with smooth round shape.
- Available in 1" and 4" centers.
- Available in White and Cashmere.
- All Western products are IAPMO tested and meet or exceed  standards

For more information please contact us toll-free:

877-WPWORKS (979-6757)

US Sales and Service

Phone 562.229.0910 • Fax 562.229.0930

www.westernpottery.com • Email: info@westernpottery.com

14405 Best Avenue • Norwalk, California 90650

L250

PHYSICAL PROPERTIES

Model: **L250**
Pedestal Lavatory

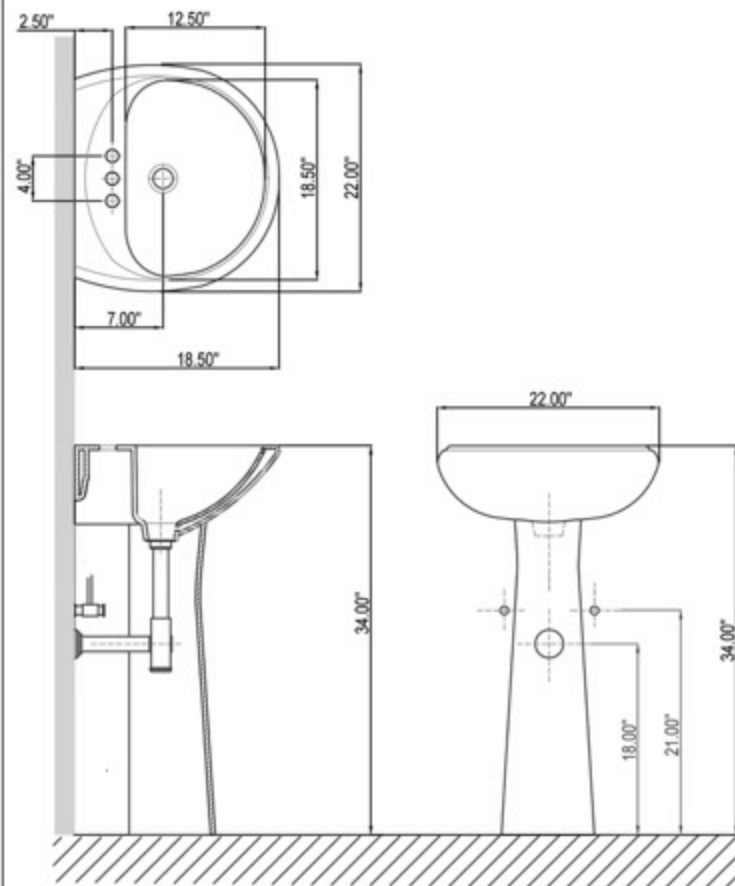
Height: **34.00"**

Width: **22.00"**

Depth: **18.50"**

Shipping Weight: **31.96 lbs.** Lav
27.55 lbs. Ped

Shipping Cube: **1.99 ft.** Lav
1.23 ft. Ped



IMPORTANT: These dimensions are nominal and vary within the range of tolerances established by ASME standard A112.19.2



For more information please contact us toll-free:

877-WPWORKS (979-6757)

www.westernpottery.com • Email: info@westernpottery.com