

## TR21, TR22, TR23, and TR24 Wall Modules

### SPECIFICATION DATA



### GENERAL

The TR21, TR22, TR23, and TR24 are a family of direct wired wall modules for use with:

- Honeywell Excel 800, 600, 500, 100, and 80 (all fully programmable) controllers
- Excel 10 W7750, W7751<sup>a</sup>, W7752, and W7753 controllers
- W7761 Controller
- Spyder Unitary Controllers: PUL, PVL
- ComfortPoint LON Controllers: CP-UL, CP-VL

All models have a space temperature sensor. Some models have a temperature dial for setpoint adjustment, LONWORKS® bus jack, override (bypass) with LED, and fan switch. The figure above shows the TR23 (left) and TR21 (right) models.

<sup>a</sup> The TR21, TR22, TR23, and TR24 wall modules are not compatible with W7751A,C,E,G Controllers.

### FEATURES

The TR21, TR22, TR23, and TR24 family of wall modules include:

- **Models with setpoint adjustment.**
- **Models with occupied/unoccupied override (bypass) with LED.**
- **Models with 3-position (auto/0/1) or 5-position (auto/0/1/2/3 speed) fan switch.**
- **LONWORKS® bus jack on all models except the TR21 and TR21-A models.**
- **Operating range 45°F to 99°F (7°C to 37°C).**
- **Models (TR22 and TR23) with user-selectable temperature setpoint dials in Fahrenheit, Celsius, and Relative (- to +).**

### SPECIFICATIONS

**Models:** See Table 1 on page 2.

**Construction:** Two-piece construction, cover and internally wired subbase. Field wiring 16 to 22 AWG (1.31-0.33 sq. mm) connects to a terminal block in the subbase.

**Mounting Options:** All modules can be mounted on a standard two by four inch junction box or on a 60 mm diameter junction box.

**Dimensions (H/W/D):** See Fig. 2 on page 3.

**Environmental Ratings:**

- Operating Temperature: 45°F to 99°F (7°C to 37°C).
- Shipping Temperature: -40°F to 150°F (-40°C to 65.5°C).
- Relative Humidity: 5% to 95% non condensing.

**Humidity Output Accuracy:** ±5% from 20–80% RH

**Temperature Sensor Operating Range:**

45°F to 99°F (7°C to 37°C).

**Temperature Setpoint Ranges (TR22 and TR23 only):**

The setpoint range is determined by the temperature knob installed:

- 55°F to 85°F
- 13°C to 29°C
- Relative (- to +)



TR21, TR22, TR23, AND TR24 WALL MODULES

**Accessories:** 50007298-001 (pack of 12) medium, cover plate; 6-7/8 x 5 in. (175 x 127 mm).

**Approvals:** CE; UL94 plastic enclosure; FCC Part 15, Class B

## Temperature Sensor

### TR21, TR22, TR23, and TR24 20K Ohm Non-linearized Sensor:

All models are furnished with a 20K Ohm non-linear NTC temperature sensor that follows a specific temperature resistance curve. See Fig. 1.

Honeywell controllers used with the TR21, TR22, TR23, and TR24 models employ an algorithm that provides readings close to the actual temperature. Sensor accuracy across the range of 55°F to 85°F (13°C to 29°C) is better than ±0.36°F (±0.2°C).

**NOTE:** The TR21-A wall module model has two 20K Ohm non-linear NTC temperature sensors in parallel, which provide 10K NTC temperature sensing necessary for averaging.

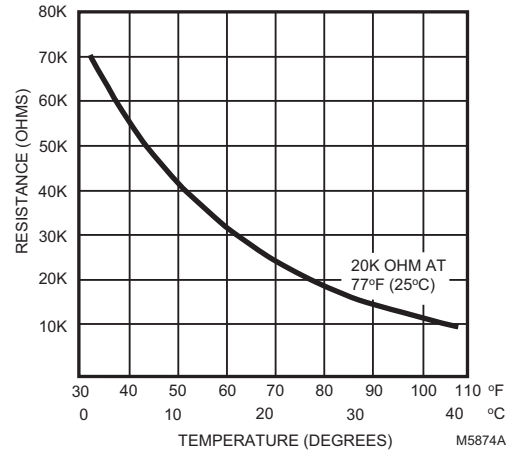


Fig. 1. Temperature vs. resistance for nonlinear sensor.

## Wall Module Features

Table 1 illustrates the TR21, TR22, TR23, and TR24 wall module features and lists the existing Honeywell models that they replace.

Table 1. TR21-TR24 Wall Module Features.<sup>a</sup>

Model Number		Sensor Element Type	Sensor Type		Selectable Setpoint Adjustment: 55°F to 85°F, 13°C to 30°C, or Relative (- to +)	Override Button with LED	LON Jack	Fan Switching	
Honeywell Wall Module Model	Replaces Honeywell Model		Temp	Humidity					
TR21	T7770A1006	20K ohms non-linear	✓					N/A	
TR21-A	T7770A3002	10K ohms non-linear for averaging only	✓						
TR21-H	N/A	20K ohms non-linear	✓	✓			✓		
TR21-J	T7770A2004		✓				✓		
TR22	T7770B1004 T7770B1020 T7770B1046		✓		✓		✓		
TR23	T7770C1002 T7770C1028 T7770C1044		✓		✓	✓	✓		
TR23-H	N/A		✓	✓	✓	✓	✓		
TR23-N <sup>b</sup>	T7770C1051		✓		✓	✓	✓		
T24	T7770D1000		✓			✓	✓		
TR22-F5	N/A		✓		✓		✓		5 position
TR23-F3	T7770E1023		✓		✓	✓	✓		3 position
TR23-F5	T7770F1005		✓		✓	✓	✓		5 position
TR23-KL <sup>c</sup>	N/A		✓		Knob Not Included <sup>d</sup>	✓	✓		N/A
TR23-H-KL <sup>c</sup>	N/A		✓	✓	Knob Not Included <sup>d</sup>	✓	✓		N/A

<sup>a</sup> A check mark (✓) indicates the feature is included with the wall module.

<sup>b</sup> The TR23-N has no Honeywell logo on the cover.

<sup>c</sup> Sold in packs of 20.

<sup>d</sup> See Table 5 on page 6 for model numbers.

NOTE: Refer to the *TR21, TR22, TR23, and TR24 Wall Modules – Installation Instructions*, form 62-0267, for wiring diagrams. Some features may not be available with all controllers.

## Module Dimensions

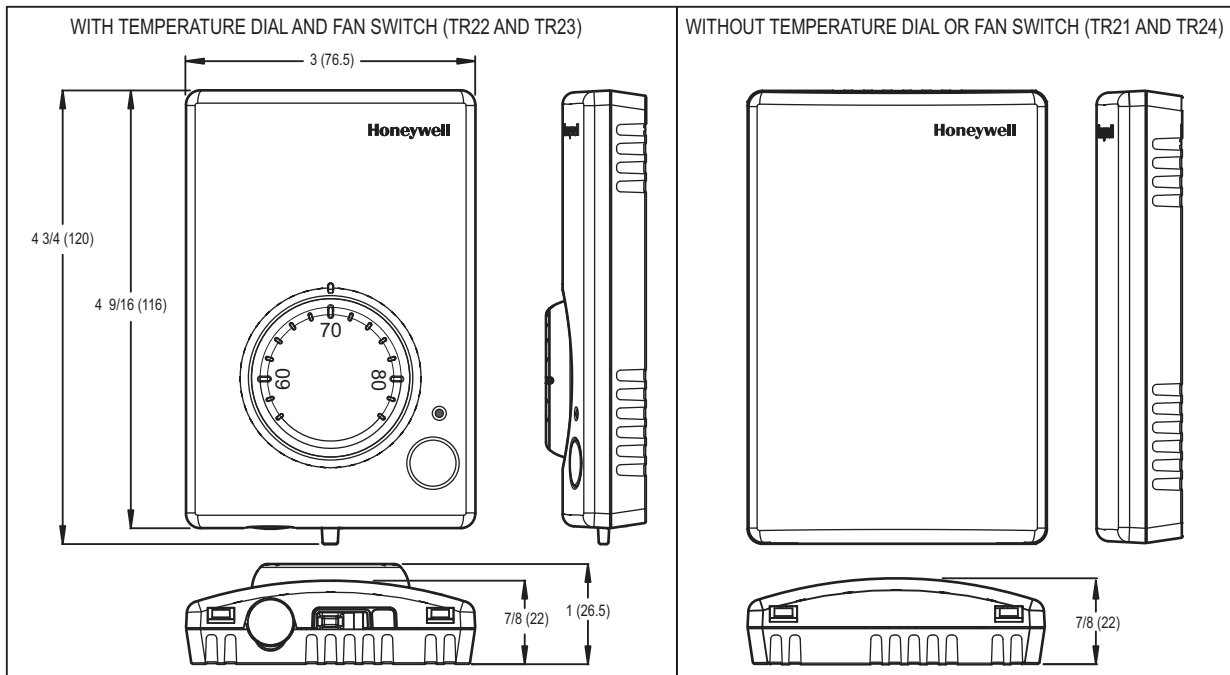
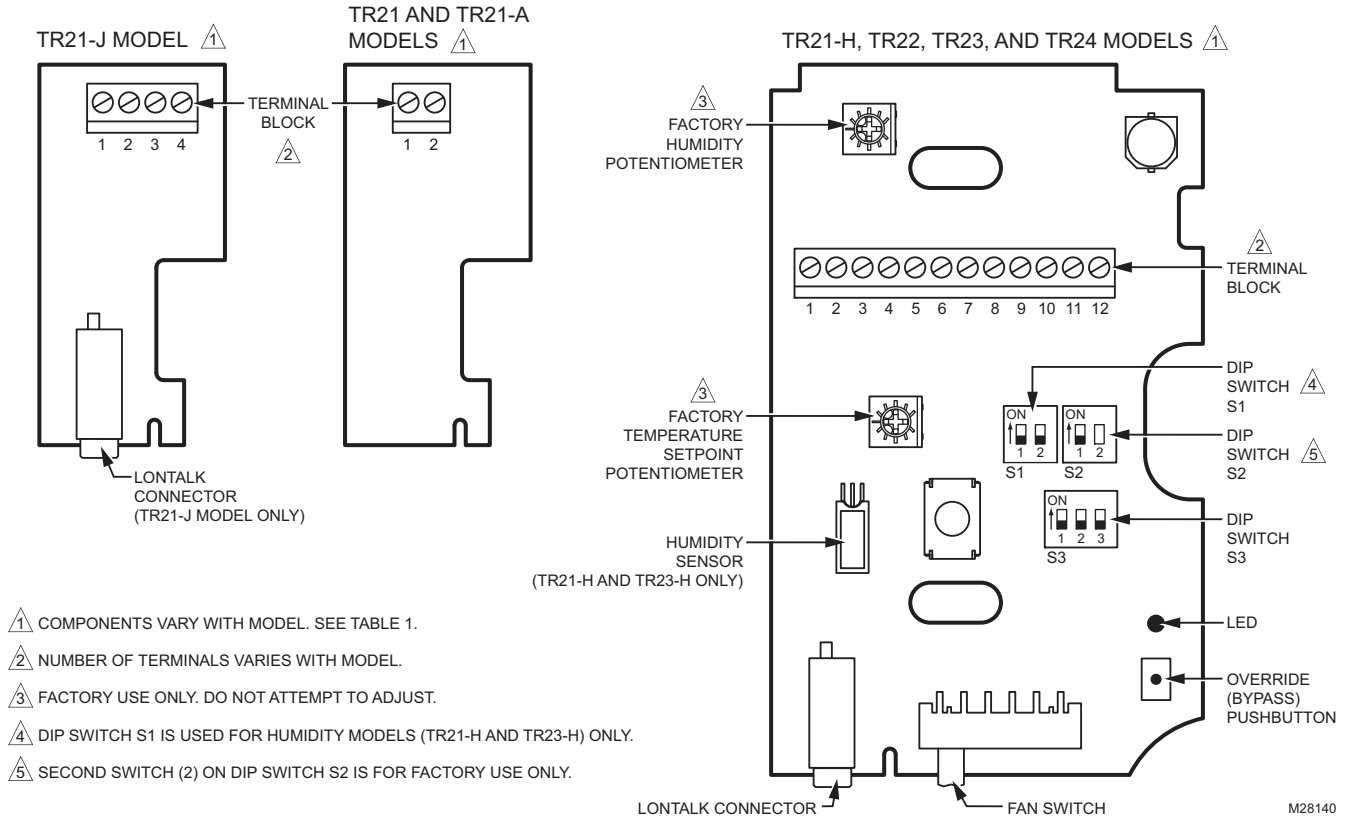


Fig. 2. Wall module dimensions in inches (mm).

## Circuit Board

Fig. 3 illustrates the location of the terminal block and other features on the TR21, TR22, TR23, and TR24 models' circuit board. Table 2 on page 4 describes the terminal connections by model number.

TR21, TR22, TR23, AND TR24 WALL MODULES



- <sup>1</sup> COMPONENTS VARY WITH MODEL. SEE TABLE 1.
- <sup>2</sup> NUMBER OF TERMINALS VARIES WITH MODEL.
- <sup>3</sup> FACTORY USE ONLY. DO NOT ATTEMPT TO ADJUST.
- <sup>4</sup> DIP SWITCH S1 IS USED FOR HUMIDITY MODELS (TR21-H AND TR23-H) ONLY.
- <sup>5</sup> SECOND SWITCH (2) ON DIP SWITCH S2 IS FOR FACTORY USE ONLY.

Fig. 3. Wall module circuit board components.

Table 2. TR21, TR22, TR23, and TR24 Wall Module Terminal Connections.<sup>a</sup>

Wall Module Model	When Used With Controller Model(s)	Terminal Usage and Number (See Fig. 3 on page 4)											
		GND <sup>b</sup>	Sensor	LON + <sup>c</sup>	LON -	SETPT (Setpoint)	Override Return	LED	LED Return	Override / Fan	Override	Humidity	18-24 Vac <sup>d</sup>
		1	2	3	4	5	6	7	8	9	10	11	12
TR21	W7761	✓	✓										
TR21-A		✓	✓										
TR21-H		✓	✓	✓	✓						✓	✓	
TR21-J		✓	✓	✓	✓								
TR22-F5	• W7750, W7751, W7752, and W7753	✓	✓	✓	✓	✓				Fan			
TR23		✓	✓	✓	✓	✓							
TR23-N		✓	✓	✓	✓	✓							
T24	• Excel 600, 500, 100, and 80	✓	✓	✓	✓								
TR23	W7753	✓	✓	✓	✓	✓		✓			✓		
TR23-F3		✓	✓	✓	✓	✓		✓		Fan	✓		
TR23-F5		✓	✓	✓	✓	✓		✓		Fan	✓		
TR23-H		✓	✓	✓	✓	✓		✓			✓	✓	✓
T24		✓	✓	✓	✓			✓			✓		

Table 2. TR21, TR22, TR23, and TR24 Wall Module Terminal Connections.<sup>a</sup> (Continued)

Wall Module Model	When Used With Controller Model(s)	Terminal Usage and Number (See Fig. 3 on page 4)											
		GND <sup>b</sup>	Sensor	LON + <sup>c</sup>	LON –	SETPT (Setpoint)	Override Return	LED	LED Return	Override / Fan	Override	Humidity	18-24 Vac <sup>d</sup>
		1	2	3	4	5	6	7	8	9	10	11	12
TR23	<ul style="list-style-type: none"> <li>• W7750, W7751, and W7752</li> <li>• Spyder: PUL, PVL</li> </ul>	✓	✓	✓	✓	✓		✓		Override			
TR23-F3		✓	✓	✓	✓	✓		✓		Override / Fan			
TR23-F5		✓	✓	✓	✓	✓		✓		Override / Fan			
TR23-H		✓	✓	✓	✓	✓		✓		Override		✓	✓
T24		✓	✓	✓	✓			✓		Override			
TR23-F3	Excel 600, 500, 100, and 80 <b>with Fan</b>	✓	✓	✓	✓	✓		✓	✓	Override / Fan			
TR23-F5		✓	✓	✓	✓	✓	✓	✓	✓	Override / Fan			
TR23	Excel 600, 500, 100, and 80 <b>without Fan</b>	✓	✓	✓	✓	✓	✓	✓	✓	Override			
TR23-H		✓	✓	✓	✓	✓	✓	✓	✓	Override		✓	✓
T24		✓	✓	✓	✓		✓	✓	✓	Override			

- <sup>a</sup> A check mark (✓) indicates the terminal is used in this wall module and controller configuration.
- <sup>b</sup> Earth Ground.
- <sup>c</sup> LONWORKS® terminals (+ and –) are polarity insensitive.
- <sup>d</sup> Power coming from the controller to power the humidity sensor.

## Communications

All wall modules (except the TR21 and TR21-A models) have a LONMARK® bus communications port. If needed, the jack plug must be removed in the field, and terminals 3 and 4 wired according to the installation instructions.

LONMARK® bus communication is not applicable when the wall modules are used with Excel 600/500/100/80 Controllers. The LONMARK® bus is insensitive to polarity, minimizing installation errors due to mis-wiring.

The recommended wire size for the LONMARK® bus is Level IV, 22 AWG (0.34 sq.mm) plenum or non-plenum rated, unshielded, twisted pair, solid conductor wire.

## TR22 and TR23 Setpoint Adjustment

For the TR22 and TR23 Wall Modules with a setpoint adjustment, the controller must be programmed for the values in Table 3 and Table 4.

**Table 3. Setpoint Values.**

Setpoint Value	Program Setting
55°F (13°C)	2.773 V
65°F (18°C)	2.148 V
75°F (24°C)	1.345 V
85°F (29°C)	0.43 V

**Table 4. Wall Module Setpoint Configuration.**

Model	Setpoint	Resistance (Ohms)
°F Absolute	55°F	9574
	85°F	1426
Relative	-9°F offset from 70°F	9574
	+9°F offset from 70°F	1426
°C Absolute	12°C	9945
	30°C	1150

## TR23-KL and TR23-H-KL

The TR23-KL and TR23-H-KL ship in packs of 20 and are supplied without setpoint adjustment knobs. Knobs can be ordered separately. See Table 5 for Knob model numbers.

**Table 5. Knob Model Numbers**

Model	Description
KNOB-C	Celsius scale knob (pack of 20)
KNOB-F	Fahrenheit scale knob (pack of 20)
KNOB-O	Relative scale knob (pack of 20)

## Humidity Settings (DIP switch S1)

The humidity sensing control mode is set with this 2-position DIP switch. Refer to Fig. 3 on page 4 for location of DIP switch S1.

NOTE: These switch settings apply only to the TR21-H and TR23-H models.

To change the setting, first disconnect the power, then set **SW1** and **SW2** according to Table 6.

The switch settings are used to indicate the sensing control between the humidity sensor on the wall module and the connected controller model.

**Table 6. DIP Switch S1 Settings.**

Wall Module Model	Sensing Control	Individual Switches	
		1	2
TR21-H TR23-H	0-10 Vdc	OFF	OFF
	0-5 Vdc	OFF	ON
	4-20 mA	ON	OFF

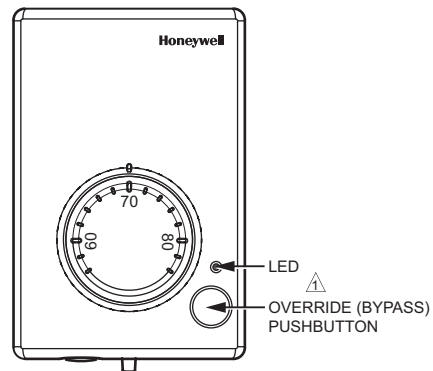
## DIP Switches S2 and S3

See Fig. 3 on page 4 for location of these DIP switches. To set these DIP switches, refer to the TR21, TR22, TR23, and TR24 Wall Modules – Installation Instructions, form 62-0267.

## TR23 and TR24 Wall Module Override (Bypass) Pushbutton and LED Operation

### When Used With Excel 10 Controllers:

The Excel 10 controllers (W7750, W7751, W7752, and W7753) provide timed occupied and unoccupied temperature setpoints for the Wall Module, see Fig. 4. The override pushbutton is used to change the controller into the modes shown in Table 7 and illustrated in Fig. 5 on page 7. The override (bypass) LED displays the override status of the controller.



▲ LED AND OVERRIDE (BYPASS) PUSHBUTTON AVAILABLE ONLY ON THE TR23 AND TR24 MODELS.

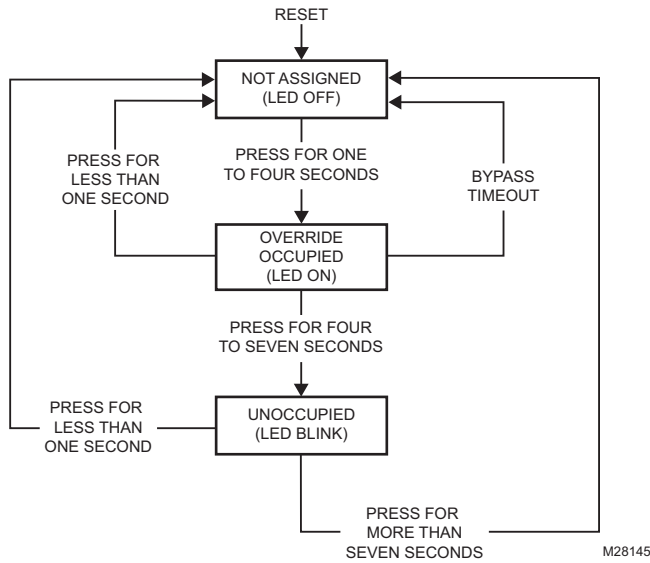
M28144

**Fig. 4. LED and override pushbutton locations (TR23-F Wall Module shown).**

**Table 7. Wall Module Operation.**

Pushbutton Held Down	Controller Model	LED Status
0 to 1 second	No override	Off
1 to 4 seconds	Timed occupied override	On
4 to 7 seconds	Unoccupied override	Single blink per second
Longer than 7 seconds	No override	Off
not applicable	Continuous occupied override <sup>a</sup>	Two blinks per second

<sup>a</sup> Remote function, which is generated from the network.



**Fig. 5. Override pushbutton operation.**

**When Used With Excel 600/500/100/80 Controllers:**

The application engineer/programmer can program the override (bypass) and LED to operate in any manner desired. The override (bypass) input is a dry contact, normally open, momentary digital input when the wall module does not have a fan switch. When a fan speed switch (basically a series of resistances based on fan switch position) is present, the override button is an analog input. See Table 9 for resistances.

**When Used With T7350 Thermostat:**

TR21, TR21-A, TR21-H, TR22, TR23, and TR24 are the models compatible with the T7350 thermostat. When using with the T7350 thermostat be sure to use the relative +/- offset knob only. The Celsius and Fahrenheit knobs will not work properly with the T7350 Thermostat.

**TR22-F5, TR23-F3, and TR23-F5 Wall Module Fan Switch**

With the switch in the far left position (Auto), the fan automatically runs at the speed determined by the controller temperature control algorithm.

With the switch in the 0 position, the fan is off. Position 1 is fan speed 1, etc.

The wall module fan speed switch overrides the temperature control algorithm.

**When Used With Excel 10 Controllers:**

The Excel 10 Controllers (W7750, W7751, W7752, and W7753) can be programmed so that the fan speed switch and override button function the way that the application engineer/programmer wants. See Table 8 for controller-programming resistances. Switch 1 on Dip Switch S2 adds 10k Ohms resistance when OPEN (for Excel 600-80 controllers) and removes it when CLOSED (for Excel 10 controllers).

**Table 8. Program Settings for Wall Modules with Fan Switch using Excel 10 Controllers.**

For Switch Position	Resistance (Ohms)	Comment
Auto	1861 ±119	Left most position
0	2686 ±127	Fan Off position
1	3866 ±139	
2	304 ±130	
3	460 ±146	Right most position
Override button closed	Closed circuit	

**When Used With Excel 600/500/100/80 Controllers:**

Excel 600/500/100/80 Controllers can be programmed so that the fan speed switch and override button function the way that the application engineer/programmer wants. See Table 9 for controller-programming resistances. Switch 1 on Dip Switch S2 adds 10k Ohms resistance when OPEN (for Excel 600-80 controllers) and removes it when CLOSED (for Excel 10 controllers).

**Table 9. Program Settings for Wall Modules with Fan Switch using Excel 600/500/100/80 Controllers.**

For Switch Position	Resistance (Ohms)	Comment
Auto	11.861K ±119	Left most position
0	12.686K ±127	Fan Off position
1	13.866K ±139	
2	13.04K ±130	
3	14.60K ±146	Right most position
Override button closed	10K ±100	

LONWORKS® is a registered trademark of Echelon® Corporation.

LONMARK® and the LonMark Logo are trademarks of the LonMark Association.

**Automation and Control Solutions**

Honeywell International Inc.  
1985 Douglas Drive North  
Golden Valley, MN 55422  
customer.honeywell.com

Honeywell Limited-Honeywell Limitée  
35 Dynamic Drive  
Toronto, Ontario M1V 4Z9





## Módulos de pared TR21, TR22, TR23, y TR24

### ESPECIFICACIONES



### GENERAL

Los TR21, TR22, TR23, y TR24 son una familia de módulos de pared de cableado directo para uso con:

- Controladores Honeywell Excel 800, 600, 500, 100, y 80 (todos completamente programables)
- Controladores Excel 10 W7750, W7751<sup>a</sup>, W7752, y W7753
- Controlador W7761
- Controladores unitarios Spyder: PUL, PVL
- Controladores ComfortPoint LON: CP-UL, CP-VL

Todos los modelos tienen un sensor de temperatura del espacio. Algunos modelos tienen una esfera de temperatura para fijar el punto de ajuste, conector de bus LONWORKS®, sobremando manual (desvío a "bypass") con LED e interruptor de ventilador. La figura superior muestra los modelos TR23 (a la izquierda) y TR21 (a la derecha).

<sup>a</sup> Los módulos de pared TR21, TR22, TR23, y TR24 no son compatibles con los controladores W7751A,C,E,G.

### CARACTERÍSTICAS

La familia de modelos de pared TR21, TR22, TR23, y TR24 incluye:

- Modelos con punto de ajuste.
- Modelos con anulación manual (derivación) ocupado/sin ocupar con LED.
- Modelos con interruptor de ventilador de 3 posiciones (auto/0/1) o 5 posiciones de velocidad (auto/0/1/2/3).
- Conector de enlace común LONWORKS® en todos los modelos excepto los modelos TR21 y TR21-A.
- Rango de operación 45°F a 99°F (7°C a 37°C).
- Modelos (TR22 y TR23) con esferas con punto de ajuste de temperatura que puede seleccionar el usuario en Fahrenheit, Centígrados, y Relativa (- a +).

### ESPECIFICACIONES

**Modelos:** Consulte la Tabla 1 en la página 2.

**Construcción:** Construcción de dos piezas, cubierta y sub-base cableada internamente. Cableado en campo 16 a 22 AWG (1,31-0,33 mm<sup>2</sup>) conectado a un bloque terminal en la subbase.

**Opciones de montaje:** Todos los módulos pueden montarse en una caja de empalmes estándar de 2 x 4 in. (5,1 x 10,2 cm) o en una caja de empalmes de 60 mm de diámetro.

**Dimensiones (H/W/D):** Consulte Fig. 2 en la página 3.

**Clasificación ambiental:**

- Temperatura de funcionamiento: 45°F a 99°F (7°C a 37°C).
- Temperatura de envío: -40°F a 150°F (-40°C a 65,5°C).
- Humedad relativa: Del 5% al 95% sin condensación.

**Precisión de salida de humedad:** ±5% de 20-80% RH

**Rango de operación del sensor de temperatura:**  
45°F a 99°F (7°C a 37°C).

**Rangos de punto de ajuste de temperatura (TR22 y TR23 únicamente):**

El rango del punto de ajuste de temperatura está determinado por la perilla de temperatura instalada:

- 55°F to 85°F
- 13°C to 29°C
- Relativa (- a +)



**Accesorios:** 50007298-001 (paquete de 12) mediano, cubierta protectora; 6-7/8 x 5 in. (175 x 127 mm).

**Aprobaciones:** CE; UL94 carcasa plástica; FCC Parte 15, Clase B

## Sensor de Temperatura

### Sensor no linealizado de 20K Ohm con TR21, TR22, TR23, y TR24:

Todos los modelos se suministran con un sensor de temperatura NTC no lineal de 20K Ohm que sigue una curva de resistencia de temperatura específica. Ver Fig. 1.

Los controladores Honeywell utilizados con los modelos TR21, TR22, TR23, y TR24 emplean un algoritmo que proporciona lecturas cercanas a la temperatura actual. La precisión del sensor a través del rango de 55°F a 85°F (13°C a 29°C) es mejor que  $\pm 0,36^\circ\text{F}$  ( $\pm 0,2^\circ\text{C}$ ).

NOTA: El módulo de pared TR21-A tiene dos sensores de temperatura NTC no lineales de 20K Ohm en paralelo, los cuales proporcionan la detección de temperatura NTC 10K necesaria para promediar.

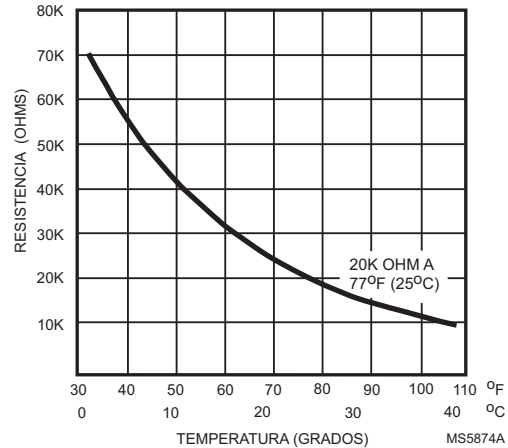


Fig. 1. Temperatura vs. resistencia del sensor no lineal.

## Características del Módulo de Pared

La Tabla 1 ilustra las características de los módulos de pared TR21, TR22, TR23, y TR24 e indica los modelos actuales de Honeywell que reemplazan.

Tabla 1. Características del Módulo de pared TR21-TR24.<sup>a</sup>

Modelo número		Tipo de Elemento Sensor	Tipo de sensor		Punto de ajuste seleccionable: 55°F to 85°F, 13°C to 30°C, o Relativa (- a +)	Botón de anulación manual con LED	Conector LON	Cambios del Ventilador	
Modelo de Módulo de pared Honeywell	Reemplaza el Modelo Honeywell		Temp	Humedad					
TR21	T7770A1006	20K ohms no lineal	✓					n/a	
TR21-A	T7770A3002	10K ohms no lineal para promediar únicamente	✓						
TR21-H	n/a	20K ohms no lineal	✓	✓			✓		
TR21-J	T7770A2004		✓				✓		
TR22	T7770B1004 T7770B1020 T7770B1046		✓		✓				✓
TR23	T7770C1002 T7770C1028 T7770C1044		✓		✓		✓		✓
TR23-H	n/a		✓	✓	✓		✓		✓
TR23-N <sup>b</sup>	T7770C1051		✓		✓		✓		✓
T24	T7770D1000		✓				✓		✓
TR22-F5	n/a		✓		✓				✓
TR23-F3	T7770E1023		✓		✓		✓		✓
TR23-F5	T7770F1005		✓		✓		✓		✓
TR23-KL <sup>c</sup>	n/a		✓		Regulador no incluido <sup>d</sup>		✓		✓
TR23-H-KL <sup>c</sup>			✓	✓	Regulador no incluido <sup>d</sup>		✓	✓	

<sup>a</sup> Una marca de verificación (✓) indica que la característica está incluida en el módulo de pared.

- b El TR23-N no tiene el logo de Honeywell en la cubierta.
- c Se vende en paquetes de 20.
- d Consultar la Tabla 5 para conocer los números de los modelos.

NOTA: Refiérase a los Módulos de pared TR21, TR22, TR23, y TR24 - Instrucciones de instalación, forma 62-0267, para los diagramas de cableado. Algunas características pueden no estar disponibles en todos los controladores.

## Dimensiones del módulo

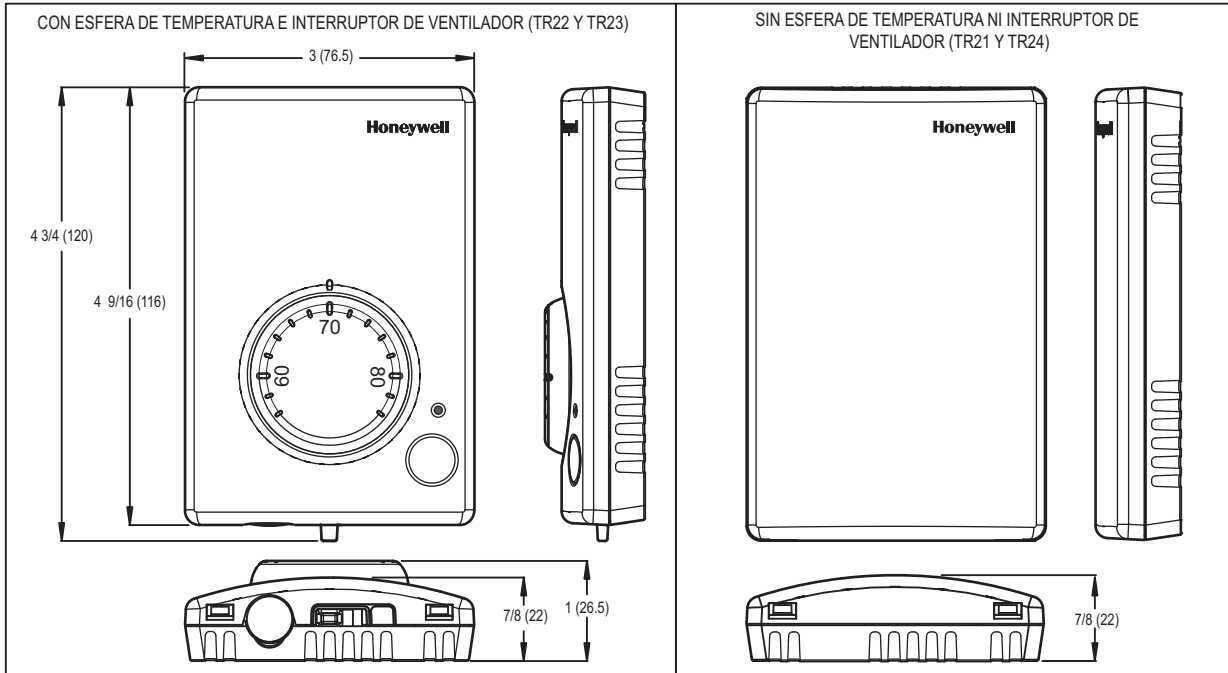
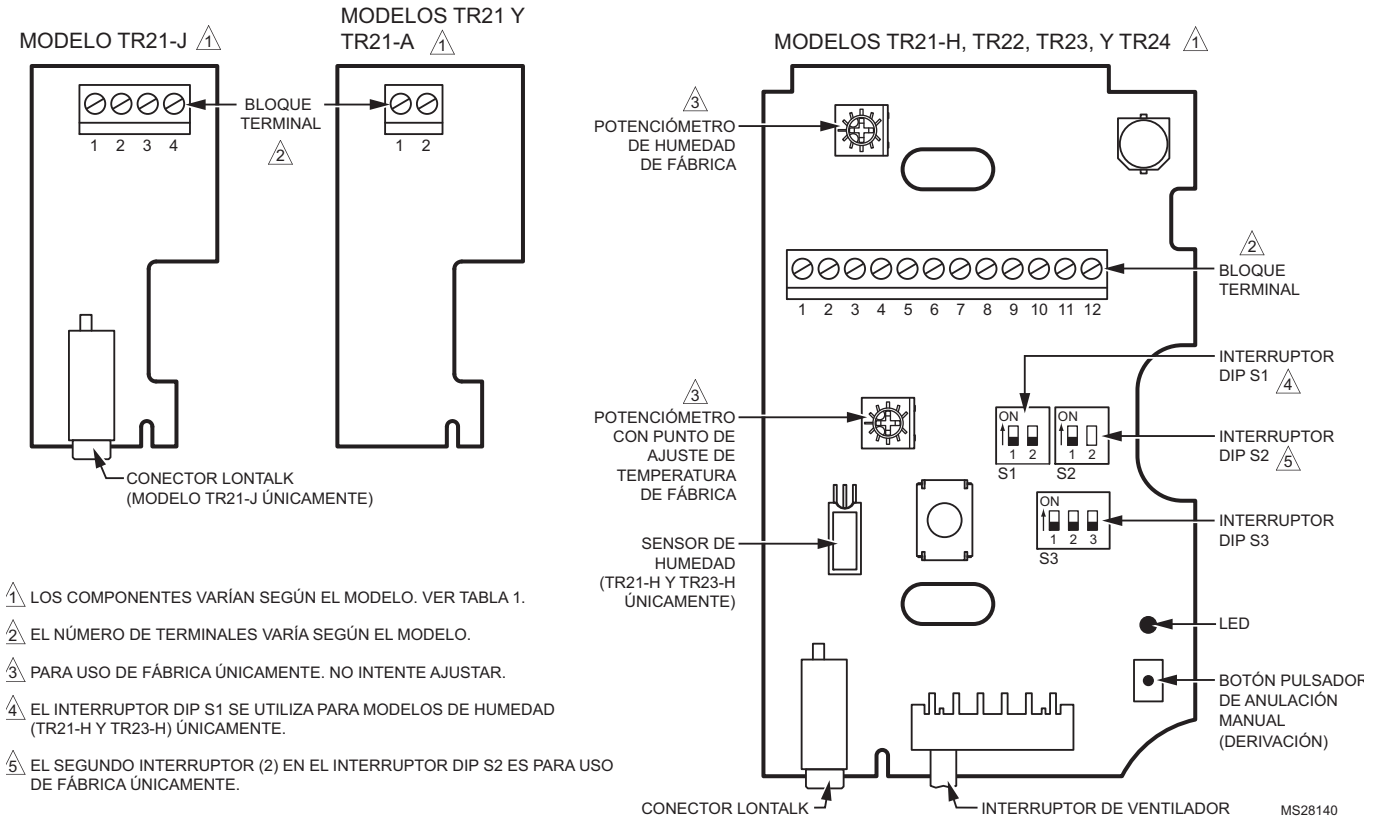


Fig. 2. Dimensiones del módulo de pared en pulgadas (mm).

## Circuito Impreso

La Fig. 3 ilustra la ubicación del bloque terminal y otras características de los circuitos impresos de los modelos TR21, TR22, TR23, y TR24. La Tabla 2 en la página 4 describe las conexiones terminales por número de modelo.

MÓDULOS DE PARED TR21, TR22, TR23, Y TR24



- 1 LOS COMPONENTES VARIAN SEGÚN EL MODELO. VER TABLA 1.
- 2 EL NÚMERO DE TERMINALES VARÍA SEGÚN EL MODELO.
- 3 PARA USO DE FÁBRICA ÚNICAMENTE. NO INTENTE AJUSTAR.
- 4 EL INTERRUPTOR DIP S1 SE UTILIZA PARA MODELOS DE HUMEDAD (TR21-H Y TR23-H) ÚNICAMENTE.
- 5 EL SEGUNDO INTERRUPTOR (2) EN EL INTERRUPTOR DIP S2 ES PARA USO DE FÁBRICA ÚNICAMENTE.

Fig. 3. Componentes del circuito impreso del módulo de pared.

Tabla 2. Conexiones del terminal de los módulos de pared TR21, TR22, TR23, y TR24.<sup>a</sup>

Módulo de pared Modelo	Cuando se Utiliza con el (los) Modelo(s) de Controlador)	Utilización del terminal y número (Ver Fig. 3 en la página 3)											
		GND <sup>b</sup>	Sensor	LON + <sup>c</sup>	LON -	SETPT (Punto de ajuste)	Restitución de la anulación manual	LED	Restitución de la LED	Anulación manual/ ventilador	Anulación manual	Humedad	18-24 Vac <sup>d</sup>
		1	2	3	4	5	6	7	8	9	10	11	12
TR21	W7761	✓	✓										
TR21-A		✓	✓										
TR21-H		✓	✓	✓	✓						✓	✓	
TR21-J		✓	✓	✓	✓								
TR22-F5	<ul style="list-style-type: none"> <li>• W7750, W7751, W7752, y W7753</li> <li>• Excel 600, 500, 100, and 80</li> </ul>	✓	✓	✓	✓	✓				Ventilador			
TR23		✓	✓	✓	✓	✓							
TR23-N		✓	✓	✓	✓	✓							
T24		✓	✓	✓	✓								
TR23	W7753	✓	✓	✓	✓	✓		✓			✓		
TR23-F3		✓	✓	✓	✓	✓		✓		Ventilador	✓		
TR23-F5		✓	✓	✓	✓	✓		✓		Ventilador	✓		
TR23-H		✓	✓	✓	✓	✓		✓			✓	✓	✓
T24		✓	✓	✓	✓			✓			✓		

Tabla 2. Conexiones del terminal de los módulos de pared TR21, TR22, TR23, y TR24.<sup>a</sup> (Continued)

Módulo de pared Modelo	Cuando se Utiliza con el (los) Modelo(s) de Controlador)	Utilización del terminal y número (Ver Fig. 3 en la página 3)											
		GND <sup>b</sup>	Sensor	LON + <sup>c</sup>	LON -	SETPT (Punto de ajuste)	Restitución de la anulación manual	LED	Restitución de la LED	Anulación manual/ ventilador	Anulación manual	Humedad	18-24 Vac <sup>d</sup>
		1	2	3	4	5	6	7	8	9	10	11	12
TR23	<ul style="list-style-type: none"> <li>W7750, W7751, y W7752</li> <li>Spyder: PUL, PVL</li> </ul>	✓	✓	✓	✓	✓		✓		Anulación manual			
TR23-F3		✓	✓	✓	✓	✓		✓		Anulación manual/ ventilador			
TR23-F5		✓	✓	✓	✓	✓		✓		Anulación manual/ ventilador			
TR23-H		✓	✓	✓	✓	✓		✓		Override		✓	✓
T24		✓	✓	✓	✓			✓		Override			
TR23-F3	Excel 600, 500, 100, y 80 con Ventilador	✓	✓	✓	✓	✓		✓	✓	Anulación manual/ ventilador			
TR23-F5		✓	✓	✓	✓	✓	✓	✓	✓	Anulación manual/ ventilador			
TR23	Excel 600, 500, 100, y 80 sin Ventilador	✓	✓	✓	✓	✓	✓	✓	✓	Anulación manual			
TR23-H		✓	✓	✓	✓	✓	✓	✓	✓	Anulación manual		✓	✓
T24		✓	✓	✓	✓		✓	✓	✓	Anulación manual			

<sup>a</sup> Una marca de verificación (✓) indica que se utilice el terminal en este módulo de pared y configuración de controlador.

<sup>b</sup> Conexión a tierra.

<sup>c</sup> Los terminales LonWorks® (+ y -) no los afecta la polaridad.

<sup>d</sup> Energía procedente del controlador para alimentar el sensor de humedad.

## Comunicaciones

Todos los módulos de pared (excepto los modelos TR21 y TR21-A) tienen un puerto de comunicación con conector macho de enlace común LONMARK®. Si fuese necesario, el conector deberá retirarse en el campo y los terminales 3 y 4 cablearse de acuerdo con las instrucciones de instalación.

La comunicación con el conector de enlace común LONMARK® no aplica cuando los módulos de pared se utilizan con los controladores Excel 600/500/100/80. El conector de enlace común LONMARK® no está afectado por la polaridad, minimizando los errores de instalación debido a fallas en el cableado.

El tamaño de cable recomendado para el conector de enlace común LONMARK® es cable de conductor sólido Nivel IV, 22 AWG (0,34 mm<sup>2</sup>) de clasificación plenum o no plenum, sin protección, par torcido.

## Ajuste de punto de ajuste TR22 y TR23

Para los módulos de pared TR22 y TR23 con un ajuste de punto de ajuste, se debe programar el controlador según los valores de la Tabla 3 y Tabla 4.

Tabla 3. Valores del Punto de Ajuste.

Valor del punto de Ajuste	Configuración del programa
55°F (13°C)	2.773 V
65°F (18°C)	2.148 V
75°F (24°C)	1.345 V
85°F (29°C)	0.43 V

Tabla 4. Configuración del punto de ajuste del módulo de pared.

Modelo	Punot de ajuste	Resistencia (Ohms)
°F Absolutos	55°F	9574
	85°F	1426
Relativos	Desfase de -9°F desde 70°F	9574
	Desfase de +9°F desde 70°F	1426
°C Absolutos	12°C	9945
	30°C	1150

## TR23-KL y TR23-H-KL

TR23-KL y TR23-H-KL se suministran en paquetes de 20 y sin reguladores de ajuste de punto de consigna. Los reguladores pueden solicitarse por separado. Consultar la Tabla 5 para conocer los números de los modelos.

Tabla 5. Número de modelos de reguladores.

Modelo	Descripción
REGULADOR C	Regulador en escala Celsius
REGULADOR F	Regulador en escala Fahrenheit
REGULADOR O	Regulador en escala relativa

## Configuración de la Humedad (Interruptor DIP S1)

La modalidad de control de detección de la humedad se configura con este interruptor DIP de 2 posiciones. Refiérase a la Fig. 3 en la página 4 para la ubicación del interruptor DIP S1.

NOTA: Estas configuraciones de interruptores aplican únicamente a los modelos TR21-H y TR23-H.

Para cambiar la configuración, primero desconecte la energía, luego coloque **SW1** y **SW2** de acuerdo a la Tabla 6.

Las configuraciones de los interruptores se utilizan para indicar el control de detección entre el detector de humedad en el módulo de pared y el modelo de controlador conectado.

Tabla 6. DIP Configuraciones del interruptor DIP S1.

Modelo de Módulo de Pared	Control de Detección	Interruptores Individuales	
		1	2
TR21-H TR23-H	0-10 Vdc	OFF (apagado)	OFF (apagado)
	0-5 Vdc	OFF (apagado)	ON (encendido)
	4-20 mA	ON (encendido)	OFF (apagado)

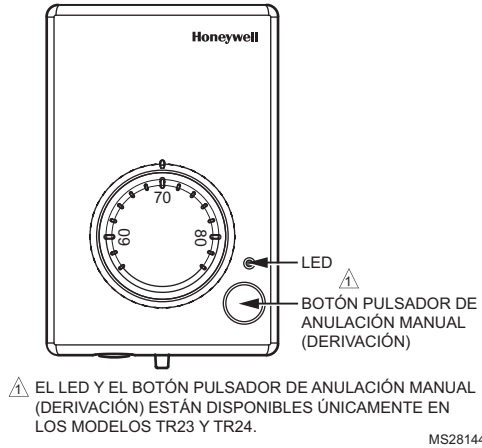
## Interruptores DIP S2 y S3

Refiérase a la Fig. 3 en la página 4 para la ubicación de estos interruptores DIP. Para configurar estos interruptores DIP, refiérase a los módulos de pared TR21, TR22, TR23, y TR24 - Instrucciones de instalación, forma 62-0267.

## Botón Pulsador de Anulación Manual (Derivación) y Funcionamiento del LED para el Módulo de Pared TR23 y TR24

### Cuando se Utiliza con los Controladores Excel 10:

Los controladores Excel 10 (W7750, W7751, W7752, y W7753) proporcionan puntos de ajuste de temperatura cronometrados para ocupado/sin ocupación para el módulo de pared, ver Fig. 4. El botón pulsador para anulación manual se utiliza para cambiar el controlador a las modalidades ilustradas en la Tabla 7 e ilustrados en la Fig. 5 en la página 7. El LED de anulación manual (derivación) muestra el status de anulación manual del controlador.

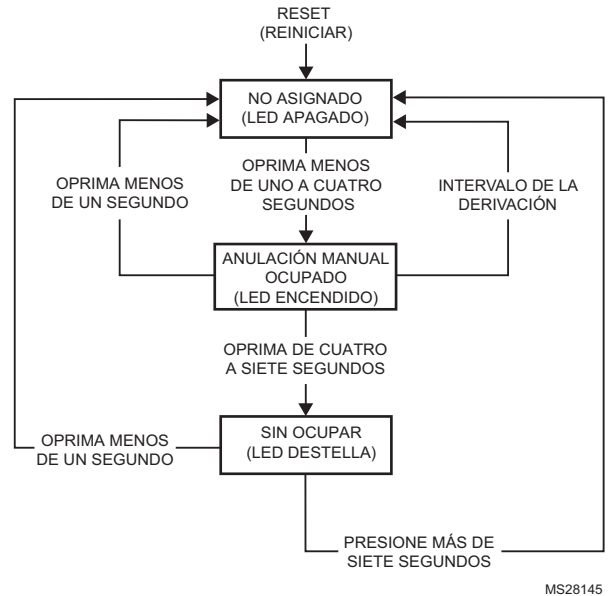


**Fig. 4. Ubicación del LED y el botón pulsador de anulación manual (Se ilustra el módulo de pared TR23-F).**

**Tabla 7. Funcionamiento del módulo de pared.**

Botón Pulsador Oprimido	Modelo del Controlador	Status del LED
0 a 1 segundo	Sin anulación manual	Off (apagado)
1 a 4 segundos	Anulación manual cronometrada ocupado	On (encendido)
4 a 7 segundos	Anulación manual sin ocupar	Un destello por segundo
Más de 7 segundos	Sin anulación manual	Off (apagado)
no es aplicable	Anulación manual ocupado continuamente <sup>a</sup>	Dos destellos por segundo

<sup>a</sup> Función remota generada desde la red.



**Fig. 5. Funcionamiento del botón pulsador de anulación manual.**

**Cuando se utiliza con los controladores Excel 600/500/100/80:**

El ingeniero/programador de la aplicación puede programar la anulación manual (derivación) y el LED para que funcionen de cualquier manera que se desee. La entrada para anulación manual (derivación) es un contacto en seco, normalmente abierto, de entrada digital momentánea cuando el módulo de pared no tiene un interruptor de ventilador. Cuando un interruptor de velocidad de ventilador (básicamente una serie de resistencias basadas en la posición del interruptor de ventilador) está presente, el botón de anulación manual es una entrada analógica. Ver Tabla 9 en la página 8 para las resistencias.

**Cuando se Utiliza con el Termostato T7350:**

TR21, TR21-A, TR21-H, TR22, TR23, y TR24 son los modelos compatibles con el termostato T7350. Cuando se utiliza con el termostato T7350 asegúrese de utilizar la perilla de desplazamiento relativa +/- únicamente. Las perillas para Centígrados y Fahrenheit no funcionan adecuadamente con el termostato T7350.

**Módulo de pared TR22-F5, TR23-F3, y TR23-F5**

Con el interruptor en la posición de la extrema izquierda (Auto), el ventilador opera automáticamente a la velocidad determinada por el algoritmo de control de temperatura del controlador.

Con el interruptor en la posición 0, el ventilador está apagado. La posición 1 es velocidad del ventilador 1, etc..

El interruptor de velocidad del ventilador en el módulo de pared anula el algoritmo de control de temperatura.

**Cuando se utiliza con los controladores Excel 10:**

Los controladores Excel 10 (W7750, W7751, W7752, y W7753) pueden programarse de modo que el interruptor de velocidad del ventilador y el botón de anulación manual funcionen de la manera que el ingeniero/programador de la aplicación desee. Ver Tabla 8 para las resistencias de programación del controlador. El interruptor 1 en Interruptor Dip S2 añade resistencia de 10k Ohms cuando está ABIERTO (para los controladores Excel 600-80) y lo retira cuando está CERRADO (para controladores Excel 10).

**Cuando se utiliza con los controladores Excel 600/500/100/80:**

Los controladores Excel 600/500/100/80 pueden programarse de modo que el interruptor de velocidad del ventilador y el botón de anulación manual funcionen de la manera que el ingeniero/programador de la aplicación desee. Ver Tabla 9 en la página 8 para las resistencias de programación del controlador. El interruptor 1 en Interruptor Dip S2 añade resistencia de 10k Ohms cuando está ABIERTO (para los controladores Excel 600-80) y la retira cuando está CERRADO (para controladores Excel 10).

**Tabla 8. Configuraciones de programa para módulos de pared con interruptor de ventilador que utilizan controladores Excel 10..**

Para la posición del interruptor	Resistencia (Ohms)	Comentario
Auto (automático)	1861 ±119	Posición extrema izquierda
0	2686 ±127	Posición ventilador apagado
1	3866 ±139	
2	304 ±130	
3	460 ±146	Posición extrema derecha
Botón de anulación manual cerrado	Circuito cerrado	

**Tabla 9. Configuraciones de programa para módulos de pared con interruptor de ventilador que utilizan controladores Excel 600/500/100/80.**

Para la posición del interruptor	Resistencia (Ohms)	Comentario
Auto (automático)	11.861K ±119	Posición extrema izquierda
0	12.686K ±127	Posición ventilador apagado
1	13.866K ±139	
2	13.04K ±130	
3	14.60K ±146	Posición extrema derecha
Botón de anulación manual cerrado	10K ±100	

LONWORKS® es una marca registrada de Echelon® Corporation.

LONMARK® y el logo LonMark son marcas registradas de LonMark Association.

By using this Honeywell literature, you agree that Honeywell will have no liability for any damages arising out of your use or modification to, the literature. You will defend and indemnify Honeywell, its affiliates and subsidiaries, from and against any liability, cost, or damages, including attorneys' fees, arising out of, or resulting from, any modification to the literature by you.

**Automatización y control desenlace**

Honeywell International Inc.  
1985 Douglas Drive North  
Golden Valley, MN 55422  
customer.honeywell.com

Honeywell Limited-Honeywell Limitée  
35, Dynamic Drive  
Toronto, Ontario M1V 4Z9



Impreso en E.U.A. en papel reciclado con un mínimo de 10% de fibras de papel postconsumidor.

