

**Honeywell Home**



# UV100A Ultraviolet System

UV100A1000, UV100A1018, UV100A1059,  
UV100A2008

**OWNER'S GUIDE**



**IMPORTANT**

*Please read these instructions and keep them in your records.*

## HOW YOUR ULTRAVIOLET AIR TREATMENT SYSTEM OR SURFACE TREATMENT SYSTEM WORKS

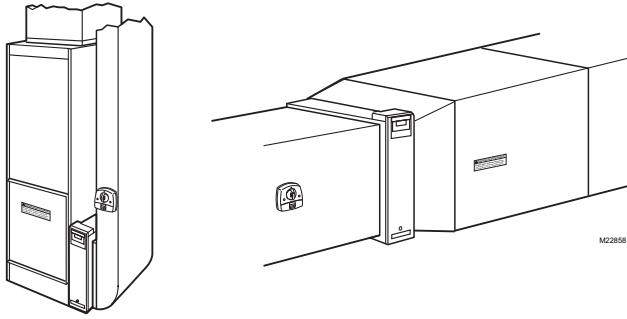
Depending on installation, your Ultraviolet System can operate as an Air Treatment System or as a Surface Treatment System.

### **Air Treatment System**

Installed in the return air duct of your system, your Ultraviolet Air Treatment System kills a high percentage of airborne germs circulating through your forced air heating and cooling system. Individual results depend on careful installation and maintenance and on the actual amount of time your system fan operates. See Fig. 1.



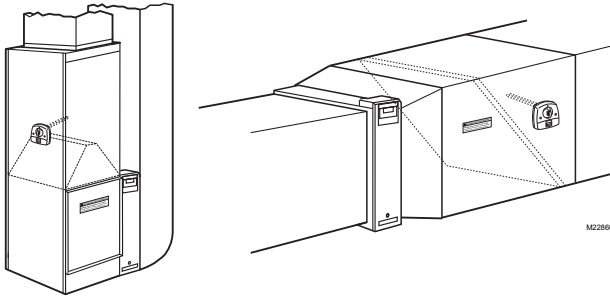
69-1381-06



**Fig. 1. Typical Air Treatment System installations.**

## Surface Treatment System

When installed next to the cooling coil of your system, your Ultraviolet Surface Treatment System prevents a high percentage of the growth of micro-organisms such as mold that may grow on duct surfaces, coils, and drain pans. Individual results depend on careful installation and maintenance. See Fig. 2.



**Fig. 2. Typical surface treatment installations.**

You can capture and minimize micro-organisms passing through your forced air system when you combine your UV System with a high-efficiency air filtration system like an electronic air cleaner. Talk to your installer about adding an electronic air cleaner to complement your UV System and provide added protection for you and your family.

# BE SURE TO READ WARNINGS AND CAUTIONS BEFORE USING YOUR UV SYSTEM



## **! WARNING**

### **UV Light Hazard.**

**Harmful to bare skin and eyes.**

**Can cause temporary or permanent loss of vision.**

Never look at bulbs while illuminated.

View illumination only through light indicator located on lamp handle.

To prevent exposure to ultraviolet light, disconnect power to Ultraviolet System before servicing any part of heating and air conditioning system.

Do not mount device in location that allows ultraviolet light to be seen after installation.

Do not attempt to bypass duct mount switch.

Do not attempt to open housing; unit is sealed to prevent ultraviolet light exposure.



## **CAUTION**

**Personal Injury Hazard.**

**Power supply can cause electrical shock.**

Disconnect power supply before cleaning or replacing ultraviolet bulb(s).

Do not open base unit or lamp handle; there are no user-serviceable components inside.



## **CAUTION**

**Breakable Glass Hazard.**

**Can cause personal injury.**

Be careful when inserting bulb(s) into lamp base.

Wear protective gloves when handling bulb(s).



## **CAUTION**

**UV Lamp Burn Hazard.**

**Harmful to bare skin.**

**Can cause severe burns.**

Disconnect power 15 minutes before removing the ultraviolet bulb(s)



## **MERCURY NOTICE**

This device contains mercury in the sealed ultraviolet bulb(s). Do not place your used bulb(s) in the trash. Dispose of properly.

Broken Bulb Cleanup.

Do not use a household vacuum.

Sweep debris (phosphor/glass) into a plastic bag and dispose of properly.

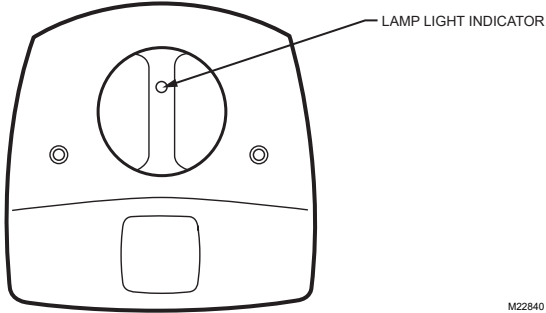
Contact your local waste management authority for instructions regarding recycling and the proper disposal of old bulb(s).

## HOW YOU CAN CHECK YOUR ULTRAVIOLET SYSTEM

Your UV System is designed to prevent accidental contact with electrical voltage and with ultraviolet rays in the sealed unit—the ultraviolet lamp does not illuminate unless the base is mounted on your forced air system duct.

It is recommended that every month you verify that your ultraviolet lamp is operating. *View the bulb only through the lamp light indicator on the lamp handle. See Fig. 3.*

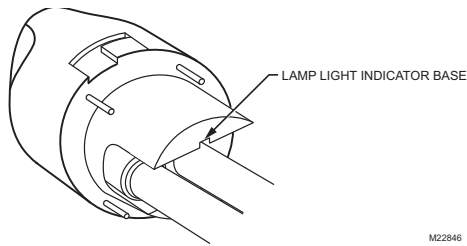
*Do not attempt to look into the duct at the illuminated bulb(s).*



M22840

**Fig. 3. Lamp light indicator.**

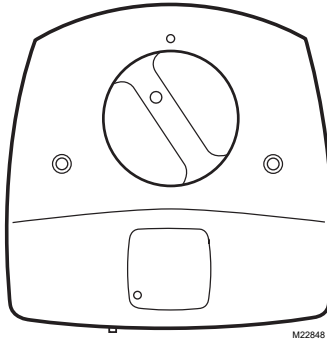




**Fig. 7. Wipe lamp light indicator base.**

M22846

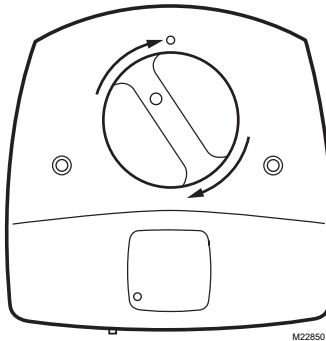
6. Dry bulb with a clean, dry cloth.
7. Insert the bulb into the base with the lamp light indicator at the eleven o'clock position. Continue pushing and gently rotating counterclockwise until the lamp handle inserts fully into the base. See Fig. 8.



**Fig. 8. Position bulb for insertion back into the lamp base.**

M22848

8. Rotate the lamp handle clockwise until it snaps into place with the lamp light indicator aligned with the raised button on the unit cover. See Fig. 9.



**Fig. 9. Snap bulb into place.**

M22850

9. Reconnect power to your UV System.
10. Verify that your ultraviolet bulbs are operating by viewing only through the lamp light indicator on the lamp handle. Never look directly at your bulb while it is illuminated.
11. Reconnect power to your heating and cooling system.

## Bulb Replacement

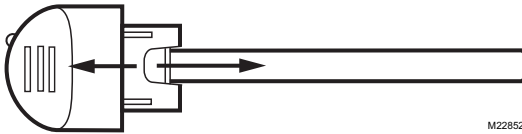
Annual replacement of the bulb in your ultraviolet lamp is required to maintain effectiveness.

1. Obtain the correct replacement bulb/handle assembly or replacement bulb for your unit. See Table 1.

**Table 1. Select a Replacement Bulb/Handle Assembly or Replacement Bulb.**

Unit Description	Replacement Bulb/Handle Assembly	SnapLamp™ Replacement Bulb
UV100A1000 Air Treatment System	UC100E1006	UC18W1004
UV100A1018 Air Treatment System	UC100E1030 (two needed)	UC36W1006 (two needed)
UV100A1059 Surface Treatment System	UC100E1030	UC36W1006
UV100A2008 Surface Treatment System	UC100E1030	UC36W1006

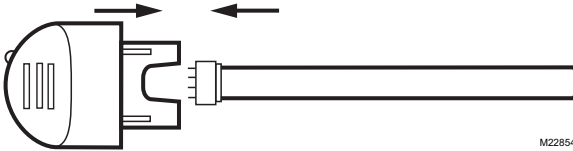
2. Disconnect the power to your heating and cooling system.
3. Unplug or turn off power to your UV System and allow lamps to cool for at least 15 minutes.
4. Rotate the lamp handle counterclockwise and gently pull the lamp handle to remove the bulb. See Fig. 5.
5. If you have a SnapLamp™ handle, follow steps 5 and 6; otherwise, proceed to step 7. Grasp the SnapLamp™ handle in one hand and the lamp glass in the other and pull straight apart. See Fig. 10.



M22852

**Fig. 10. Disconnect lamp glass from SnapLamp™ handle.**

6. Insert the new lamp glass into the SnapLamp™ handle by aligning the key and pushing straight together. See Fig. 11.



M22854

**Fig. 11. Replace lamp glass in SnapLamp™ handle.**

7. Insert the bulb into the base with the lamp light indicator at the eleven o'clock position. Continue pushing and gently rotating counterclockwise until the lamp handle inserts fully into the base. See Fig. 8.
8. Rotate the lamp clockwise until it snaps into place with the lamp light indicator aligned with the raised button on the unit cover. See Fig. 9.
9. Reconnect power to your UV System.
10. Verify that your ultraviolet bulb is operating by viewing only through the lamp light indicator on the lamp handle. Never look directly at your bulb while illuminated.
11. Reconnect power to your heating and cooling system.

# 1-YEAR LIMITED WARRANTY

Resideo warrants this product, excluding battery, to be free from defects in workmanship or materials, under normal use and service, for a period of one (1) year from the date of first purchase by the original purchaser. If at any time during the warranty period the product is determined to be defective due to workmanship or materials, Resideo shall repair or replace it (at Resideo's option).

If the product is defective,

- (i) return it, with a bill of sale or other dated proof of purchase, to the place from which you purchased it; or
- (ii) call Resideo Customer Care at 1-800-468-1502. Customer Care will make the determination whether the product should be returned to the following address: Resideo Return Goods, 1985 Douglas Dr. N., Golden Valley, MN 55422, or whether a replacement product can be sent to you.

This warranty does not cover removal or reinstallation costs. This warranty shall not apply if it is shown by Resideo that the defect was caused by damage which occurred while the product was in the possession of a consumer.

Resideo's sole responsibility shall be to repair or replace the product within the terms stated above. RESIDEO SHALL NOT BE LIABLE FOR ANY LOSS OR DAMAGE OF ANY KIND, INCLUDING ANY INCIDENTAL OR CONSEQUENTIAL DAMAGES RESULTING, DIRECTLY OR INDIRECTLY, FROM ANY BREACH OF ANY WARRANTY, EXPRESS OR IMPLIED, OR ANY OTHER FAILURE OF THIS PRODUCT.

Some states do not allow the exclusion or limitation of incidental or consequential damages, so this limitation may not apply to you.

THIS WARRANTY IS THE ONLY EXPRESS WARRANTY RESIDEO MAKES ON THIS PRODUCT. THE DURATION OF ANY IMPLIED WARRANTIES, INCLUDING THE WARRANTIES OF MERCHANTABILITY AND FITNESS FOR A PARTICULAR PURPOSE, IS HEREBY LIMITED TO THE ONE YEAR DURATION OF THIS WARRANTY. Some states do not allow limitations on how long an implied warranty lasts, so the above limitation may not apply to you.

This warranty gives you specific legal rights, and you may have other rights which vary from state to state. If you have any questions concerning this warranty, please write Resideo Customer Care, 1985 Douglas Dr, Golden Valley, MN 55422 or call 1-800-468-1502.



**resideo**

[www.resideo.com](http://www.resideo.com)

Resideo Technologies, Inc.  
1985 Douglas Drive North, Golden Valley, MN 55422  
1-800-468-1502  
69-1381-06 M.S. Rev. 09-20 | Printed in United States