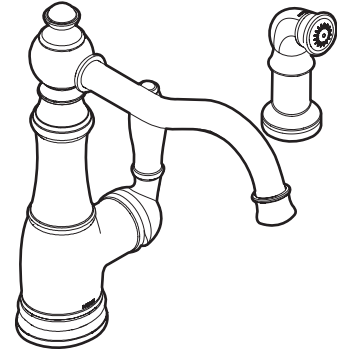




Buy it for looks. Buy it for life.®

Specifications



WEYMOUTH™ Single Handle Single Hole Mount High Arc Kitchen Faucet

Models: S72101 series with spray

NOTE: THIS FAUCET IS DESIGNED TO BE INSTALLED THROUGH 1 OR 2 HOLES: A 1-1/2" (38MM) MIN. DIA. HOLE FOR VALVE AND A 1-1/4" (32MM) MIN. DIA. HOLE FOR SIDE SPRAY.



FAUCET DESCRIPTION

- Metal construction with various finishes identified by suffix
- Includes matching side spray with Duralock quick connect system
- Single hole mounting
- Flexible supply lines with 3/8" compression fittings
- 360° rotating spout

OPERATION

- Single handle lever
- Temperature controlled by 100° arc of handle travel
- Faucet may be installed with or without side spray

FLOW

- Spout flow is limited to 1.5 gpm (5.7 L/min) at 60 psi

CARTRIDGE

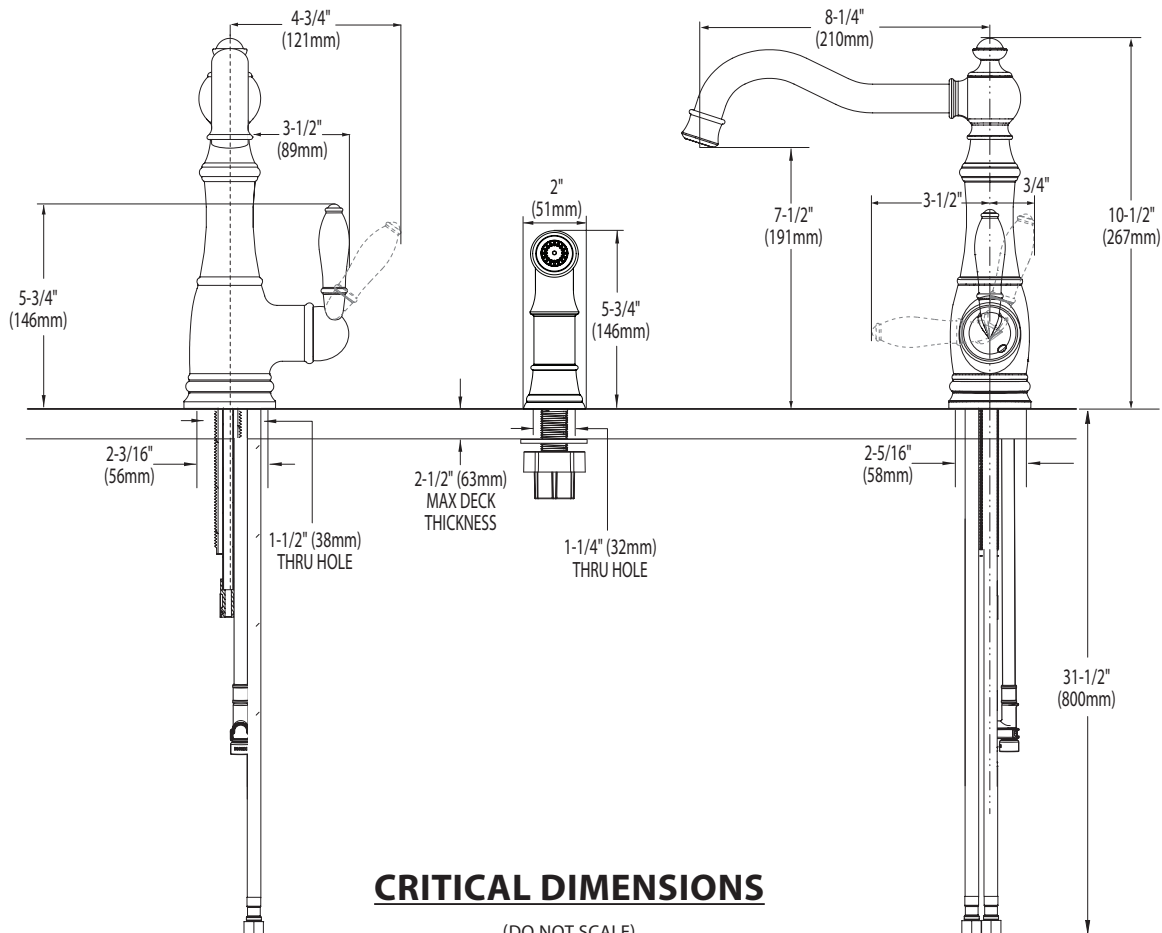
- 1255™ Duralast™ cartridge for Single-Handle Faucets

STANDARDS

- Third party certified to IAPMO Green, ASME A112.18.1/CSA B125.1 and all applicable requirements referenced therein including NSF 61/9 & 372
- Meets CalGreen and Georgia SB370 requirements
- Complies with California Proposition 65 and with the Federal Safe Drinking Water Act
- **ADA** for lever handle

WARRANTY

- Lifetime limited warranty against leaks, drips and finish defects to the original homeowner
 - 10 year limited warranty when used in a multifamily installation
 - 5 year limited warranty when used in a commercial installation
- Visit www.moen.com/support for complete details and limitations



CRITICAL DIMENSIONS

(DO NOT SCALE)