

SPECIFICATION: (example)

- Deck mount electronic lavatory faucet with above deck electronics
- Sensor detects user's hand to activate water flow
- 6 1.5V "AA" Batteries (included)
- Adjustable maximum run time
- Adjustable sensor range
- Red light indicator blinks when battery is low
- Vandal resistant (wrench flat)
- 0.5 gpm (1.9 L/min) spray outlet

DEMD-301 SERIES

- Electronic faucet for cold or pre-mixed water

 DEMD-301LF (Chrome)
 DEMD-301LF-NS (Nickel Stainless)
DEMD-311 SERIES

- Electronic faucet with mixer to adjust temperature

 DEMD-311LF (Chrome)
 DEMD-311LF-NS (Nickel Stainless)
OPERATION
Sensing Range:

- Factory set to 8.0" ± 1.5" (200 mm ± 40 mm)
- Adjustable from 3.15" to 11.8" (80 mm to 300 mm)

Maximum Run Time:

- 90 seconds, adjustable with remote control

OPTIONAL ACCESSORIES (Order Separately)
 060967A

- Remote Control (Optional) – allows adjustment of sensor range, maximum run time, delayed close time, temporary shutoff for cleaning and factory settings reset

 060585A

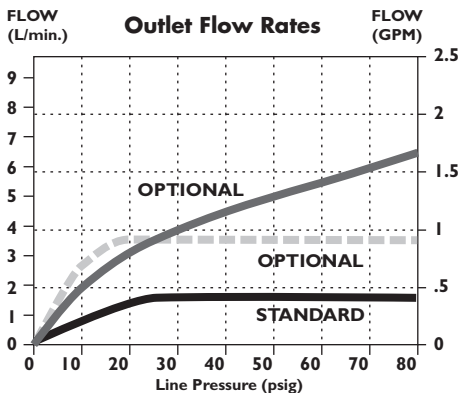
- Optional 4" forged coverplate (for Chrome finish models only)

 060961A (Chrome)
 060961ANS (Nickel Stainless)

- Optional 1.0 gpm (3.8 L/min) aerator

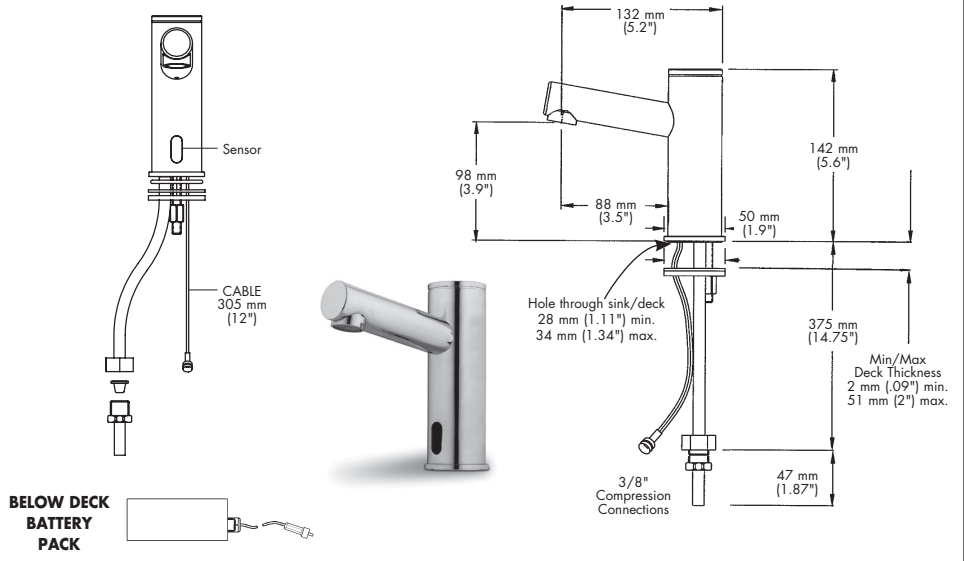
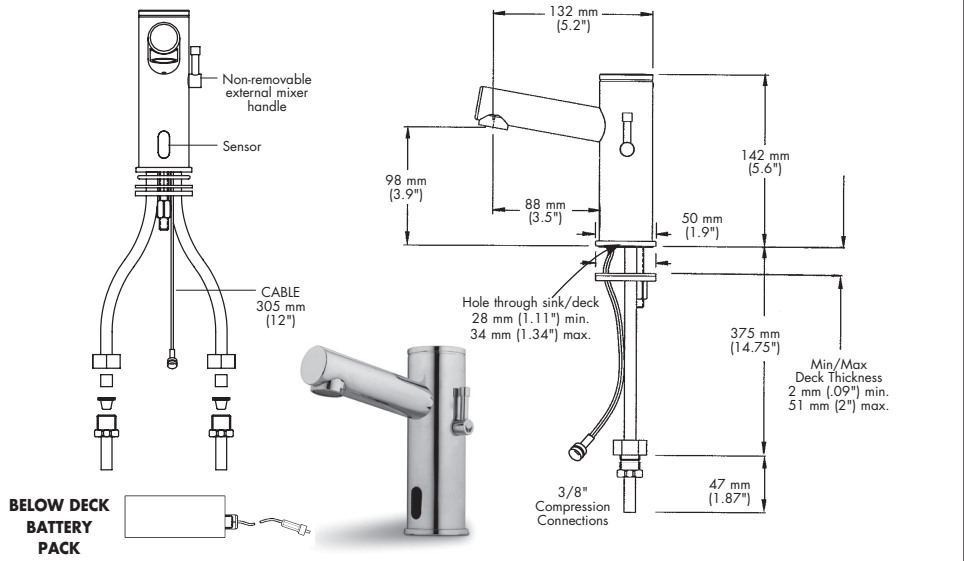
 061118A (Chrome)
 061118ANS (Nickel Stainless)

- Optional 1.5 gpm (5.7 L/min) Careguard[®] laminar outlet

FLOW RATE vs PRESSURE

Approvals:


- IAPMO certified
- Complies to ASME A112.18.1/CSA B125.1
- Indicates compliance to ICC/ANSI A117.1
- Verified compliant with 0.25% weighted average Pb content regulations

(Contact Delta Representative for State and/or Local Approvals.)

DEMD-301LF (BATTERY OPERATED WITH NO MIX)

DEMD-311LF (BATTERY OPERATED WITH USER MIX)

HARDWIRE CONVERSION OF DEMD-300 SERIES

Requires **SEPARATE** order of either:

- (A)** One 060958A DEMD plug in power supply, output 9VDC **OR** **(B)** One 060704A hardwire 20VA transformer (120VAC to 24VAC)
PLUS One 060974A DEMD converter (24VAC to 9VDC)

Note: Measurements may vary ± 6mm (0.25")