



Clean Ream Extreme®

Instructions

PPR75, PPR100, PPR125, PPR150, PPR200, PPR250, PPR300, PPR400

ASSEMBLY

1. Insert Shaft into Body.
2. Make sure shaft is all the way through and flush with the bottom of the reamer.
3. Using a 1/8" Allen wrench, tighten set screw.

Applies to: 04521, 04522, 04523, 04524, 04525, 04526, 04527, 04528, 04532
Plus Discontinued: 04520, 04529

NOTE: These reamers can be used with standard or cordless drills. For most effective use, run the drill at a low or medium RPM. Do not use impact drills.

WARNING: 3" and 4" fitting reamers create a large reaction torque that can cause injury to operator, therefore a standard 1/2" right angle drill is recommended. Use caution when using these tools. For reaming 3" or 4", a lower RPM is recommended to reduce heat and possible distortion of the fitting.

INSTRUCTIONS

1. Cut damaged pipe as close to fitting as possible.
2. Select proper size fitting reamer, put it in drill chuck, and tighten.
3. Insert fitting reamer into pipe, ensure tool stays on center to prevent binding. If no chips are being made, remove tool and check.
4. Ream old pipe until proper depth is attained. Proper depth is when old pipe has been completely removed from fitting. Do not ream beyond end of the pipe or into the seat of the fitting. When close to end of ream, stop several times and remove reamer and visually check depth.
5. Remove drill and clean out chips from fitting.

NOT recommended for high pressure supply systems or for vent side of gas burning appliance piping systems.

Reed Manufacturing
Erie, PA USA

www.reedmfgco.com

0623-54521



Clean Ream Extreme®

Instructions

PPR75, PPR100, PPR125, PPR150, PPR200, PPR250, PPR300, PPR400

ASSEMBLY

1. Insert Shaft into Body.
2. Make sure shaft is all the way through and flush with the bottom of the reamer.
3. Using a 1/8" Allen wrench, tighten set screw.

Applies to: 04521, 04522, 04523, 04524, 04525, 04526, 04527, 04528, 04532
Plus Discontinued: 04520, 04529

NOTE: These reamers can be used with standard or cordless drills. For most effective use, run the drill at a low or medium RPM. Do not use impact drills.

WARNING: 3" and 4" fitting reamers create a large reaction torque that can cause injury to operator, therefore a standard 1/2" right angle drill is recommended. Use caution when using these tools. For reaming 3" or 4", a lower RPM is recommended to reduce heat and possible distortion of the fitting.

INSTRUCTIONS

1. Cut damaged pipe as close to fitting as possible.
2. Select proper size fitting reamer, put it in drill chuck, and tighten.
3. Insert fitting reamer into pipe, ensure tool stays on center to prevent binding. If no chips are being made, remove tool and check.
4. Ream old pipe until proper depth is attained. Proper depth is when old pipe has been completely removed from fitting. Do not ream beyond end of the pipe or into the seat of the fitting. When close to end of ream, stop several times and remove reamer and visually check depth.
5. Remove drill and clean out chips from fitting.

NOT recommended for high pressure supply systems or for vent side of gas burning appliance piping systems.

Reed Manufacturing
Erie, PA USA

www.reedmfgco.com

0623-54521



Clean Ream Extreme®

Instructions

PPR75, PPR100, PPR125, PPR150, PPR200, PPR250, PPR300, PPR400

ASSEMBLY

1. Insert Shaft into Body.
2. Make sure shaft is all the way through and flush with the bottom of the reamer.
3. Using a 1/8" Allen wrench, tighten set screw.

Applies to: 04521, 04522, 04523, 04524, 04525, 04526, 04527, 04528, 04532
Plus Discontinued: 04520, 04529

NOTE: These reamers can be used with standard or cordless drills. For most effective use, run the drill at a low or medium RPM. Do not use impact drills.

WARNING: 3" and 4" fitting reamers create a large reaction torque that can cause injury to operator, therefore a standard 1/2" right angle drill is recommended. Use caution when using these tools. For reaming 3" or 4", a lower RPM is recommended to reduce heat and possible distortion of the fitting.

INSTRUCTIONS

1. Cut damaged pipe as close to fitting as possible.
2. Select proper size fitting reamer, put it in drill chuck, and tighten.
3. Insert fitting reamer into pipe, ensure tool stays on center to prevent binding. If no chips are being made, remove tool and check.
4. Ream old pipe until proper depth is attained. Proper depth is when old pipe has been completely removed from fitting. Do not ream beyond end of the pipe or into the seat of the fitting. When close to end of ream, stop several times and remove reamer and visually check depth.
5. Remove drill and clean out chips from fitting.

NOT recommended for high pressure supply systems or for vent side of gas burning appliance piping systems.

Reed Manufacturing
Erie, PA USA

www.reedmfgco.com

0623-54521



Clean Ream Extreme®

Instructions

PPR75, PPR100, PPR125, PPR150, PPR200, PPR250, PPR300, PPR400

ASSEMBLY

1. Insert Shaft into Body.
2. Make sure shaft is all the way through and flush with the bottom of the reamer.
3. Using a 1/8" Allen wrench, tighten set screw.

Applies to: 04521, 04522, 04523, 04524, 04525, 04526, 04527, 04528, 04532
Plus Discontinued: 04520, 04529

NOTE: These reamers can be used with standard or cordless drills. For most effective use, run the drill at a low or medium RPM. Do not use impact drills.

WARNING: 3" and 4" fitting reamers create a large reaction torque that can cause injury to operator, therefore a standard 1/2" right angle drill is recommended. Use caution when using these tools. For reaming 3" or 4", a lower RPM is recommended to reduce heat and possible distortion of the fitting.

INSTRUCTIONS

1. Cut damaged pipe as close to fitting as possible.
2. Select proper size fitting reamer, put it in drill chuck, and tighten.
3. Insert fitting reamer into pipe, ensure tool stays on center to prevent binding. If no chips are being made, remove tool and check.
4. Ream old pipe until proper depth is attained. Proper depth is when old pipe has been completely removed from fitting. Do not ream beyond end of the pipe or into the seat of the fitting. When close to end of ream, stop several times and remove reamer and visually check depth.
5. Remove drill and clean out chips from fitting.

NOT recommended for high pressure supply systems or for vent side of gas burning appliance piping systems.

Reed Manufacturing
Erie, PA USA

www.reedmfgco.com

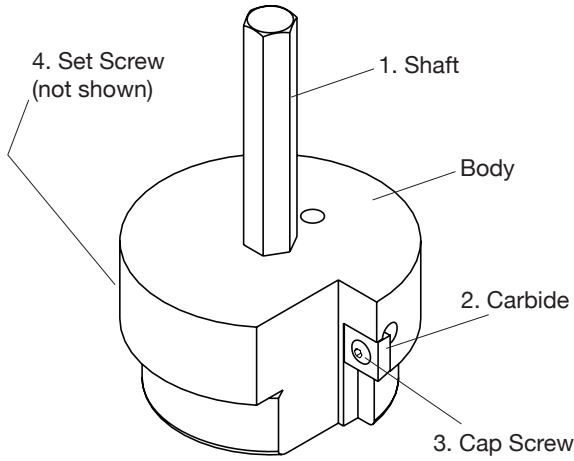
0623-54521



Clean Ream Extreme®

Parts

PPR75, PPR100, PPR125, PPR150, PPR200, PPR250, PPR300, PPR400



Parts List

Ref. No.	Description	3/4" - 1"		Qty.
		Item Code	Item Code	
1	SHAFT	44525	44524	1
2	CARBIDE INSERT	24523	24524	1
3a	8-32 CAP SCREW	—	24525	1
3b	4-40 CAP SCREW	24522	—	1
4	1/4" - 20 SET SCREW	30087	30087	1

Rotate Carbide Insert: Carbide insert has four cutting edges. Change cutting edge by removing the cap screw and rotating the carbide 180° then reinsert cap screw and tighten. Replace carbide as needed.

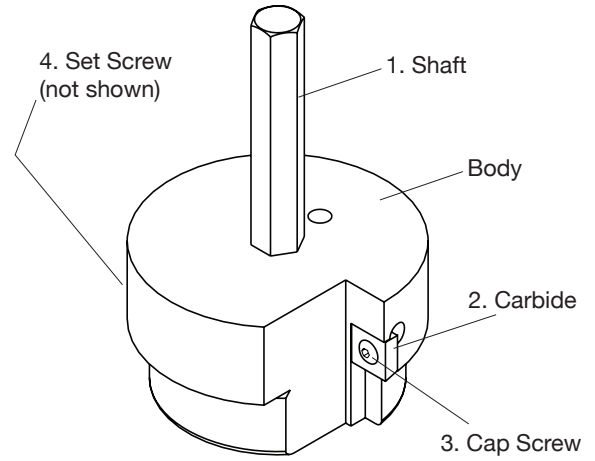
0623-54521
See Also: RP-103



Clean Ream Extreme®

Parts

PPR75, PPR100, PPR125, PPR150, PPR200, PPR250, PPR300, PPR400



Parts List

Ref. No.	Description	3/4" - 1"		Qty.
		Item Code	Item Code	
1	SHAFT	44525	44524	1
2	CARBIDE INSERT	24523	24524	1
3a	8-32 CAP SCREW	—	24525	1
3b	4-40 CAP SCREW	24522	—	1
4	1/4" - 20 SET SCREW	30087	30087	1

Rotate Carbide Insert: Carbide insert has four cutting edges. Change cutting edge by removing the cap screw and rotating the carbide 180° then reinsert cap screw and tighten. Replace carbide as needed.

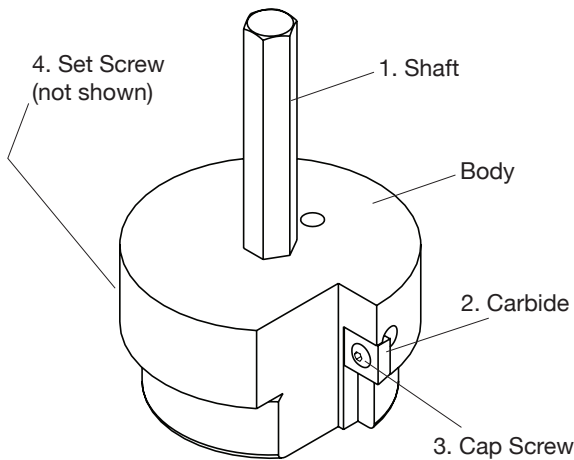
0623-54521
See Also: RP-103



Clean Ream Extreme®

Parts

PPR75, PPR100, PPR125, PPR150, PPR200, PPR250, PPR300, PPR400



Parts List

Ref. No.	Description	3/4" - 1"		Qty.
		Item Code	Item Code	
1	SHAFT	44525	44524	1
2	CARBIDE INSERT	24523	24524	1
3a	8-32 CAP SCREW	—	24525	1
3b	4-40 CAP SCREW	24522	—	1
4	1/4" - 20 SET SCREW	30087	30087	1

Rotate Carbide Insert: Carbide insert has four cutting edges. Change cutting edge by removing the cap screw and rotating the carbide 180° then reinsert cap screw and tighten. Replace carbide as needed.

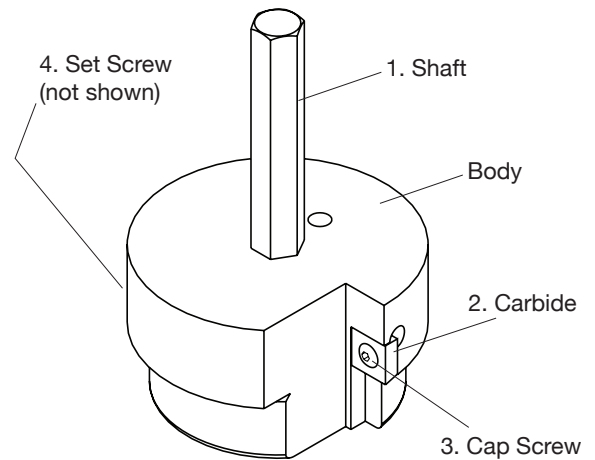
0623-54521
See Also: RP-103



Clean Ream Extreme®

Parts

PPR75, PPR100, PPR125, PPR150, PPR200, PPR250, PPR300, PPR400



Parts List

Ref. No.	Description	3/4" - 1"		Qty.
		Item Code	Item Code	
1	SHAFT	44525	44524	1
2	CARBIDE INSERT	24523	24524	1
3a	8-32 CAP SCREW	—	24525	1
3b	4-40 CAP SCREW	24522	—	1
4	1/4" - 20 SET SCREW	30087	30087	1

Rotate Carbide Insert: Carbide insert has four cutting edges. Change cutting edge by removing the cap screw and rotating the carbide 180° then reinsert cap screw and tighten. Replace carbide as needed.

0623-54521
See Also: RP-103