



# Hydraulic Regal® 952 XL Model Flushometer

► **Models Available**

- Regal 952 XL

► **Description**

Concealed Hydraulically Activated Water Closet Flushometer for wall hung concealed back spud bowls.

► **Flush Cycle**

- Model 952-1.6 Low Consumption (1.6 gpf/6.0 Lpf)
- Model 952 Water Saver (3.5 gpf/13.2 Lpf)

► **Specifications**

Quiet, Concealed, Diaphragm Type, Rough Brass Closet Flushometer for either left or right hand supply with the following features:

- Low Consumption flush accuracy controlled by Para-Flo™ Technology
- ADA Compliant Non-Hold-Open feature type Actuator (**specify Actuator type listed below**)
- 1" I.P.S. Wheel Handle Bak-Chek® Angle Stop
- Adjustable Tailpiece
- Vacuum Breaker
- Double Slip Elbow Flush Connection and Spud Coupling for 1/2" Concealed Back Spud
- High Copper, Low Zinc Brass Castings for Dezincification Resistance
- Fixed Metering Bypass and No External Volume Adjustment to Ensure Water Conservation.
- Sweat Solder Adaptor
- Stop Seat and Vacuum Breaker molded from PERMEX™ Rubber Compound for Chloramine Resistance.

Valve Body, Cover, Tailpiece and Control Stop shall be in conformance with ASTM Alloy Classification for Semi-Red Brass. Valve shall be in compliance to the applicable sections of ASSE 1037.

► **L Dimension**

Specify the "L" Dimension for the proper length of the Flush Connection. The "L" Dimension is equal to the Wall Thickness (to the nearest whole inch) plus 2 3/4".

► **Actuator Types:** (please check one)

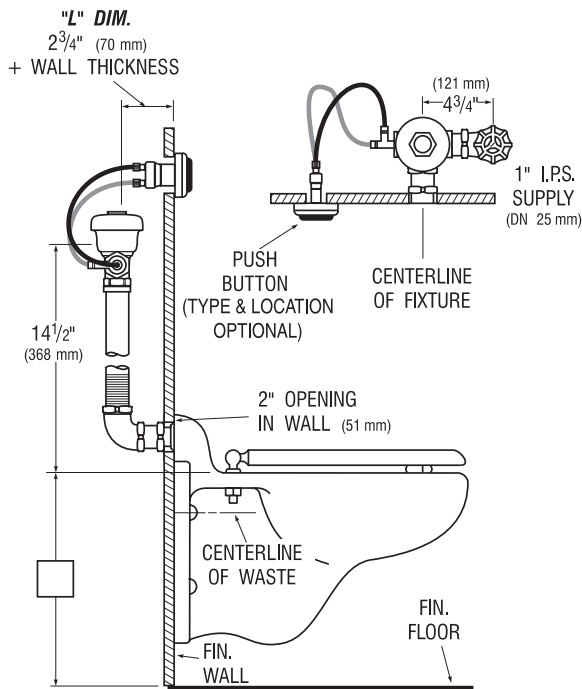
- FW** Fixture Wall Actuator (HY-33-A) (rear access required)
- MP** Metal Partition Actuator (HY-49-A)
- SW** Side Wall Mounted Actuator (HY-72-A)
- MBFW** Metal Button Fixture Wall Actuator (HY-100-A) (rear access required)
- MBPM** Metal Button Panel Mount (HY-108-A)

► **Accessories**

See Accessories Section of the Sloan catalog for available accessories

► **Fixtures**

Consult Sloan for Sloan brand matching fixture options.



See Accessories Section of the Sloan catalog for details on these and other Flushometer variations.



This space for Architect/Engineer approval

Job Name \_\_\_\_\_ Date \_\_\_\_\_

Model Specified \_\_\_\_\_ Quantity \_\_\_\_\_

Variations Specified \_\_\_\_\_

Customer/Wholesaler \_\_\_\_\_

Contractor \_\_\_\_\_

Architect \_\_\_\_\_

The information contained in this document is subject to change without notice.



SLOAN VALVE COMPANY • 10500 SEYMOUR AVE. • FRANKLIN PARK, IL. 60131  
 Ph: 1-800-9-VALVE-9 or 1-847-671-4300 • Fax: 1-800-447-8329 or 1-847-671-4380  
 www.sloanvalve.com