

Features

- 24-3/8" x 19-1/8" pedestal lavatory
- 17-5/16" x 11-1/4" basin
- 34" luxury height
- Integral rear overflow
- Available in single hole, 4" or 8" faucet centers
- The Mansfield® limited lifetime warranty
- Available in White and Standard Colors: Biscuit and Bone



Model 330-8
(Less faucet, drain
assembly and supply)

Components

Model #	Description	Codes/Standards
330	Lavatory with pedestal. Less faucet, drain assembly and supply. Specify color.	
328-1	Lavatory with single hole faucet center. Less faucet, drain assembly and supply. Specify color.	
328-4	Same as above with 4" faucet center. Specify color.	
328-8	Same as above with 8" faucet center. Specify color.	
329	Pedestal only. Specify color.	

Specifications

Model #	Description	Codes/Standards
330	24-3/8" x 19-1/8" Pedestal Lavatory.	

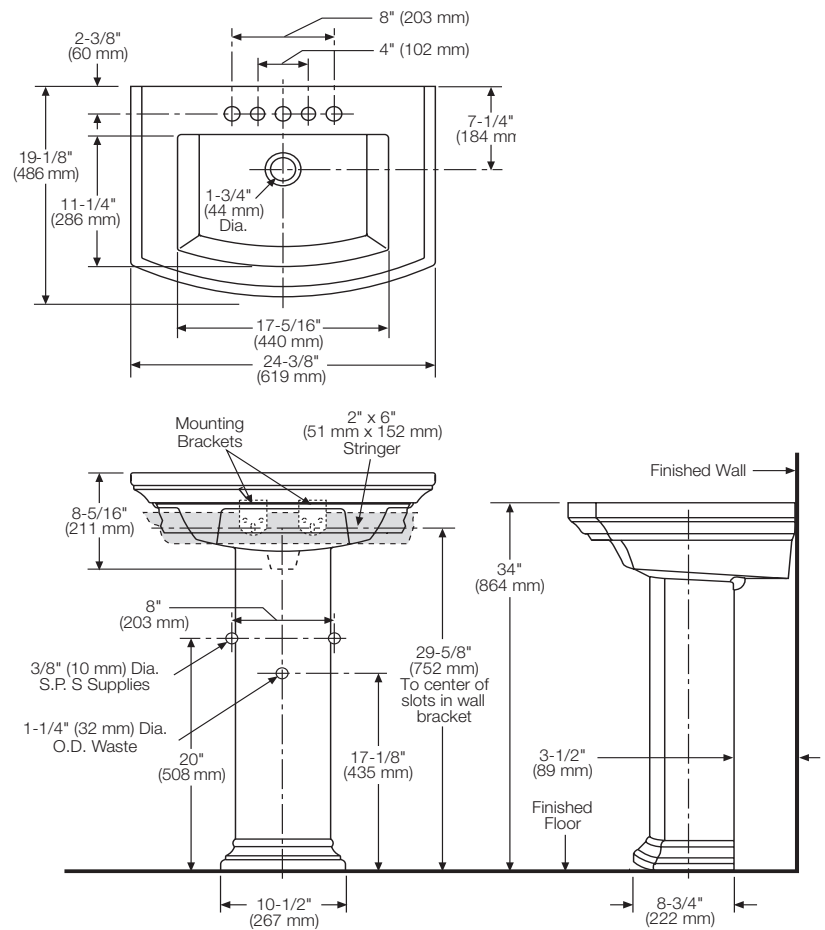
Specification	Description	Specification	Description
Material	Vitreous China	Shipping Weight	Model 328 - 41 lbs. (18 kg)
Warranty	Vitreous China - Limited Lifetime		Model 329 - 32 lbs. (14 kg)
Faucet Holes	Single hole, 4" or 8"		

Technical Information



This pedestal lavatory comes with two heavy-duty plastic mounting brackets. Easily installed and adjusted, each contains three holes for solid mounting against wall. Anchoring screws must be used for correct installation. Standard plumbing practice recommends use of both mounting brackets and anchoring screws.

NOTE: For secure installation, wall-mounting hanger should be fastened to solid, support wall stud.



See our complete line of acrylic and vitreous china bathroom fixtures, plastic tank trim and plumbing products.

These dimensions are nominal and subject to change without notice.

Fixture performance and specifications meet or exceed ASME A112.19.2-2008/CSA B45.1-08 standards, and other state and local codes.