

# 384-386 Summit™ ADA

Elongated Front, SmartHeight™, Vitreous China, Two-Piece Toilet



## Features

- Elongated front, 16-1/2" SmartHeight™ bowl (ADA compliant)
- 1.6 Gpf / 6.0 Lpf
- SmartFasten™ 3-bolt tank-to-bowl connection
- PuraClean™ easy-to-clean glaze
- Decorative metal trip lever
- High performance MagnaFlush™ flushing technology
- 3" flush valve
- Pilot operated anti-siphon fill valve
- 12" rough-in
- 2" glazed trapway
- The Mansfield® limited lifetime warranty on china; Five-year limited warranty on tank trim
- Available in white and standard colors: biscuit and bone





**Model 384-386**  
Toilet seat not included



*Also available as a complete toilet kit.\**

## Components

Model #	Description	Codes/Standards
384-386	Elongated front, SmartHeight™ two-piece toilet. Less toilet seat and supply. Specify color.	 
384	Elongated front, SmartHeight™ toilet bowl only. Less toilet seat. Specify color.	
386	Tank and cover only with left hand, front-mount, chrome-plated, metal trip lever. Less supply. Specify color.	
386RH	Same as 386, with right hand trip lever.	
386LT	Same as 386, with tank liner.	
386FM	Same as 386, with Fluidmaster pilot valve.	
386FMRH	Same as 386, with Fluidmaster pilot valve and right hand trip lever.	
*384CTK	Elongated front, SmartHeight™ complete toilet kit. Includes slow close toilet seat, tank and bowl, flange bolts, wax ring with polyethylene flange and instructions.	




**MADE IN USA**

# 384-386 Summit™ ADA

Elongated Front, SmartHeight™, Vitreous China, Two-Piece Toilet

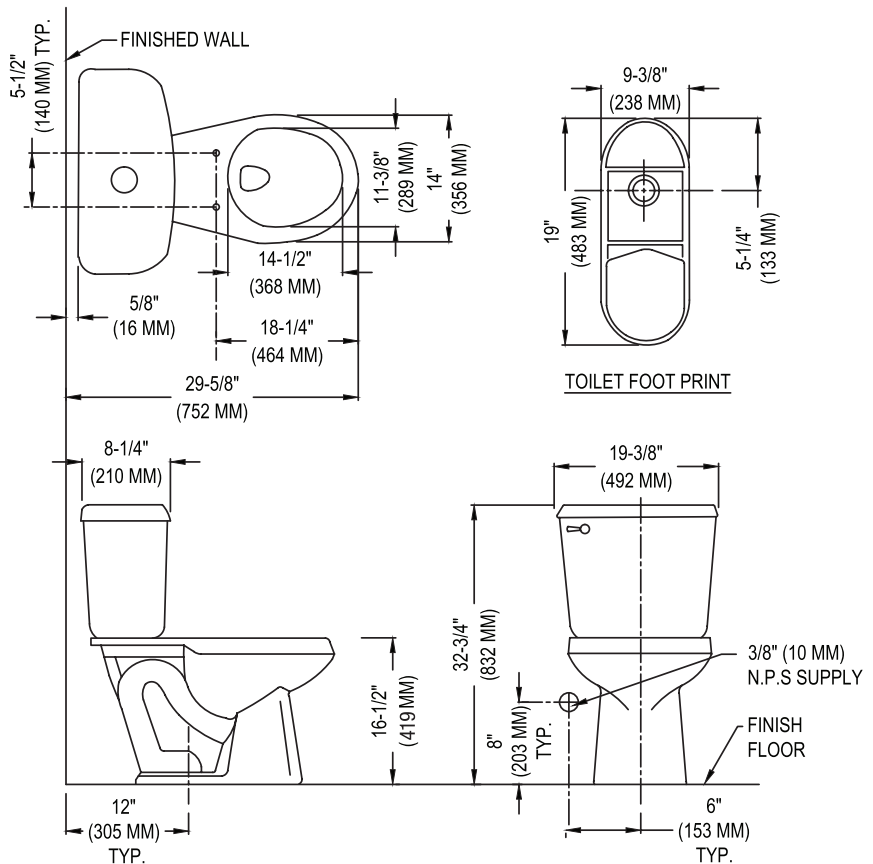


## Specifications

Model #	Description	Codes/Standards
384-386	Elongated front, SmartHeight™ (1.6 Gpf / 6.0 Lpf) two-piece, toilet.	<b>ADA</b> 

Specification	Description	Specification	Description
Material	Vitreous china	Trap Diameter	2"
Water Pressure Range	20 to 80 PSI	Trap Seal	2-3/8"
MaP Rating	1000 grams	Rough-in	12"
Water Usage	1.6 Gpf / 6.0 Lpf	Shipping Weight	Model 384 - 54 lbs
Water Surface Area	9" X 10"		Model 386 - 36 lbs.
		Model 384CTK - 95 lbs.	
Flush System	3" flush valve - MagnaFlush™ Flushing Technology	Warranty	Vitreous China - Limited Lifetime Tank Trim - Limited Five Year

## Technical Information



See our complete line of acrylic and vitreous china bathroom fixtures, plastic tank trim and plumbing products.

These dimensions are nominal and subject to change without notice.

Fixture performance and specifications meet or exceed ASME A112.19.2-2008/CSA B45.1-08 standards, and other state and local codes.



**MADE IN USA**