

# IMPORTANT HOME OWNER INFORMATION



## RESTORE™ WALK-IN TUB

Installation,  
Use and Care Guide



*mansfield*®  


**WARNING****INSTALL TO PERMIT ACCESS FOR SERVICING.****INSTALL THIS UNIT IN ACCORDANCE WITH THE LOCAL ELECTRICAL CODE.****(Canadian electrical code, part 1, for Canada).****NOT APPLICABLE IF UNIT IS SUPPLIED WITH AN ELECTRIC PLUG.****DANGER: RISK OF ELECTRICAL SHOCK.** (Consult local electrical sub code official).

Use this unit only for its intended use as described in this manual. Do not use attachments not recommended by the manufacturer. For indoor use only. Grounding is required. The unit should be installed by a qualified service representative and grounded. The unit must be connected only to a supply circuit that is protected by a ground fault circuit interrupter (GFCI ñ class A in Canada). Such a GFCI should be provided by the installer and should be tested on a routine basis. To test the GFCI, push the test button. The GFCI should interrupt power. Push the reset button. Power should be restored. If the GFCI fails to operate in this manner, there is a ground current flowing, indicating the possibility of an electric shock. Do not use this unit, and have the problem corrected by a qualified service representative before using. For permanently connected units, a green colored terminal is provided within the terminal. To reduce the risk of electric shock, connect this terminal or connector to the grounding terminal of your electric service or supply panel with a conductor equivalent in size to the circuit conductors supplying this equipment. This unit has no user serviceable parts. All service must be performed by a qualified service representative. Each accessory is supplied with its own separate operating instructions and must be read, followed and saved. Always consult local codes and/or local sub code official.

**WARNING - IMPORTANT SAFETY INSTRUCTIONS**

1. IMPORTANT SAFETY INSTRUCTIONS and INSTRUCTIONS IMPORTANTES RELATIVES A LA SECURITE.
2. READ AND FOLLOW ALL INSTRUCTIONS and LIRE ET SUIVRE TOUTES LES INSTRUCTIONS.
3. SAVE THESE INSTRUCTIONS and CONSERVER CES INSTRUCTIONS.
4. WARNING: RISK OF ACCIDENTAL INJURY OR DROWNING; CHILDREN SHOULD NOT USE HYDROMASSAGE BATHTUB WITHOUT ADULT SUPERVISION and AVERTISSEMENT. RISQUE DE BLESSURE ET DE NOYADE. NE PAS LAISSER UN ENFANT UTILISER LA CUVE A REMOUS EN L'ASBSENCE D'UN ADULTE.
5. WARNING: RISK OF ACCIDENTAL INJURY OR DROWNING; DO NOT USE HYDROMASSAGE BATHTUB UNLESS ALL SUCTION GUARDS ARE INSTALLED TO PREVENT BODY AND HAIR ENTRAPMENT and AVERTISSEMENT. RISQUE DE BLESSURE ET DE NOYADE. POUR EVITER LE HAPPEMENT DE MEMBRES OU DE CHEVEUX, NE PAS UTILISER LA CUVE A REMOUS SI LES PRISES D'ASPIRATION NE SONT PAS TOUTES MUNIES D'UNE GRILLE.
6. WARNING: TO AVOID INJURY, EXERCISE CARE WHEN ENTERING OR EXITING THE HYDROMASSAGE BATHTUB and AVERTISSEMENT. POUR EVITER LES BLESSURES, USER DE PRUDENCE EN ENTRANT DANS LA CUVE A REMOUS ET EN LA QUITTANT.
7. WARNING: RISK OF ACCIDENTAL INJURY OR DROWNING; DO NOT USE DRUGS OR ALCOHOL BEFORE OR DURING THE USE OF A HYDROMASSAGE BATHTUB EQUIPPED WITH HEATER TO AVOID UNCONSCIOUSNESS AND POSSIBLE DROWNING and AVERTISSEMENT. RISQUE DE BLESSURE ET DE NOYADE. NE PAS PRENDRE DE MEDICAMENT NI CONSOMMER D'ALCOOL LORSQU'ON UTILISE UNE CUVE A REMOUS CHAUFFEE OU AVANT D'Y ENTRER AFIN D'EVITER L'EVANOUISSEMENT ET LE RISQUE DE NOYADE.
8. WARNING: RISK OF FETAL INJURY; PREGNANT OR POSSIBLE PREGNANT WOMEN SHOULD CONSULT A PHYSICIAN BEFORE USING A HYDROMASSAGE BATHTUB EQUIPPED WITH HEATER and AVERTISSEMENT. DANGER POUR LE FETUS LES FEMMES ENCEINTES, QUE LEUR GROSSESSE SOIT CONFIRMEE OU NON, DEVRAIENT CONSULTER UN MEDECIN AVANT D'UTILISER UNE CUVE A REMOUS CHAUFFEE.
9. WARNING: RISK OF HYPERTHERMIA AND POSSIBLE DROWNING; DO NOT USE A HYDROMASSAGE BATHTUB EQUIPPED WITH HEATER IMMEDIATELY FOLLOWING STRENUOUS EXERCISE and AVERTISSEMENT. RISQUE D'HYPERTHERMIE ET DE NOYADE. NE PAS UTILISER UNE CUVE A REMOUS CHAUFFEE APRES UN EXERCICE INTENSE.
10. WARNING: RISK OF ELECTRIC SHOCK; DO NOT PERMIT ELECTRIC APPLIANCES (SUCH AS A HAIR DRYER, LAMP, TELEPHONE, RADIO OR TELEVISION) WITHIN 5 FEET OR 1.5 M OF THIS HYDROMASSAGE BATHTUB; AVERTISSEMENT. RISQUE DE CHOC ELECTRIQUE. NE PAS PLACER D'APPAREILS ELECTRIQUES (LUMINAIRE, TELEPHONE, RADIO, TELEVISEUR, ETC.). A MOINS DE 1,5 M DE CETTE CUVE A REMOUS.
11. CAUTION: TEST THE GROUND FAULT CIRCUIT INTERRUPTER PROTECTING THIS APPLIANCE PERIODICALLY IN ACCORDANCE WITH THE MANUFACTURER'S INSTRUCTIONS and ATTENTION. VERIFIER REGULIEREMENT LE FONCTIONNEMENT DU DISJONCTEUR DE FUITE A LA TERRE CONFROMEMENT AUX INSTRUCTIONS DU FABRICANT.

# IMPORTANT SAFETY INSTRUCTIONS CONTINUED

12. WARNING: RISK OF HYPERTHERMIA AND POSSIBLE DROWNING; WATER TEMPERATURE IN EXCESS OF 104° F or 38° C MAY BE INJURIOUS TO YOUR HEALTH. CHECK AND ADJUST WATER TEMPERATURE BEFORE USE and AVERTISSEMENT. RISQUE D'HYPERTHERMIE ET DE NOYADE. UNE TEMPERATURE D'EAU SUPERIEURE A 38° C PEUT PRESENTER UN RISQUE POUR LA SANTE. VERIFIER ET REGLER LA TEMPERATURE DE L'EAU AVANT D'UTILISER LA CUVE.
13. WARNING: RISK OF HYPERTHERMIA; PEOPLE USING MEDICATION AND/OR HAVING AN ADVERSE MEDICAL HISTORY SHOULD CONSULT A PHYSICIAN BEFORE USING A HYDROMASSAGE BATHTUB EQUIPPED WITH HEATER and AVERTISSEMENT. RISQUE D'HYPERTHERMIE. LES PERSONNES QUI PRENNENT DES MEDICAMENTS OU QUI ONT DES PROBLEMES DE SANTE DEVRAIENT CONSULTER UN MEDECIN AVANT D'UTILISER UNE CUVE A REMOUS CHAUFFEE.
14. IN CANADA: INSTALL THIS UNIT IN ACCORDANCE WITH THE CANADIAN ELECTRICAL CODE, PART I. and INSTALLER CONFORMEMENT AU CODE CANADIEN DE L'ELECTRICITE, PREMIERE PARTIE.
15. DO NOT DROP OR INSERT ANY FOREIGN OBJECT INTO ANY OPENING.
16. DO NOT DISCONNECT, ALTER OR TAMPER WITH ANY ELECTRICAL WIRING. SERVICE MUST BE PERFORMED BY A LICENSED ELECTRICIAN OR FACTORY AUTHORIZED PERSON. POWER MUST BE OFF AT THE SOURCE PRIOR TO ANY ELECTRICAL WORK.
17. EACH PUMP/MOTOR, BLOWER AND INLINE HEATER MUST BE CONNECTED TO A DEDICATED GFCI. THE CIRCUITS ARE PROVIDED BY THE LICENSED ELECTRICIAN AND SHOULD BE TESTED ON A ROUTINE BASIS. TO TEST THE GFCI, PUSH THE TEST BUTTON; THE GFCI SHOULD INTERRUPT POWER. PUSH THE RESET BUTTON; POWER SHOULD BE RESTORED. IF THE GFCI FAILS TO OPERATE IN THIS MANNER, THERE IS A GROUND CURRENT FLOWING INDICATING THE POSSIBILITY OF AN ELECTRICAL SHOCK. DO NOT USE THIS UNIT. DISCONNECT THE UNIT AND HAVE THE PROBLEM CORRECTED BY A QUALIFIED SERVICE REPRESENTATIVE BEFORE USING.
18. ALL UNITS NEED A NEMA PLUG TO BE PLUGGED INTO A WALL OUTLET THAT IS CONNECTED TO A BUILT-IN GFCI CIRCUIT BREAKER AND MUST BE CONNECTED TO A SEPARATE CIRCUIT WITH A 20 AMP BREAKER RUN DIRECTLY FROM BREAKER PANEL BOX.
19. TUB BOTTOM MUST REMAIN CLEAN TO MINIMIZE SLIPPAGE.
20. SOAKING TOO LONG MAKES SOME PEOPLE NAUSEOUS, DIZZY, LIGHTHEADED OR FAINT. DON'T SOAK FOR MORE THAN 15 MINUTES IN 104° FAHRENHEIT WATER. IF YOU WISH TO SOAK FOR A LONGER PERIOD OF TIME IN HIGH TEMPERATURES, LEAVE THE TUB FOR 15 MINUTES, SHOWER, COOL DOWN AND THEN RETURN FOR ANOTHER BRIEF STAY. IN LOWER TEMPERATURES (e.g., 98.6° - normal body temperature), MOST PEOPLE CAN COMFORTABLY AND SAFELY SOAK FOR LONGER PERIODS. IF YOU HAVE ANY QUESTIONS ABOUT WHAT'S RIGHT FOR YOU AND YOUR FAMILY, CONSULT YOUR DOCTOR).
21. ALL UNITS MUST BE WATER-TESTED FOR LEAKS BEFORE INSTALLATION.
22. ALL WALK-IN TUBS MUST BE INSTALLED WITH A THERMOSTATIC MIXING VALVE, WHICH SHOULD BE SUPPLIED AND INSTALLED BY YOUR PLUMBER.
23. MANSFIELD PLUMBING PRODUCTS, LLC, ACCEPTS NO RESPONSIBILITY FOR ANY INJURIES, BURNS, SCALDS OR SIMILAR OCCURRENCES.
24. USE THIS UNIT ONLY FOR ITS INTENDED PURPOSES OR AS DESCRIBED IN THIS MANUAL. ONLY USE ATTACHMENTS RECOMMENDED BY THE MANUFACTURER.
25. PLEASE NOTE THAT ALL LOCAL ELECTRICAL CODES SHALL BE FOLLOWED FIRST AND FOREMOST.

**SAVE THIS MANUAL: RETAIN FOR CONSUMER USE.**

## GENERAL INFORMATION

Read these instructions completely before installing the product.

You must follow all instructions in this manual. Failure to do so will result in your acceptance of any liability that may occur. Failure to comply with all instructions can result in product and personal injury.

## RESPONSIBILITY OF THE INSTALLER

The installer must inspect and water-test the product prior to installation to ensure the unit is free of defect or damage. In the event of a problem, the unit must not be installed. If the crate or product has been damaged, please call 877-850-3060 immediately.

This product is designed to be installed by a licensed trades person.

Licensed plumbers and electricians should be employed to ensure proper installation. Installers assume all liability for the correct installation procedures.

## IMPORTANT SAFETY INSTRUCTIONS:

WARNING! WHEN USING THIS PRODUCT, BASIC PRECAUTIONS SHOULD ALWAYS BE FOLLOWED. READ AND FOLLOW ALL INSTRUCTIONS PERTAINING TO RISK OF FIRE, ELECTRIC SHOCK OR INJURY TO PERSONS.

**DANGER:** TO REDUCE THE RISK OF INJURY, DO NOT PERMIT CHILDREN TO USE THIS PRODUCT UNLESS THEY ARE CLOSELY SUPERVISED AT ALL TIMES.

# UNPACKING THE WALK-IN TUB

NOTE: UPON DELIVERY THE CUSTOMER MUST NOTE ANY APPARENT OUTER CARTON DAMAGE ON THE DRIVER'S PAPERWORK.

BEFORE UNPACKING, THE INSTALLER SHOULD CAREFULLY INSPECT THE OUTER CARTON AND WOOD CRATE FRAME FOR DAMAGE.

THE INSTALLER SHOULD IMMEDIATELY NOTIFY THE DELIVERY COMPANY AND THE SUPPLYING DEALER IF ANY APPARENT OUTER CARTON DAMAGE IS FOUND.

OPEN OUTER PACKING BOX VIA THE TOP AND SIDES AND REMOVE THE BATH FROM ITS PACKAGING, CAREFULLY INSPECT BATH AND REPORT ANY ACTUAL DAMAGE IMMEDIATELY TO YOUR SUPPLYING DEALER AND THE DELIVERY COMPANY.

ONLY LIFT AND MOVE THE BATH AS PROPERLY DIRECTED.

DO NOT LIFT THE BATH OUT OF ITS SHIPPING PACKAGING BY ANY PLUMBING FIXTURES OR ELECTRICAL COMPONENTS.

DO NOT DRAG BATH; DO NOT TILT BATH OR PLACE ON AN ANGLE WITH ALL THE WEIGHT SUPPORTED BY ONLY TWO LEGS.

CAREFULLY PLACE THE BATH ON A LEVEL FLOOR SURFACE.

FAILURE TO COMPLY WITH ANY OF THE ABOVE MAY VOID THE BATH'S WARRANTY.

## **PRIOR TO INSTALLING THE WALK-IN BATH**

IMPORTANT NOTE: Installer must read and follow all instructions in this Installation Guide. Failure to do so may void the warranty.

IMPORTANT NOTE: It is the installer's responsibility to obtain all required governmental licences and permits. Any liability for the failure to do so will solely be borne by the installer.

IMPORTANT NOTE: Immediately after removing the walk-in bath from its crating and packaging, inspect all electrical and plumbing fittings and, except for the door fittings and door hinge, tighten (do not overtighten) all loose connections as appropriate. Do not alter the door fittings, tamper with the hinge or try to get a closer fit on the seal. **DO NOT OVERTIGHTEN ANY BOLTS.** The baths are completely water tested prior to leaving the factory and all the door tolerances and clearances are factory set. **TAMPERING WITH THE HINGE OR DOOR SEAL WILL VOID THE WARRANTY.**

# TESTING THE WALK-IN TUB

## **TEST YOUR WALK-IN TUB BEFORE INSTALLATION**

All Mansfield walk-in-tubs are 100% water-tested at the factory and certified to be free of leaks. Transportation and mishandling may cause leaks. It is necessary to test the bath while there is access to all sides of the bath.

This unit should be both static and operationally tested with water. It is best to test the unit outside by filling with a garden hose.

1. Place the tub on a completely flat surface in an area where it may be drained after testing.
2. Close the drain and fill the tub until it is up to normal water height level and at least 2" above the highest jet.
3. Allow the water to stand in tub for 30 minutes and then inspect all plumbing and seals for leaks.
4. If tub is jetted, supply electric to unit and run for 10 minutes and inspect for leaks. Inspect the unions around the pump. If a leak is detected hand tighten the unions and ensure that the O-ring is seated properly.
5. Ensure all jets are open and working.

NOTE: If the pump or blower does not activate, check the breaker to ensure power is on and the cable connecting the controls to the pump is attached.

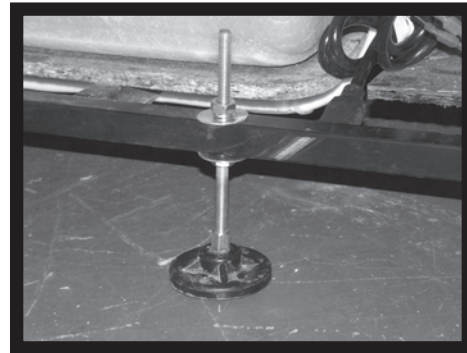
Do not run any pumps or heaters unless the tub is filled with water to proper level. Damage due to dry running pumps is not covered under warranty.

Failure to perform these tests before installation will make the installer liable for future repair costs.

# LEVELING THE WALK-IN TUB

## BEFORE Installing the Walk-in Bathtub

1. Check the floor area where the tub is to be installed.
  - (a) Clean area of any debris or trash.
  - (b) Use a 5' or 6' level and determine if the floor is level. If the floor is not level, adjust all levelling feet to perfectly level the tub. Note: it is important that all levelling feet are completely touching the floor and level. You may find you have to adjust the middle legs lower than the others to slightly raise up the middle of the bath for the door system to work properly.
2. Check to ensure that the drain rough has been placed at the proper location.
3. Ensure that the proper electrical service has been installed at the pump location. See electrical requirements below.



# ELECTRICAL REQUIREMENTS

## ELECTRICAL REQUIREMENTS

Equipment utilized on these baths requires individual dedicated electrical service.

Air Bath (8410 and 8510) – One dedicated 120 volt, 15 amp GFCI protected circuit.

Whirlpool (8010 and 8110) - Two separate dedicated 120 volt, 15 amp GFCI protected circuits.

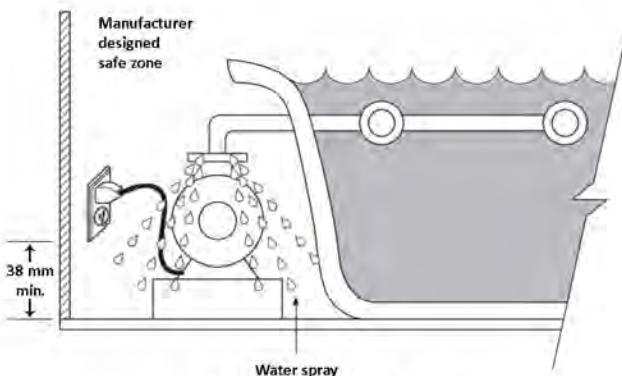
Combination (8610 and 8710) - Three separate dedicated 120 volt, 15 amp GFCI protected circuits.

Service must be a dedicated 15 amp, 120 volt service that is GFCI protected.

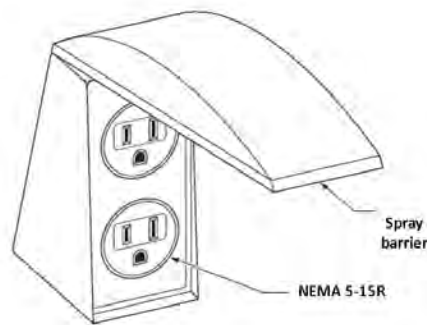
## ELECTRICAL INSTALLATION

All electrical connections must be carried out by a certified electrician in accordance with local electrical requirements and codes.

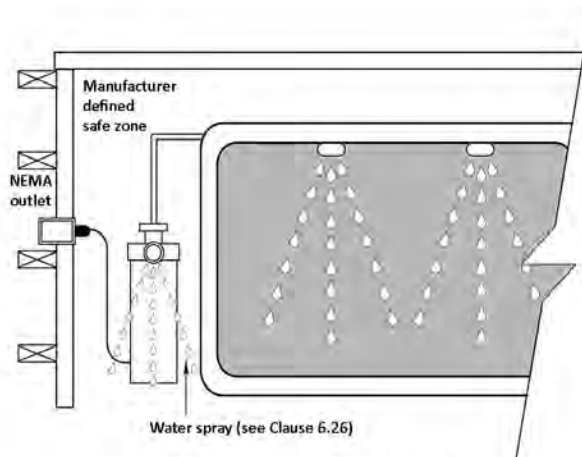
# REQUIRED ELECTRICAL RECEPTACLES FOR CANADA



Exclusion zone - Side view



Spray barrier

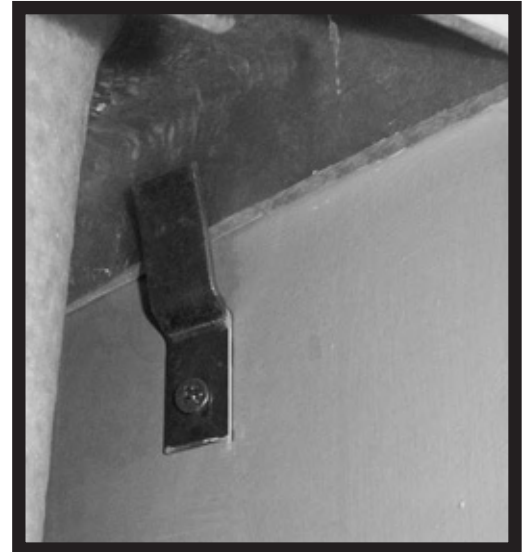


Exclusion zone - Top view

# INSTALLING THE WALK-IN BATH

With a measuring tape ensure the bath will fit through all passageways and doors.

1. Remove the existing bath or shower.
2. Check the area where the walk-in bath will be installed for floor integrity. Keep in mind that the walk-in bath is held up by six heavy duty support leveling legs and not the bath's frame.
3. With at least two people, lift the bath by placing hands underneath the deck and carry it to the place of installation. DO NOT lift the bath by the plumbing nor the electrical components.
4. Level the walk-in bath from the highest elevation point on the floor. Important note: If the floor is sloping or bowed in any way, work from the highest elevation point using side panels as a guide to the height. Make certain that the tub can be properly leveled. (Caution: if walk-in bathtub is not resting on all leveling feet, water will not drain properly and may cause the door to leak). Verify the product is completely level by checking tub deck surface and ensure all leveling feet are touching the ground.
5. If the product is a whirlpool or an air bath carry out any electrical work that may be required. Make the electrical connections per current regulations, per aforementioned electrical requirements and with a qualified electrician. Electrical diagrams begin on page 9.
6. It is important to ensure that there is no movement in the floor of the intended position as this could cause the door to leak. Therefore, wall brackets are supplied and should be installed as follows:
  - a). Mark the wall to accept the metal wall brackets by placing the bracket against the wall, approximately two (2) inches from each corner of the tub top edge.
  - b). Drill the wall and fit the metal brackets (supplied) to the wall.
  - c). Check walls for square and note any discrepancies. These must be overcome by acceptable methods of filling. The tub will drop approximately 1/4" when filled with water, and allowance should be made for this.
7. With the tub in position, draw a vertical line directly under the corners of the tub where it is touching the walls. These lines will be used for working out the position of the wooden cleats to support the tub panels when they are placed into position.
8. After leveling and BEFORE attaching the plumbing to the walk-in bath, ALL panels must be temporarily installed to ensure adequate clearance from the floor. Once this has been verified, remove the panels and store in a safe location where they can lay flat until required for installation.
9. Determine the desired faucet location. In most cases the faucet is installed on the deck adjacent to the waste and overflow.
10. Measure and verify the span of the faucet assembly's supply lines. Mark position of the holes for the faucets and ensure that your pipe work will not be obstructed by the walk-in bath's steel frame. Double check all measurements.



## INSTALLATION CONTINUED

***Important note: Under no circumstances should you use a cutter that may damage the walk-in bath outside of the cutting area. Doing so will void the warranty.***

11. Drill holes for faucets using correct size hole saw being very careful not to damage the outside perimeter of the cutting area.
12. Install the faucets per the faucet manufacturer's instructions. Important note: Under no circumstances should any oil based sealants or jointing compounds be used on any part of the walk-in bath. Doing so will void the warranty.
13. Install the waste and overflow per the waste and overflow instructions.
14. If any additional fixtures i.e. grab rails, shower attachments, etc., are required, install now per manufacturer's instructions.
15. Seal edges of bath to wall with a suitable silicone sealant (if this will impede the connection of the pipe work, wait until the pipe work has been completed to seal the bath to the wall).
16. Check the bath again to make sure it is level.
17. Make necessary connections for the water supply. Make sure your plumber installs a thermostatic mixing valve (TMV) Not Supplied. Connect the hot and cold water supplies to the thermostatic mixing valve. Next connect the mixed hot water outlet from the hot water thermostat to the hot side of the faucet. Connect the cold outlet to the cold side of the faucet. Adjust the thermostat to provide the required temperature desired or to comply with any regulations.
18. Make necessary connections for the waste.
19. Water test and check the piping for leaks.
20. Ensure that the door seal is clean and free from dust.

***Important note: Do not alter the door fittings, tamper with the hinge or try to get a closer fit on the seal. The baths are completely water-tested prior to leaving the factory and all the tolerances and clearances are factory-set. Tampering with the hinge or door seal will void the warranty.***

21. Close the door and fill the walk-in bath to the maximum level and let the filled bath stand for 20 minutes.
22. Check all joints, seals, piping and connections to ensure no leaks.
23. Drain the walk-in bath.
24. Apply a thin bead of silicone sealant between the walk-in bath and the wall and ensure that any excess sealant is removed.

***Important note: Do not use any solvent-based adhesives as these will damage the walk-in bath and will void the warranty.***

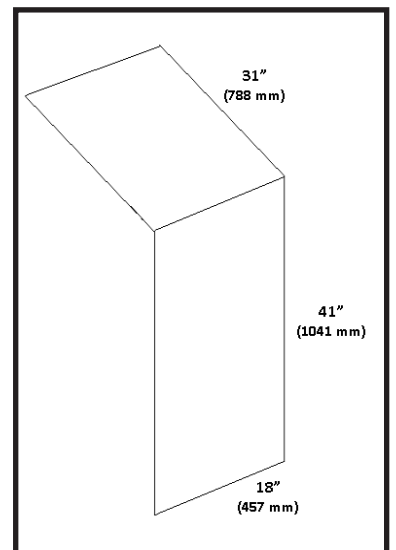
# PANEL INSTALLATION

1. Determine how the panels need to be trimmed prior to installing on the tub as follows:
  - a. Place the front panel in position. The frame of the tub may stop the panel from going into its location.
  - b. With a pencil, mark any points where the frame comes into contact with the panel.
  - c. Measure how far each point of the panel has to go into the frame and mark on the panel.
2. Use a hacksaw or jigsaw to cut notches out of the panels at marked locations as needed to fit the panels. **\*\*BE EXTRA CAREFUL WHEN CUTTING OUT THE NOTCHES. CUT AWAY SMALL SECTIONS AT A TIME UNTIL THE PANELS FIT PROPERLY.\*\***
3. If the panel retaining clips project out too far, cut the ends back with tin snips. File away any rough edges and reinstall the panels. If needed, repeat this procedure with the end panel. The panel fittings will not void the warranty.
4. Attach the tub panels. Seal the panels to the tub and apply a finishing seal around the top of the tub with suitable caulking or silicone sealant.
5. ETL, CSA, IAPMO and UL require a tile flange to be installed in accordance with local building codes. The tile flange kit is sold as an option.



# EXTENSION BOX INSTALLATION

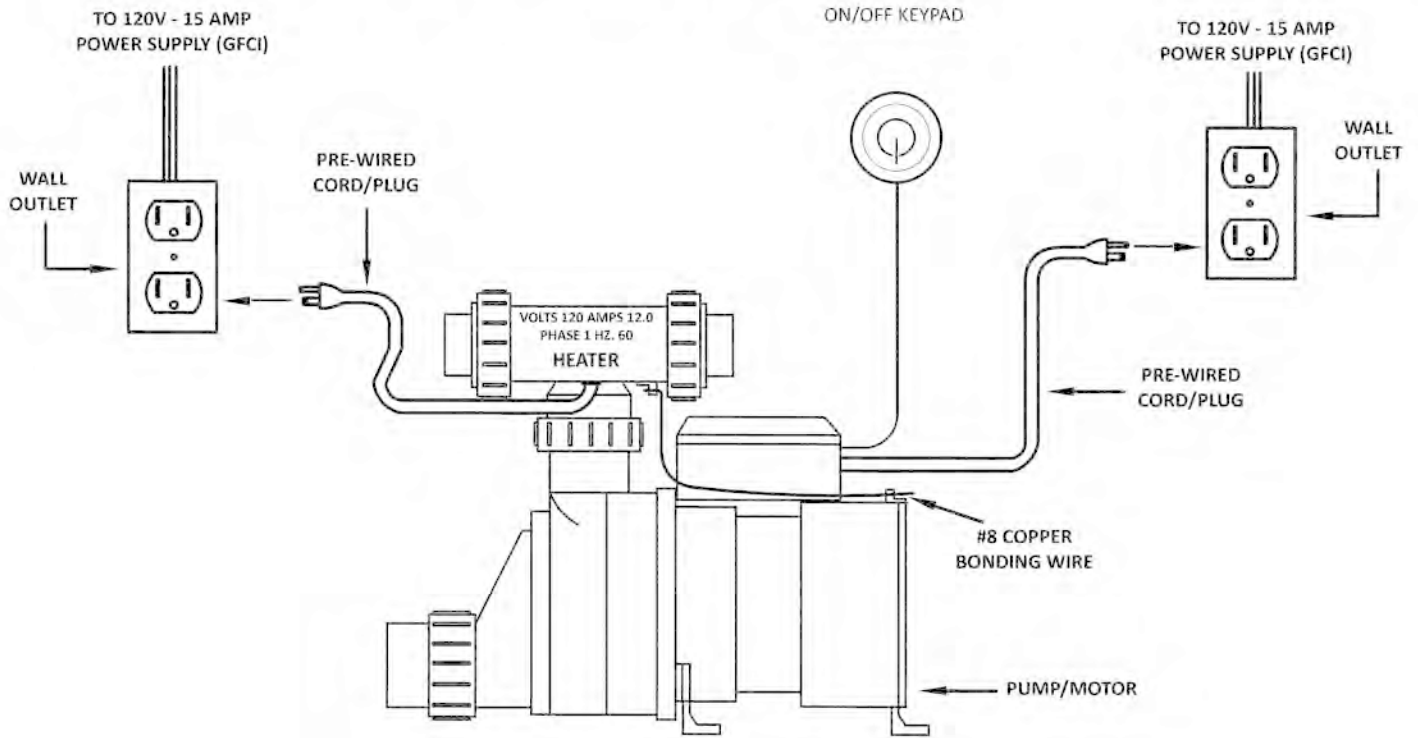
1. Place the extension box over the opening, mark and cut to size as needed. Note: An oversized box wedged into place will have the effect of distorting the tub and thereby increasing the chance of a leak.
2. The extension box is cosmetic and is designed to cover a frame and give the appearance of an extension of the tub. Fit cleats to the wall and floor to create a frame to support the extension box. It is important to also fit a piece of wood where the extension box bends. Note: the cosmetic box must be fitted to within 2" of the top of the tub to ensure it cannot be mistaken for a seat or where downwards pressure could be applied to it.
3. Drill and secure the panels in place with screws and caps and, if needed, finish off edges with silicone sealant.



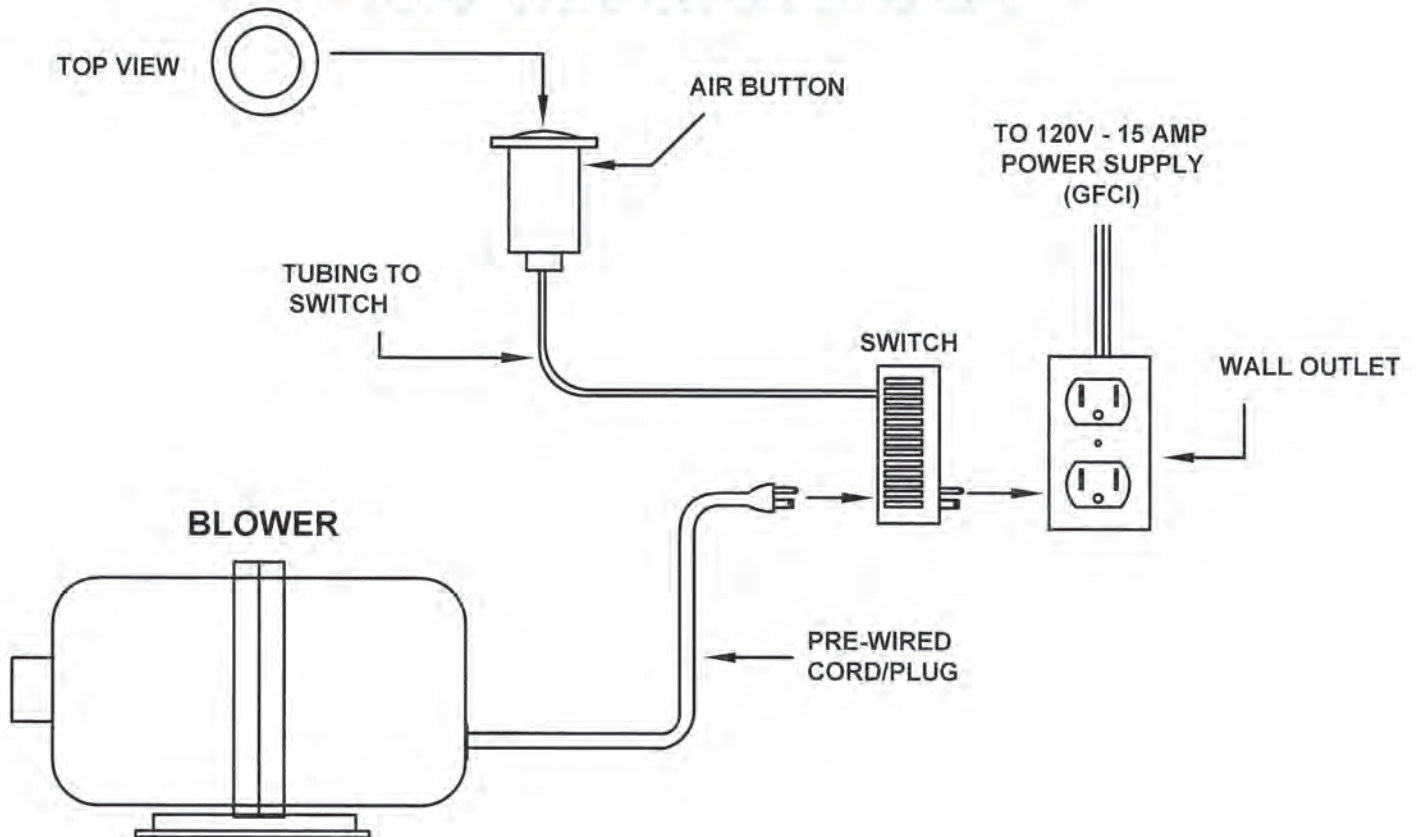


# ELECTRICAL WIRING DIAGRAMS

## WHIRLPOOL BATHTUBS ELECTRICAL WIRING DIAGRAM

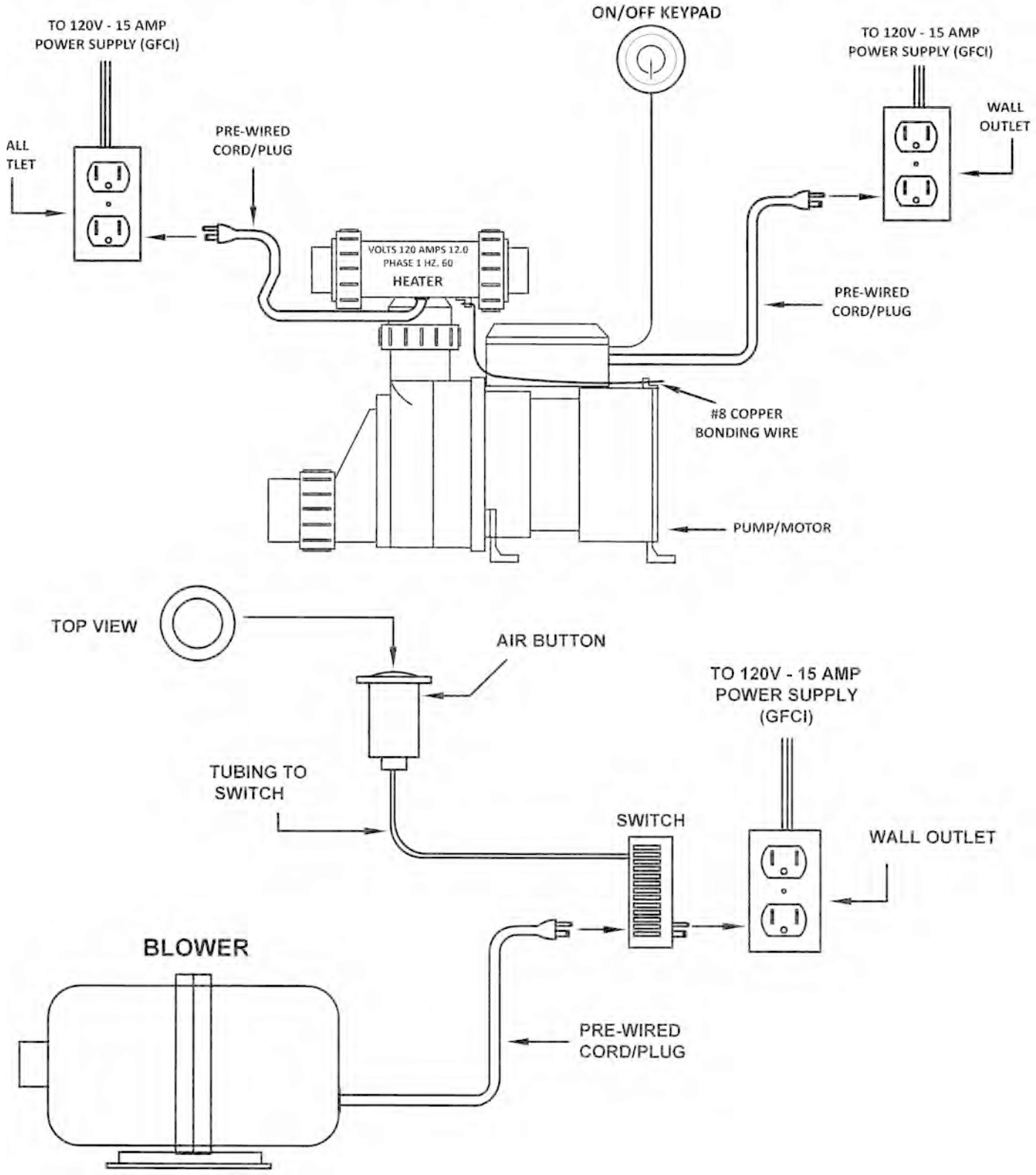


## AIR BATHS ELECTRICAL WIRING DIAGRAM



# ELECTRICAL WIRING DIAGRAMS Continued

## COMBINATION WHIRLPOOL BATHTUB AND AIR BATH ELECTRICAL WIRING DIAGRAM

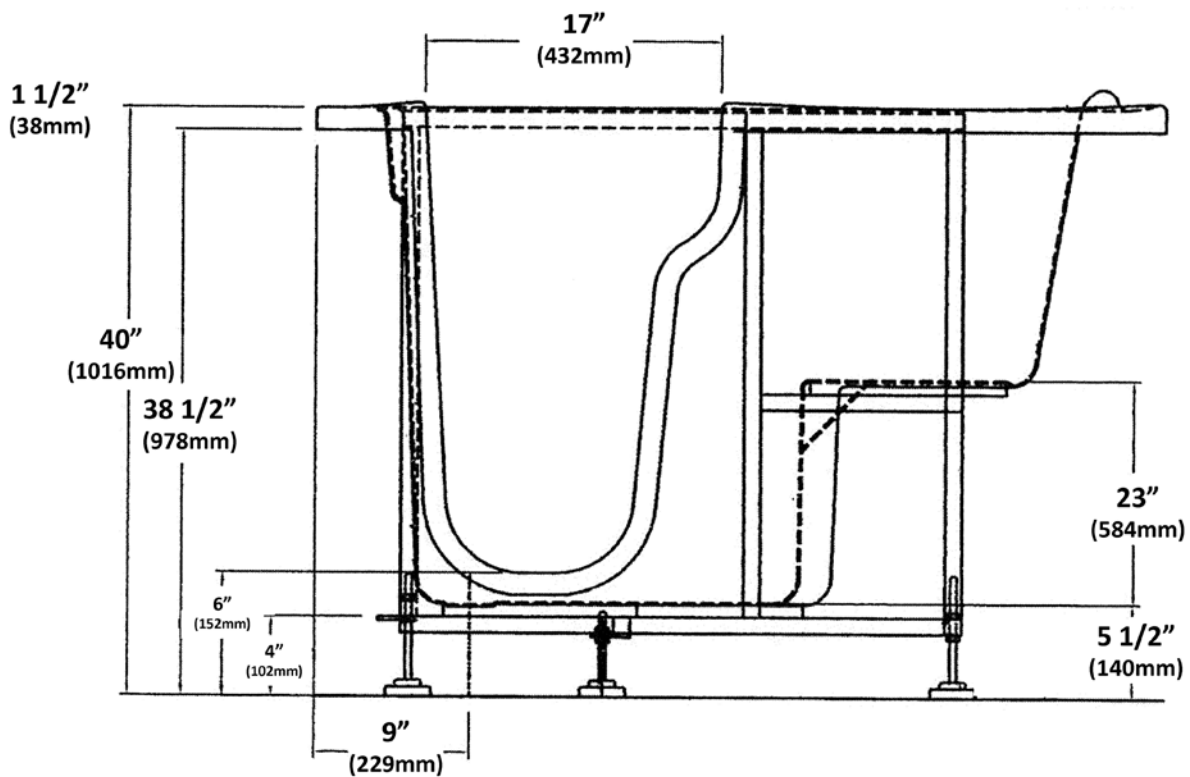
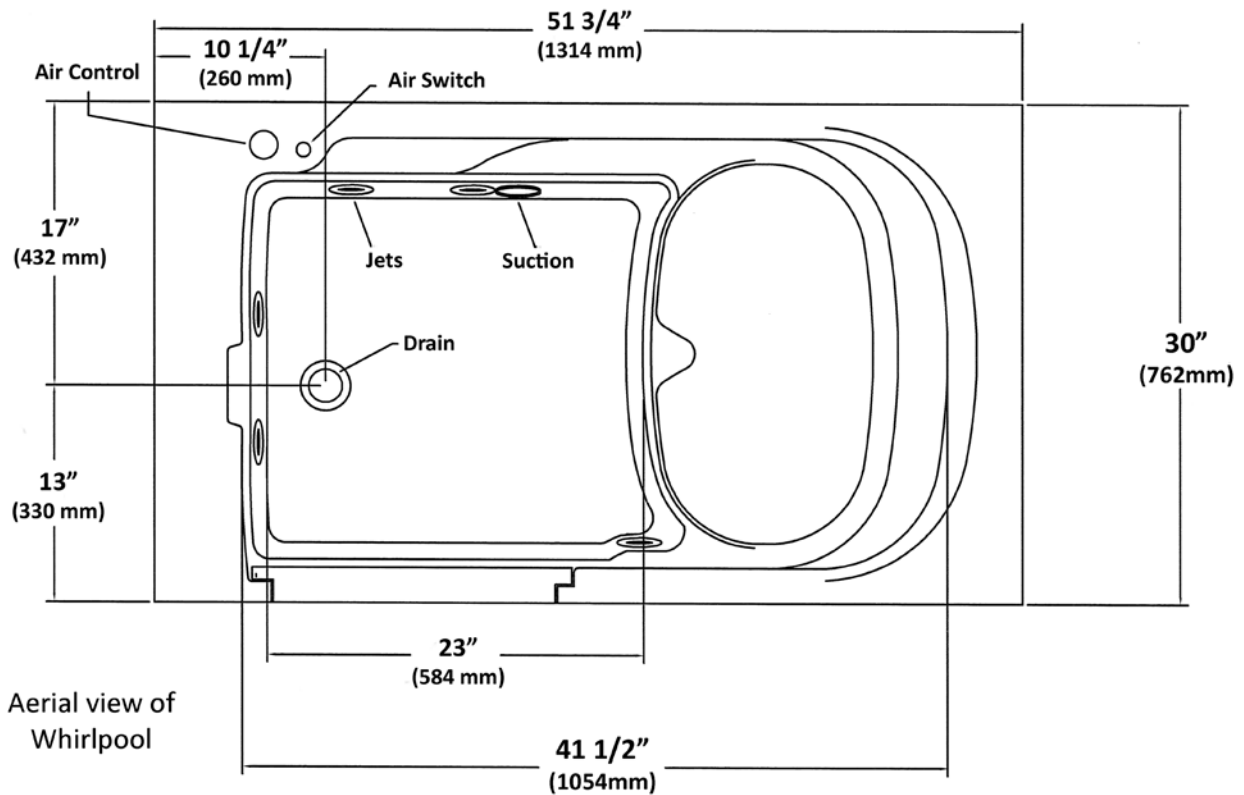


# WALK-IN BATH LEFT HAND SPECIFICATION

## RESTORE™

### Walk-in Bath

### Left Hand Drain

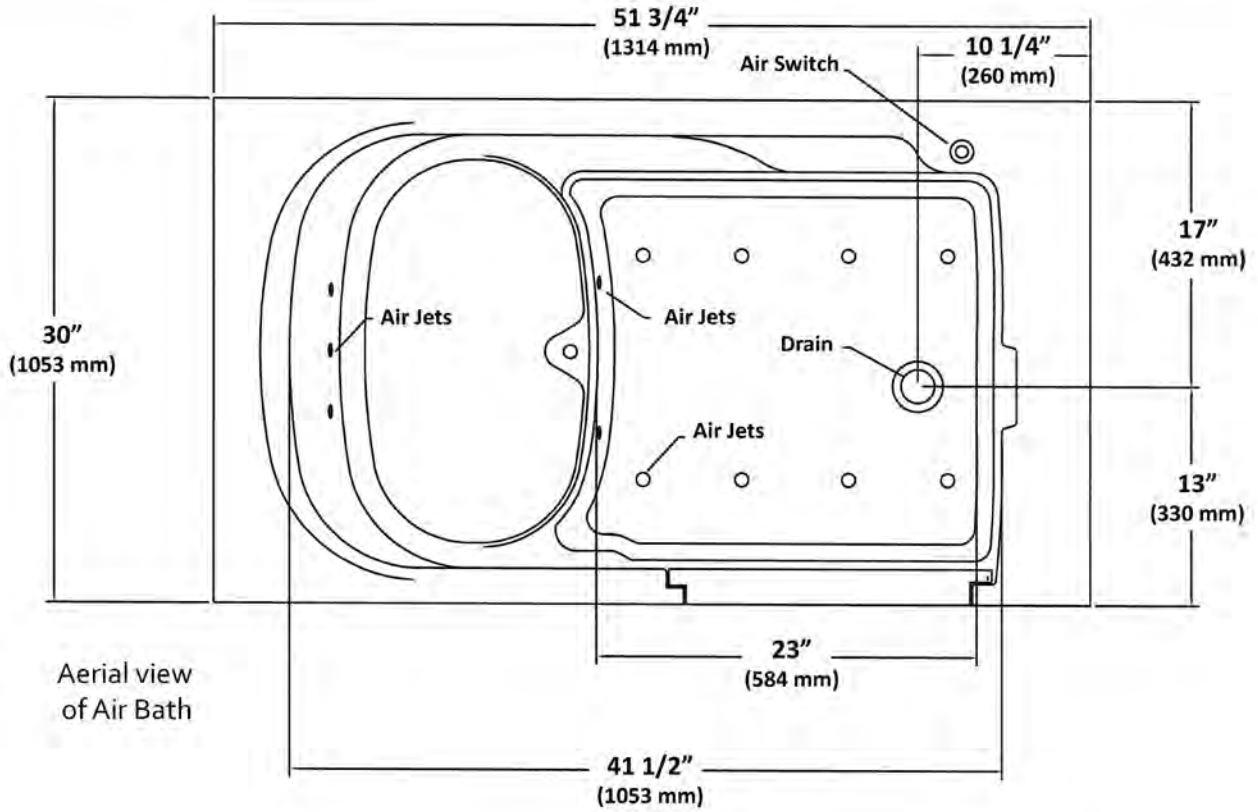


# WALK-IN BATH RIGHT HAND SPECIFICATION

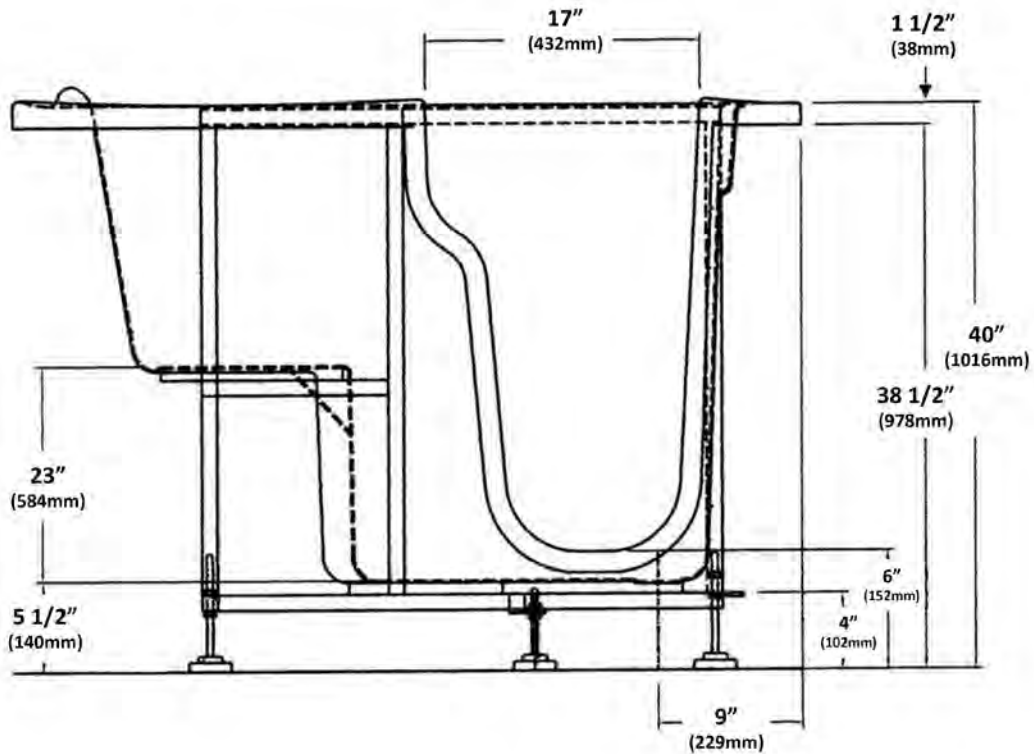
RESTORE™

Walk-in Bath

Right Hand Drain



Aerial view of Air Bath



# USE AND CARE GUIDE

**CHECK THE WATER WHEN YOU BEGIN FILLING TO ENSURE IT IS AT A SAFE TEMPERATURE.**

## Congratulations

Congratulations on the purchase of your new walk-in tub. Your tub has been constructed to the highest standards using the most modern manufacturing techniques available. Before leaving the factory, every tub is rigorously tested. The tub and door are completely water-tested for leaks. When the tub leaves the factory it is in perfect working order ready for installation. Rest assured, we have supplied you with a magnificent product built to provide you with an enjoyable bathing experience for years ahead.

By carefully following your new walk-in tub's instructions, you can benefit from the safety, dignity, independence and a tremendously improved quality of life.

Please read the following instructions before using your walk-in bath and retain for future reference.

### **A cautionary word about the door handle:**

Even though the handle is fabricated from the strongest materials available it will not withstand a person putting their whole weight against it while either trying to pull up out of the bath or using excessive force closing the door. If used in either of these ways the bottom of the handle will ultimately break away from its fixing. The handle is designed as a closing mechanism and nothing more. User misuse of the handle will not be covered by the warranty.

## Using your Walk-in Tub

### **RESTORE Soaking Tub – Model 8210 or 8310**

Enter the bath and sit if desired. Next, close the door and seal it by pushing the handle forward into the locked position.

Close the drain by turning the handle at the overflow counter clockwise.

With the pre-set thermostatic mixing valve (professionally installed by your plumber) it is only necessary to turn on the hot water. However, if a cooler bath is desired, turn on the cold water to mix with the hot water.

Fill the bath to a depth to best suit your needs.

When the bather is done, drain the bath by turning the handle clockwise.

After the bath is drained, open the door by pulling backward on the door handle and carefully exit the tub.

### **RESTORE Air Bath – Model 8410 or 8510**

See Soaking Tub section for instructions on entering, filling and exiting the bath.

### **IMPORTANT**

It is recommended that bathers should limit their use of the air bath to not more than 20 minutes in any one bathing session.

### **OPERATION**

The operation of the air bath is controlled by the raised air button mounted on the top edge of the bath. The raised air button control allows you to activate the blower with any part of the hand or arm which is helpful for people with weak or arthritic fingers.

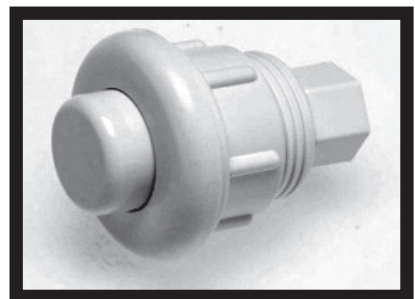
### **To operate:**

1. Press once to switch on at - medium turbulence
2. Press again to switch to - high turbulence
3. Press again to switch to - low turbulence
4. Press again to switch OFF

### **AUTOMATIC FUNCTIONS**

#### **Switch off**

After first switching on, the system will run for approximately 20 minutes and then automatically turn off. Should the 20-minute running cycle be interrupted by switching off and then on again, a new 20-minute cycle will be activated, possibly resulting in an extended running time.



# USE AND CARE GUIDE CONTINUED

## Air bath hygiene management

The air bath system operates best with the following system hygiene routine. After use, turn the air bath on for about 20 seconds, and then switch it off. This 'manual purge' will help remove any water which may be retained in the jet head, and assists in keeping the jets clean. When cleaning the bath, or using the bath for showering only, it is recommended to manually purge any residual water from the jet heads. To do so, switch on for 15 – 20 seconds and then switch off.

## Troubleshooting

Should the blower unit switch off prematurely, and /or not be able to be reactivated by the push button, check the electricity supply, circuit breaker or fuses. If no fault with electricity can be found, contact the supplier.

## CLEANING THE AIR JETS IN YOUR AIR BATH

The air jets installed in your air bath have jet heads which push into the jet body (which is secured into the bath structure). Inside the jet body is a highly efficient non-return valve which prevents the back-flow of water into the system.

Should it become necessary to remove a jet head (e.g. in event of non-operation) it should be gently levered out from the jet body (taking care not to damage the bath surface).

**DO NOT** attempt to remove the non-return valve which is installed into the jet body. If this should require attention, consult your supplier.

**NOTE:** The use of heavy liquid or paste cleaners applied directly to the bath surface may enter the non-return valve in the jet assembly, causing it to stick in the closed position. The use of a mild liquid detergent or soap with plenty of water is recommended for cleaning the bath.

## RESTORE Whirlpool – Model 8010 or 8110

See Soaking Tub section for instructions on entering, filling and exiting the bath.

### IMPORTANT

It is recommended that bathers should limit their use of the whirlpool to not more than 20 minutes in any one bathing session.

### OPERATION

The operation of the whirlpool is controlled by a single button electronic control.

**To operate:** Press the button once to turn the pump on. A second press of the button will turn the pump off.

### AUTOMATIC FUNCTIONS

#### Switch off

After first switching on, the system will run for approximately 20 minutes and then automatically turn off. Should the 20-minute running cycle be interrupted by switching off and then on again, a new 20-minute cycle will be activated, possibly resulting in an extended running time.

### Whirlpool Hygiene Management

The whirlpool bath system requires routine cleaning to sanitize the system. Twice per month or more, depending on usage, clean the whirlpool by following the directions below:

- Turn the air control knob to the minimum setting and fill the whirlpool with hot water.
- Add two (2) tablespoons of low sudsing automatic dishwasher detergent and ½ cup of household bleach to the water.
- Run whirlpool for at least 15 minutes.
- Drain, refill with cold water, operate for 10 minutes, drain and wipe with a soft cloth.



## RESTORE Combination Whirlpool / Air Bath– Model 8610 or 8710

See Soaking Tub section for instructions on entering, filling and exiting the bath.

### OPERATION

Follow instructions above for Whirlpool and Air bath use. Systems can operate independently or simultaneously.

# FREQUENTLY ASKED QUESTIONS

**Q. Can a walk-in tub also be used as a shower?**

A. Yes, when installed with the proper water-tight enclosure, the walk-in bath can be used as a shower. A hand held shower can be mounted to the tub deck or the wall.

**Q. Do I need a larger water heater to fill my walk-in bath?**

A. A standard walk-in tub holds 45-55 gallons of water with the bather in the tub. Therefore, a 40 gallon water heater should be sufficient.

**Q. The door seal is not completely compressed. Should I try to adjust the door to make it tighter?**

A. No, do not adjust, move, undo or tamper with the door hinge as this can invalidate the warranty.

**Q. How often should I clean my bath?**

A. To maintain the longevity of the high gloss finish we recommend a wipe over after every use with any non-abrasive cleaning liquid. It is also very important that you wipe around the door seal to remove any dirt or debris after every use. Damage to the door seal can invalidate the warranty. Also, see User's Guide for air bath and whirlpool cleaning instructions.

**Q. Can I use bubble bath, oils and salts in my air bath or whirlpool?**

A. Bubble bath can be used in moderation in your air bath. It is very powerful and bubbles will form rapidly. Only light, translucent oils such as baby oil should be used. Salts cannot be used. Salt is an abrasive material and abrasive materials can damage the high gloss of the gel coat. You cannot use any of these in a whirlpool system without causing possible damage to the pump.

**Q. If something sharp is dropped into the bath and it chips the surface, can it be repaired?**

A. Yes. Any GRP repair kit from a yacht chandler will repair the chip.

**Q. I like long baths. Can the spa be used for long periods of time?**

A. Yes. However, as a safety precaution, the blower turns off after twenty minutes. To restart, turn the blower off and leave it off for 15 minutes and the thermal cut-off will reset. The blower can then be restarted. Furthermore, it is recommended that bathers should limit their use of the air bath to not more than 20 minutes in any one bathing session.

**Q. Can I use the door to lean on for support while entering or exiting the bath?**

A. No. The door is fitted using a stainless steel hinge which is very strong and will keep the door in its position. It is not designed to take the weight of a person. To lean on the door could result in door movement or misalignment and could cause a leak. This can also invalidate the warranty.

**Q. Is periodic maintenance needed to the door or hinge?**

A. No. Do not alter the door fittings, tamper with the hinge or try to get a closer fit on the seal. The baths are completely water-tested prior to leaving the factory and all the tolerances and clearances are factory-set.

## CODE COMPLIANCE



Accepted by the "Swimming Pool Research Committee" of the International Association of Plumbing and Mechanical Officials as meeting the requirements of the Uniform Swimming Pool Code.



ETL Listed (Complies with U.L. Standard 1795). Hydromassage Bathtub Listed 3129295



Accepted by the "Plumbing Research Committee" of the International Association of Plumbing and Mechanical Officials as meeting the requirements of the Uniform Plumbing Code.

# WARRANTY

## Mansfield Plumbing Products Bathware Restore™ Walk-in Baths

## Residential Warranty

Mansfield Plumbing Products, LLC offers the following expressed warranty to the original purchaser of any Restore Whirlpool Air bath or Bathtub who purchases the product for personal or single family residential use ("user"). We will repair or replace, at our sole option, the product or its equipment in accordance with the following terms and conditions.

### TEN (10) YEAR WARRANTY FOR SHELL

Mansfield Plumbing Products, LLC extends to the user of the product a non-transferable Ten (10) year warranty from the date the product was originally purchased by the user that the shell will maintain its structural integrity and be free of water loss due to a defect in the tub shell. This warranty covers only the product shell against defects in material or workmanship.

### FIVE (5) YEAR LABOR WARRANTY FOR ALL FACTORY INSTALLED COMPONENTS

Our limited labor warranty is for a period of Five (5) Years from the date the product was originally purchased by the user, but not more than Six (6) years from the date of manufacture. All factory installed components (e.g., pump, motor, jets and plumbing) are covered under our labor warranty against failure due to defects in materials and workmanship.

### WARRANTY LIMITATIONS

In no event shall Mansfield Plumbing Products, LLC be liable for incidental or consequential damages, for damages resulting from improper installation or for damages caused by handling, neglect, abuse or alteration. Our warranty does not cover defects or damage caused by the common carrier, installer, user or other persons resulting from, without limitation: careless handling, improper voltage supply/electrical modifications, misuse; incorrect operation; lack of or improper routine maintenance; incorrect or inadequate water use or use of improper cleaners. Chips, cracks and scratches are damages and are not covered under warranty; however, they may be repaired by a qualified technician at the user's expense. Damages or defects that should have been detected before installation are not covered. All implied warranties, including any warranty of fitness for any particular purpose of merchantability, or those that might arise from a course of dealing with the purchaser or usages of trade, are hereby disclaimed or excluded.

Mansfield Plumbing Products, LLC is not responsible or liable for any delays or any failure to perform due to unforeseen circumstances or causes beyond Mansfield Plumbing Products, LLC control, when such delays or failure is due, directly or indirectly, to acts of God, war (including civil war), riots, embargoes, acts (whether sovereign or contractual) of civil or military authorities, acts of any government, major change in economic conditions, fires, floods, explosions, the elements, epidemics quarantine restrictions, strikes, lockouts, plant shutdowns, slowdowns, accidents, shortages of raw energy, materials, component parts, labor, or delays of suppliers or subcontractors.

Note: Some states do not allow limitations on an implied warranty, and some states do not allow exclusions or limitations regarding incidental or consequential damages, so the above limitations may not apply to you. This warranty gives you specific legal rights and you may have other rights which vary from state to state. No person is authorized to change, add to, or create any warranty or obligation other than set forth herein. This is our exclusive warranty.

### RESPONSIBILITIES OF OTHERS

Inspecting the unit prior to installation is the responsibility of the installer or building contractor who acts on behalf of the user. They are responsible for ensuring the unit is free of defect or damage. Notices are placed on and in the unit and on the shipping carton advising the installer of this responsibility. In the event of a problem, the unit must not be installed. The Company is not responsible for failures or damage that could have been discovered, repaired, or avoided by proper inspection and testing (including proper water testing) prior to installation.

Damage occurring in transit is the responsibility of the carrier. The user or installer MUST open the crate and inspect the unit for damage when it is delivered. If damage is discovered, it must be reported immediately to the seller and the carrier in writing, and an inspection requested. Failure of the carrier to respond should be reported to the seller and the carrier. Your freight claims should be filed promptly thereafter.

It is the responsibility of the installer, building contractor, or user to provide access for service. Mansfield Plumbing Products, LLC is not responsible for any costs relating to obtaining access for repair.

### WARRANTY SERVICE

Mansfield Plumbing Products, LLC maintains a list of independent service personnel to perform required warranty service repairs. Such firms are not agents or representatives of Mansfield Plumbing Products, LLC and cannot bind us by words or conduct. We will provide warranty service when Mansfield Plumbing Products, LLC has been notified of the problem during the active warranty period and deemed the problem to be of the nature or type covered by the warranty.

The product serial number, users address and contact information must be provided to obtain warranty service.



**PRODUCT SERIAL NUMBER**

---

**CUSTOMER SERVICE**

Phone: 877.850.3060

Fax: 419.938.6234

[www.mansfieldplumbing.com](http://www.mansfieldplumbing.com)