

GENERAL

Highest quality sink fabricated of #18 (1.2mm) gauge, type 304 (18-8) nickel bearing stainless steel. Top mount or undermount.

DESIGN FEATURES

Bowl Depth: 9" (228mm).

Coved Corners: Approximately 5/8" (15mm).

Rim Height: 3/64" (1mm).

Slim Rim: Ultra-thin edge virtually eliminates the barrier between the sink and countertop.

Finish: Exposed surfaces have a Polished Satin finish.

Underside: Fully protected by heavy duty Sound Guard® undercoating to reduce condensation and dampen sound.

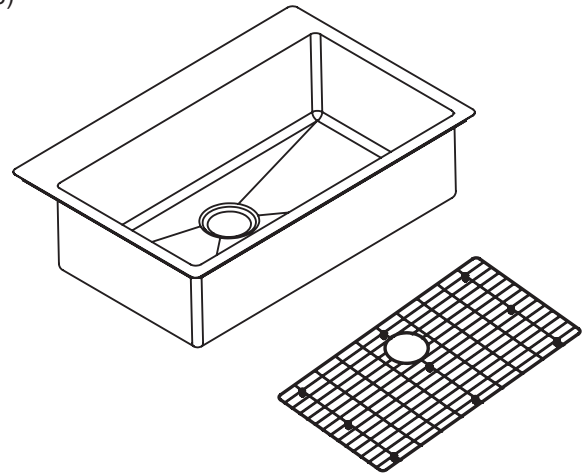
OTHER

Drain Opening: 3-1/2" (89mm).

Sink complies with ASME A112.19.3/ CSA B45.4



Sinks are listed by IAPMO® as meeting the applicable requirements of the Uniform Plumbing Code®, International Plumbing Code®, and National Plumbing Code of Canada.



Included Accessories:

Bottom Grid: CTOBG2915SS

OPTIONAL ACCESSORIES

Mounting Hardware: LK364

Undermount Hardware: LKUMSK36, LKUCLIP8

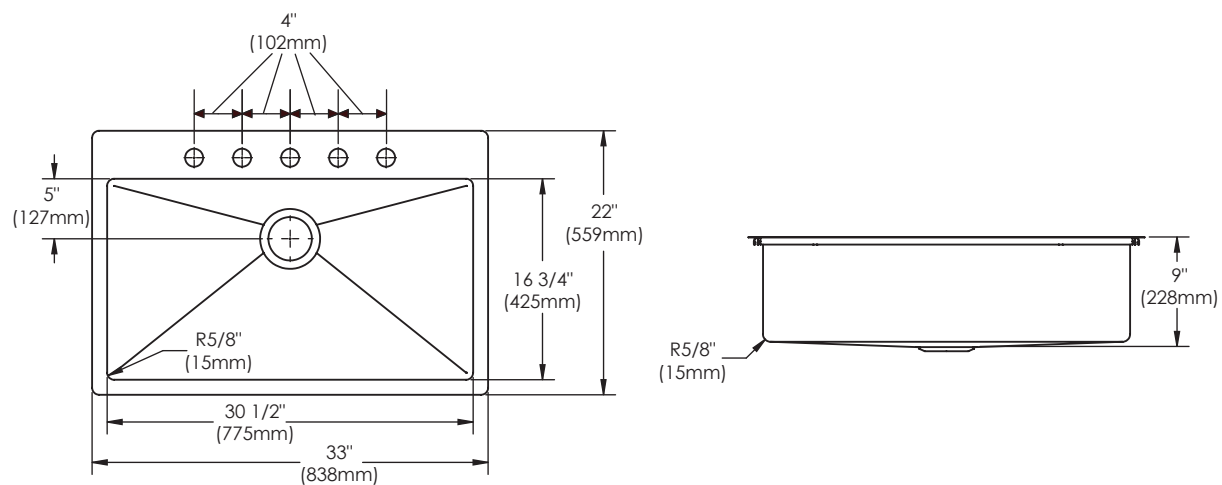
Drain: LK99

SINK DIMENSIONS*

| Model Number | Overall | | Inside Bowl | | | Cutout in Countertop ¼ (6mm) Radius Corners Top Mount Installation Only | No. of 1-1/2" (38mm) Dia. Faucet Holes 4" (102mm) Center | Minimum Cabinet Size |
|---------------|---------------|---------------|-----------------|-----------------|--------------|---|--|-------------------------|
| | L | W | L | W | D | | | |
| ECTSRS33229BG | 33 (838mm) | 22 (559mm) | 30 ½ (775mm) | 16 ¾ (425mm) | 9 (228mm) | 32 ⅝ x 21 ⅝ (822mm x 543mm) | 1, 2, 3, 4, 5 ML2, MR2 or FR2 | 36 (914mm) |

* Length is left to right. Width is front to back.

** For undermount installation, template 0000001180 is packed with every sink.

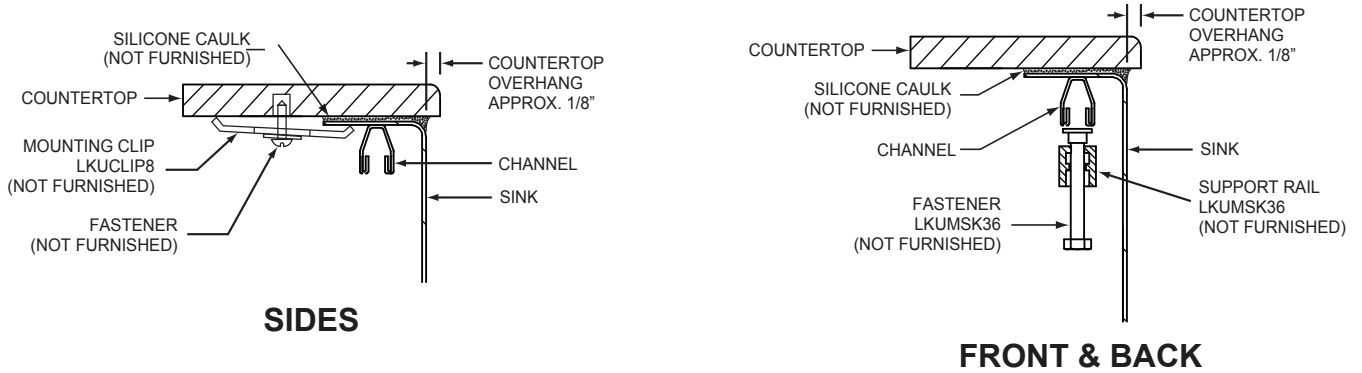


Model ECTSRS33229BG5 Illustrated

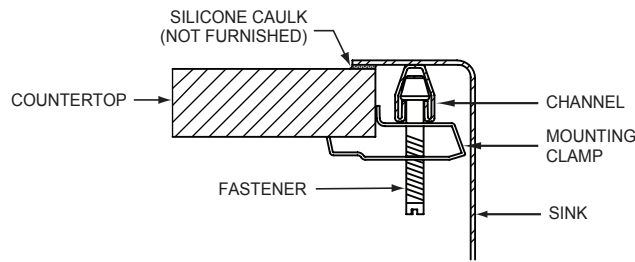
In keeping with our policy of continuing product improvement, Elkay reserves the right to change product specifications without notice. Please visit elkay.com for most current version of Elkay product specification sheets.

This specification describes an Elkay product with design, quality and functional benefits to the user. When making a comparison of other producers' offerings, be certain these features are not overlooked.

UNDERMOUNT INSTALLATION

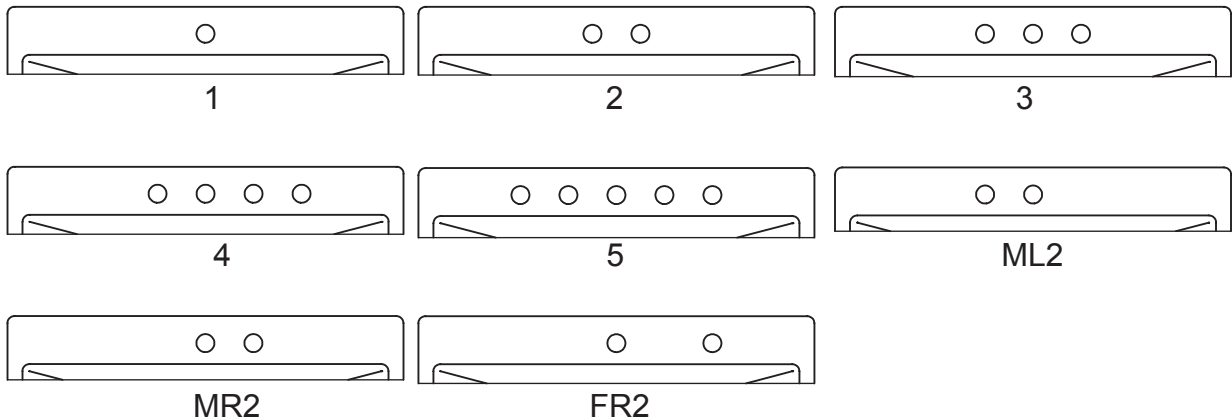


TOP MOUNT INSTALLATION



HOLE DRILLING CONFIGURATIONS

1-1/2" (38mm) Diameter Faucet Holes on 4" (102mm) Centers



In keeping with our policy of continuing product improvement, Elkay reserves the right to change product specifications without notice. Please visit elkay.com for most current version of Elkay product specification sheets.

This specification describes an Elkay product with design, quality and functional benefits to the user. When making a comparison of other producers' offerings, be certain these features are not overlooked.