

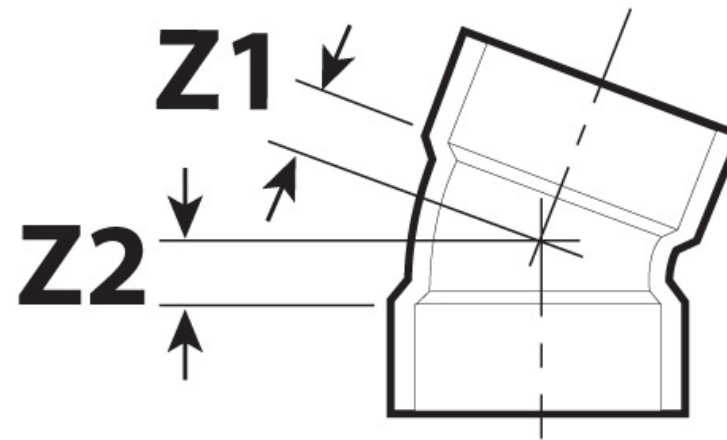


Submittal Sheet

Part Description:  
 3" ABS DWV 1/16 or 22-1/2 Degree Bend or  
 Elbow H X H

Part Number:  
 102553

Approvals and Listings maintained by:  
 Canplas Industries Ltd  
 Canada: 1-800-461-5300 USA: 1-888-461-5307



ASTM



| Part # | Part UPC     | Colour | Size (inches) | Ctn Qty | Ctn Bar Code   | Ctn. Wt (Kgs) | Ctn. Wt (lbs) | Skid Cubic (m) | Skid Cubic (ft) | Ctns/Skid |
|--------|--------------|--------|---------------|---------|----------------|---------------|---------------|----------------|-----------------|-----------|
| 102553 | 662671101273 | BLACK  | 3X3           | 20      | 10662671101270 | 4.69          | 10.32         | 1.79           | 63.37           | 48        |

Dimensions (inches)

|      |      |
|------|------|
| Z1   | Z2   |
| 0.81 | 0.81 |