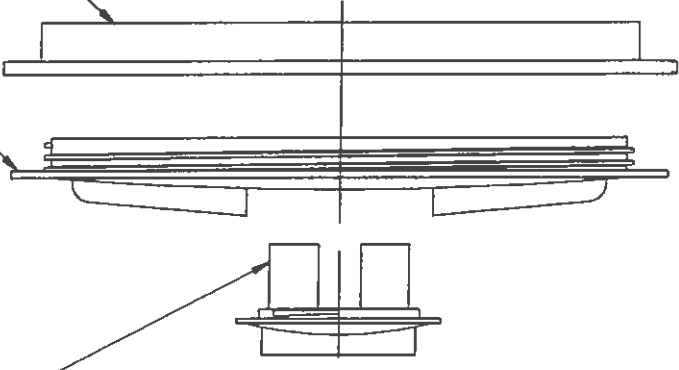
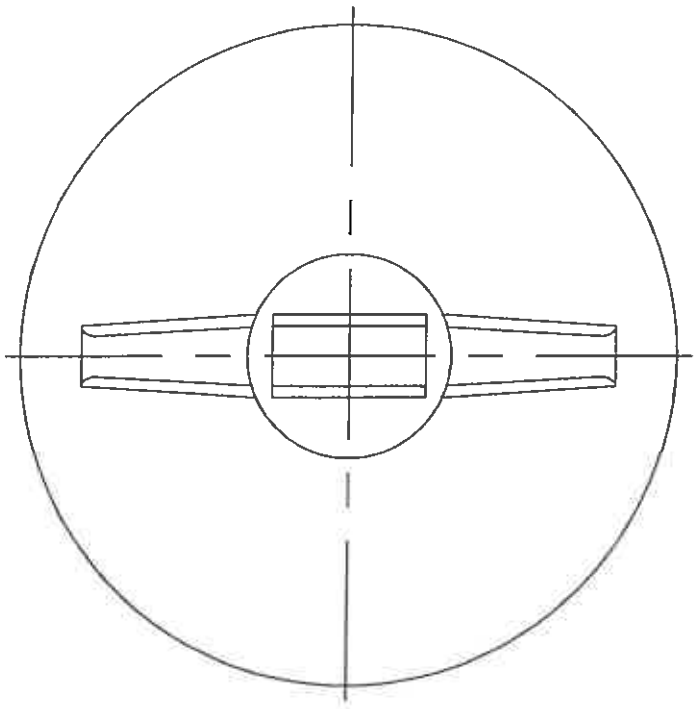


REVISIONS				
ZONE	REV	DESCRIPTION	DATE	APPROVED

60019, AIR VENT ASSY



60012, RING

60011, LID W/ AIR VENT

ANDRIVESCO		ST. BONIFACIUS, MN	
16" LID, RING & FILL CAP		DWG NO. 60038	
JTP	12MAR96	SIZE B	SCALE 1/4"