

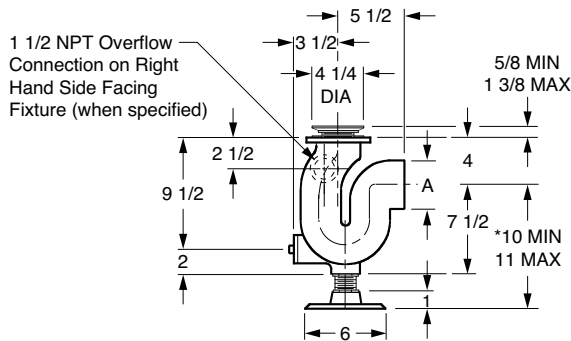
SPECIALTIES, STAINLESS AND CARBON STEEL

FIG. 9110, 9120 ADJUSTABLE "P" TRAP STANDARDS-CAST IRON



CUSTOMER DRIVEN SINCE 1926

FUNCTION: For use with all service sinks.



OPTIONS:

- N15 1 1/2" Overflow Connection (9120 Only)**329.00**
- SS For use with Stainless Steel Sink.....**N/C**

ADD

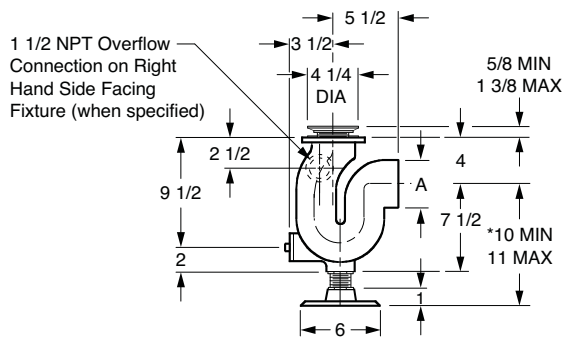
FIGURE NO.	PIPE SIZE	FREE AREA SQ IN	CONNECTION	†ARE INSIDE	ARE INSIDE AND OUTSIDE	APPROX. WT. LBS.
9110	02"	2"	Threaded	871.00	1,142.00	16
9120	03"	2"	Threaded	871.00	1,142.00	22

REGULARLY FURNISHED: Chrome Plated Strainer, Rubber Gasket and Bronze Cleanout Plug. Cast Iron with White Duco Coated Outside and Acid Resistant Coated Inside.

*Roughing shall be coordinated with sink used.

FIG. 9114 TO 9128 ADJUSTABLE "P" TRAP STANDARDS-ALL BRONZE

FUNCTION: For use with all service sinks.



OPTIONS:

- N15 1 1/2" Overflow Connection (9124 thru 9128 Only)**POA**
- SS For use with Stainless Steel Sink.....**N/C**

ADD

FIGURE NO.	PIPE SIZE	FREE AREA SQ IN	CONNECTION	†ALL BRONZE	APPROX. WT. LBS.
▲9114	02"	2"	Threaded	POA	18
▲9116	02"	2"	Sil-Brazed Outlet	POA	18
9118	02"	2"	Sil-Brazed Grooved	POA	18
9124	03"	2"	Threaded	POA	20
9126	03"	2"	Sil-Brazed Outlet	POA	20
9128	03"	2"	Sil-Brazed Grooved	POA	40

REGULARLY FURNISHED: Chrome Plated Strainer, Rubber Gasket and Bronze Cleanout Plug. Bronze Trap as Cast.

*Roughing shall be coordinated with sink used.

▲Conforms to Military Specification MIL S-2143-B Amendment 1

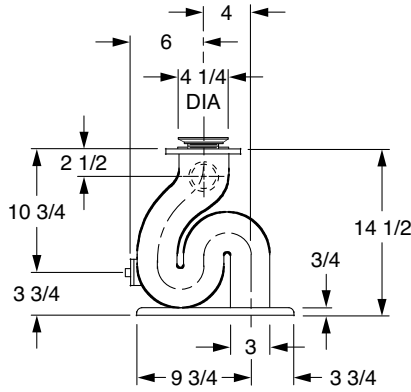
FOR INFORMATION ON POA ITEMS, PLEASE CONTACT YOUR LOCAL JAY R. SMITH REPRESENTATIVE

SPECIALTIES, STAINLESS AND CARBON STEEL

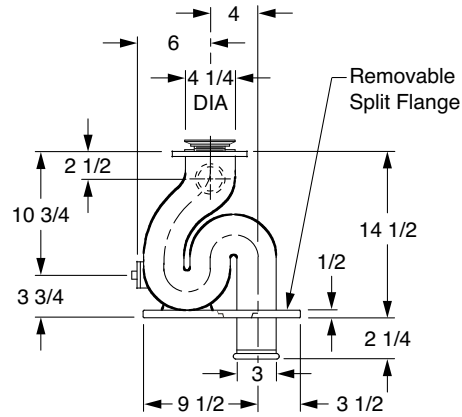
FIG. 9130, 9134, 9140 "S" TRAP STANDARDS-CAST IRON-BRONZE



FUNCTION: For use with all service sinks.



9130



9140

FIGURE NO.	PIPE SIZE	FREE AREA SQ IN	CONNECTION	†ARE INSIDE	ARE INSIDE AND OUTSIDE	ALL BRONZE	APPROX. WT. LBS.
9130	03"	2"	Soil	1,562.00	1,817.00	POA	34
*9134	03"	2"	Soil	-	-	POA	40
9140	03"	2"	Soil	1,642.00	1,897.00	POA	35

OPTIONS:

-N15	1 1/2" Overflow Connection (9130, 9140 Only)	ADD 329.00
-SS	For use with Stainless Steel Sink	N/C

SPECIALTIES

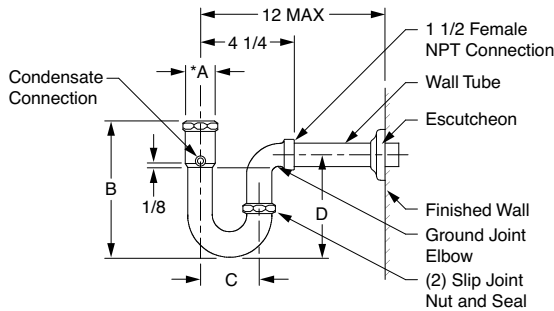
REGULARLY FURNISHED: All Traps with Chrome Plated Strainer, Rubber Gasket and Bronze Cleanout Plug. Cast Iron Traps are White Duco Coated Outside and Acid Resistant Coated Inside. All Bronze Traps are as Cast.

*All Bronze

▲ Conforms to Military Specification MIL S-2143-B Amendment 1.

FIG. 9200 CONDENSATE DRAIN LINE TRAP

FUNCTION: For the collection of condensate from refrigeration or air conditioning equipment. The condensate drains, by gravity, through piping to the tapped inlet on the fixture side of the 9200 trap.



Inlet Outlet Size *A	B	C	D	†17 Gauge Chrome Plated Satin Bronze	17 Gauge Chrome Plated Polished Bronze (-CP)	Approx. Wt. Lbs.
0125 or 0150"	6"	2 7/8"	5"	443.00	533.00	4

REGULARLY FURNISHED: Satin Chrome Plated Cast Bronze P-Trap with Ground Joint Outlet, Threaded Wall Tube, Slip Joint Nuts, Washer, Escutcheon and 1/2" NPT Condensate Connection.

*1 1/4" and 1 1/2" slip joint nuts are provided to accommodate the appropriate fixture tailpiece. Ground joint elbow is threaded 1 1/2" NPT.