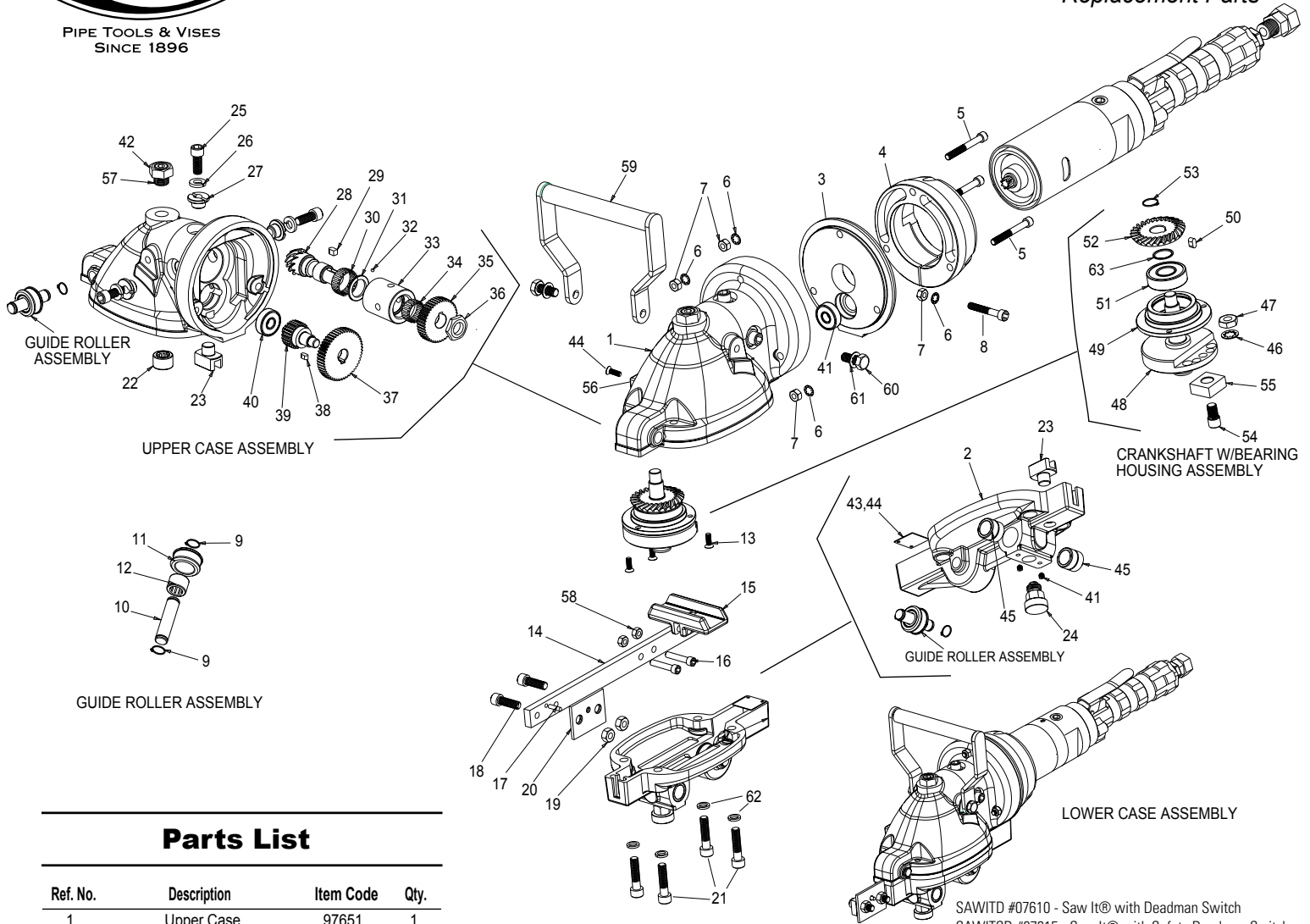




PIPE TOOLS & VISES
SINCE 1896

Saw It® (SAWITD & SAWITSD models)

Replacement Parts



Parts List

Ref. No.	Description	Item Code	Qty.
1	Upper Case	97651	1
2	Lower Case	97650	1
3	End Cover	97653	1
4	End Clamp	97652	1
5	Bolt, SHCS	37667	3
6	Lock Washer	37655	4
7	Hex Nut	37650	4
8	Bolt, SHCS	37666	1
9	Snap Ring	47668	4
10	Guide Shaft	97670	2
11	Guide Roller	97668	2
12	Needle Bearing	47673	2
13	Screw, FHCS	37669	3
14	Rail	97676	1
15	Cam Bracket	97654	1
16	Bolt, SHCS	30302	2
17	Dowel Pin	37659	1
18	Bolt, SHCS	37671	2
19	Nut, Hex	30176	2
20	Clamp Plate	97666	1
21	Bolt, SHCS	37652	4
22	Needle Bearing	47674	1

Ref. No.	Description	Item Code	Qty.
23	Guide Bearing	97671	2
24	Spring Plunger	97678	1
25	Socket Head Cap Screw	32910	3
26	Lock Washer	37657	3
27	Offset Washer	97667	3
28	Gear Shaft	97660	1
29	Shaft Key	37660	1
30	Needle Bearing	47671	1
31	Thrust Washer	37658	1
32	Ball Bearing	37663	22
33	Bearing Housing	97675	1
34	Needle Bearing	47672	1
35	Spur Gear	97662	1
36	Jam Nut	37654	1
37	Helical Gear	97664	1
38	Shaft Key	37662	1
39	Reduction Gear	97663	1
40	Radial Bearing	47670	2
41	Flathead Screw	37673	2
42	Jam Nut	30058	1
43	Cover Plate	97677	1

Ref. No.	Description	Item Code	Qty.
44	Drive Pin	37710	4
45	Handle Bushing	97672	2
46	Lock Washer	37656	1
47	Jam Nut	37653	1
48	Crank Assembly	97674	1
49	Bearing Retainer	97673	1
50	Shaft Key	37661	1
51	Bearing	47669	1
52	Bevel Gear	97661	1
53	Snap Ring	47667	1
54	Bolt, SHCS	97681	1
55	Crank Bearing	97669	1
56	Name Plate	97680	1
57	Set Screw	37739	1
58	Hex Nut	37674	2
59	Bridge Type Handle	97750	1
60	Hex Bolt	37741	2
61	Lock Washer	37742	2
62	Lock Washer	37754	4
63	Internal Retaining Ring	47686	1

*See side 2 for 97674 parts

See also RP-1210-107